

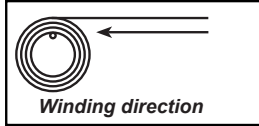
Staple your invoice and control sheet to the leaflet

C97-95



Installation instructions CASSETTE AWNING

Keep out of reach of children



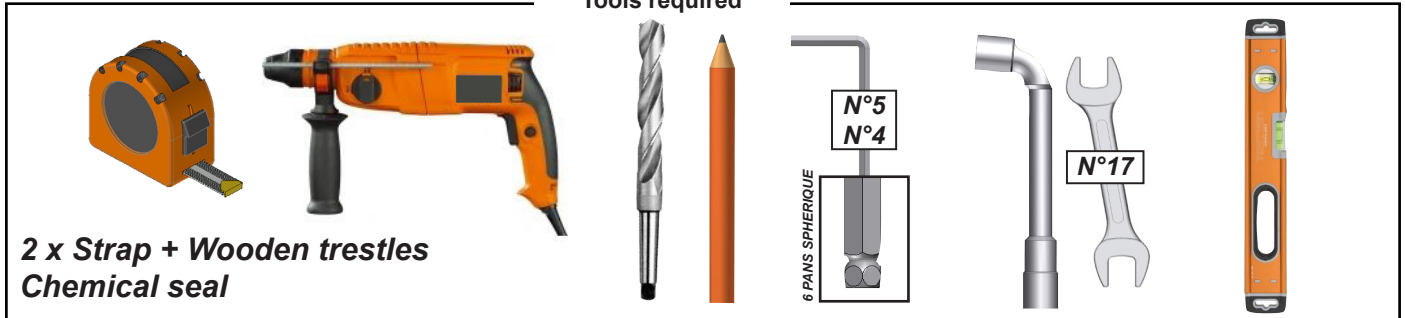
2 people required.

Dimensions 3m x 2m Weight Awning 27 Kg



Important : Standard Awning widths may vary by + or - 2%.

Tools required



ATTENTION



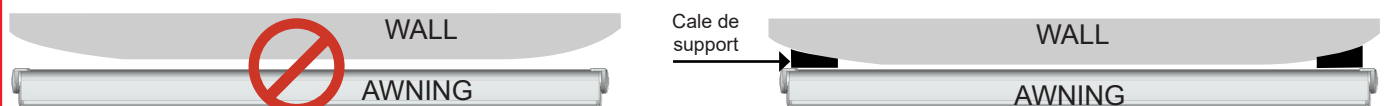
ATTENTION! PLEASE READ THIS INSTALLATION MANUAL BEFORE USING AND INSTALLING THE PRODUCT. KEEP THESE INSTRUCTIONS FOR FUTURE REFERENCE.

- The installation of an Awning must be carried out with care due to its constraints and requires a certain level of skill:
 - Measuring and levelling the supports.
 - Drilling the wall Installing chemical sealants or suitable fixings.
 - Working at height and handling heavy loads.
 - Electrical connection in the case of an electrically operated awning.

If you have any doubts about the correct and safe installation of your awning, call in a professional.

- Awning installation must be carried out to the highest professional standards. A minimum of two people are needed, with personal protective equipment (PPE) and suitable materials. In the event of a problem, please consult a person qualified in this product for assistance.
- Follow the safety instructions to prevent damage from incorrect use! Observe all warnings in the Awning manual and on the Awning itself.
- This product presents a risk of falling and serious personal injury. All the assembly steps must be followed to the letter. If the brackets are misaligned or incorrectly fitted, the awning may fall or break. It is important for personal safety to follow these instructions.
- An Awning is naturally subject to very high mechanical stresses due to the large lever arm (or overhang) between the wall brackets and the Front bar. An Awning is not designed to withstand gusts of wind (even weak ones) and rain (pockets of water), which cause heavy overloads on the structure. If the weather is unfavourable or if you don't need to use the awning, fold it up.
- If the awning weighs more than 25kg per person, use a suitable lifting tool.
- If the awning is more than 5m wide, an extra person should be positioned in the middle.
- Do not allow children to play with the controls. Keep remote control devices out of the reach of children.

WEDGING WALL SUPPORTS

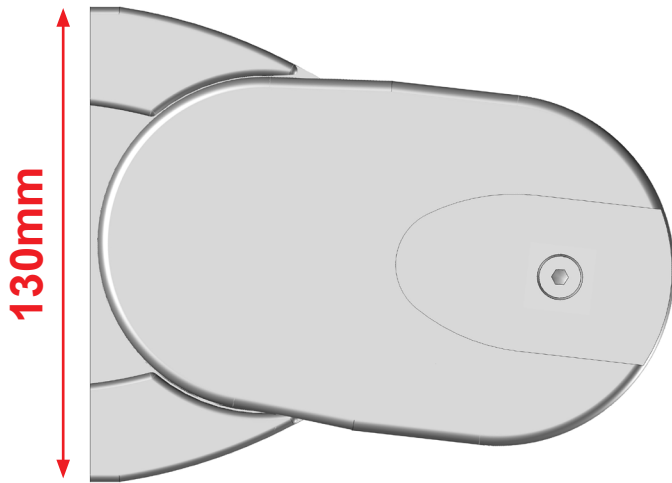


- Check that your wall is flat. If the wall is hollow or curved, shim the brackets so that they are correctly aligned. Incorrect alignment can cause the awning to malfunction, break or fall.

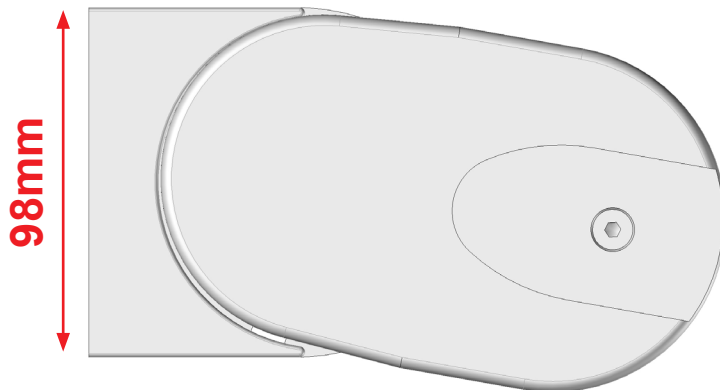
IMPORTANT

Determine the type of installation you want to use by looking at the wall bracket on the product.

SUPPORT 1: Page 3 and 4



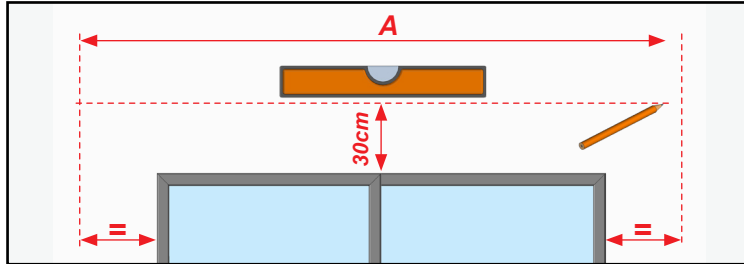
SUPPORT 1: Page 5 and 6



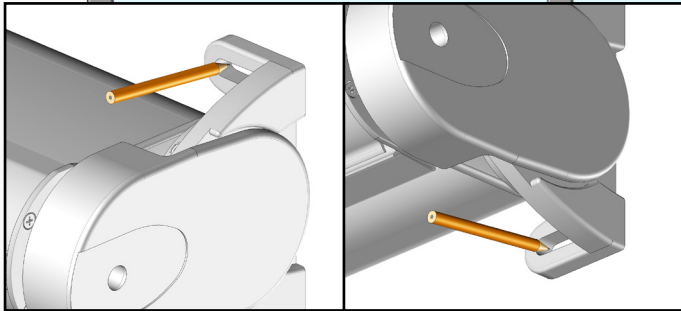
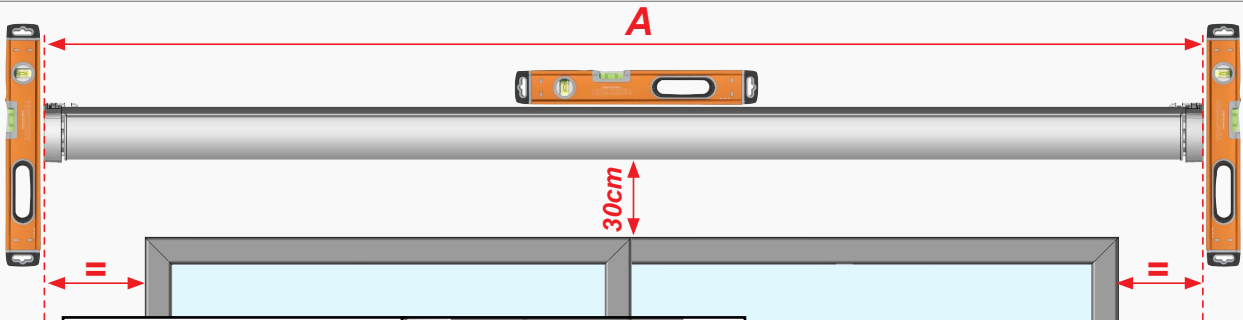
Adjustment or modification operations are identical depending on the type of product version.

SUPPORT 1 WALL INSTALLATION

1 Marking



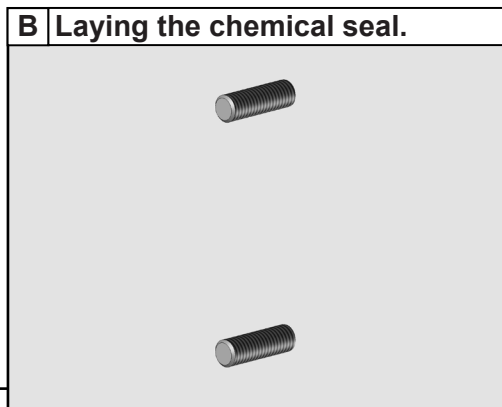
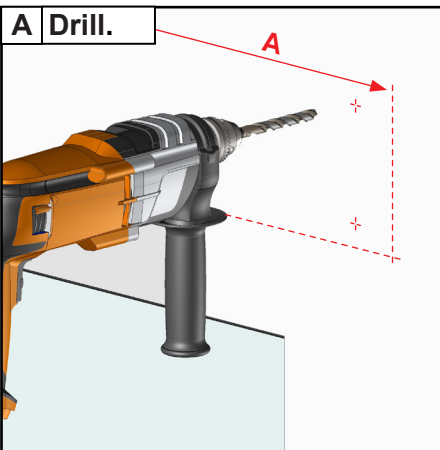
2 Mark the location of the holes.



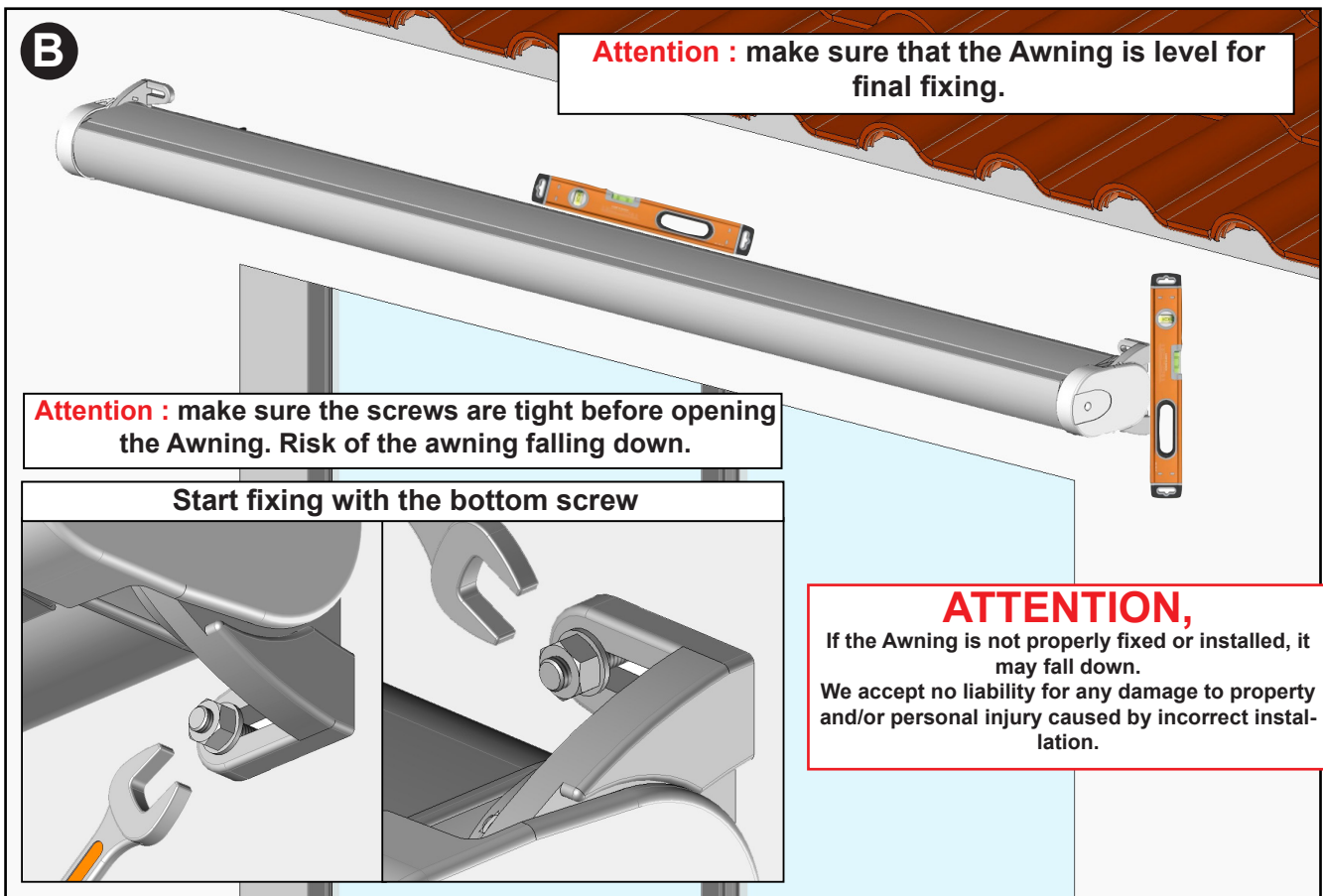
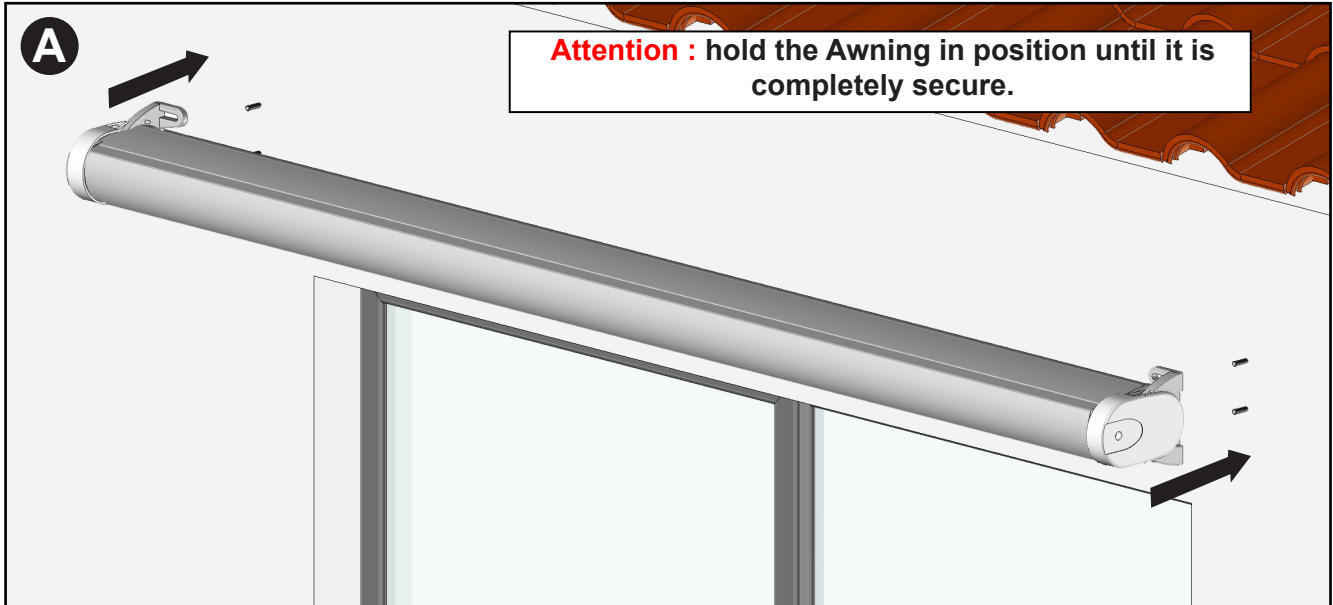
ATTENTION,
If the brackets are misaligned or incorrectly fitted,
the awning may fall.
We accept no liability for any damage to property
and/or personal injury caused by incorrect installa-
tion.

3 Laying the chemical seal.

*Adapt fixing to the type of wall. Fixing with Ø8mm screws.
Screw kit and washers not supplied.
Chemical sealant kit, refer to the instructions for use of
the product used.*



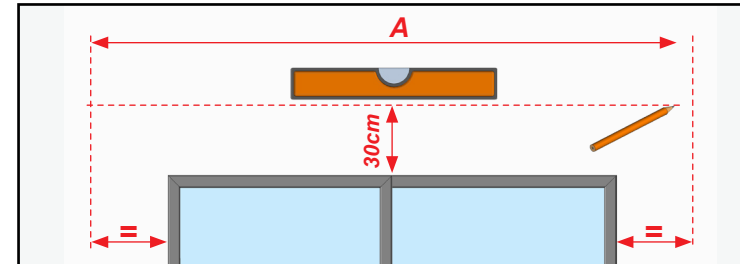
4 Fitting the awning.



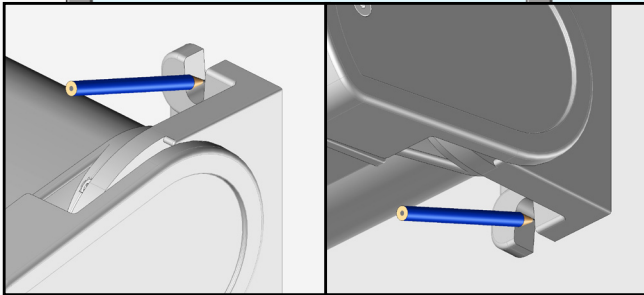
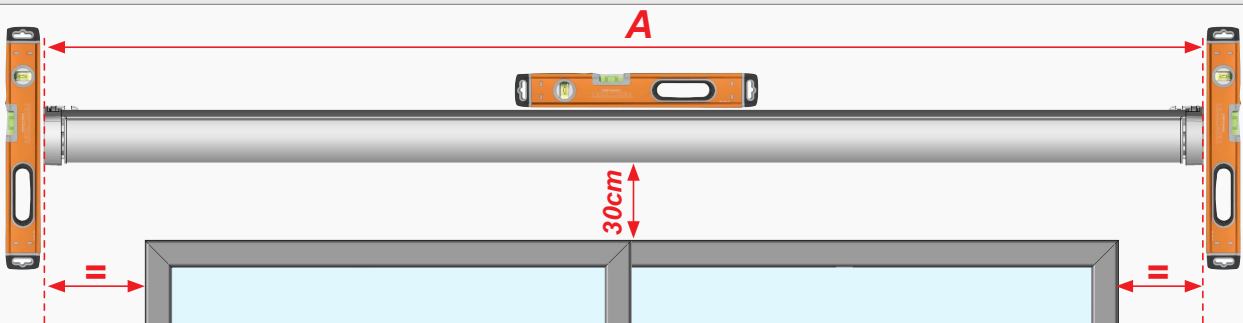
5 Connect the motor. - Refer to the motor manual supplied with the product.

SUPPORT 2 WALL INSTALLATION

1 Marking

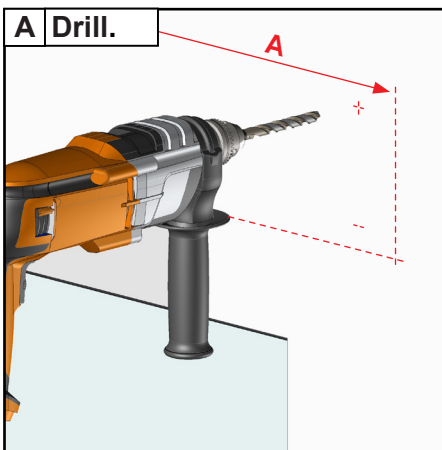


2 Mark the location of the holes.

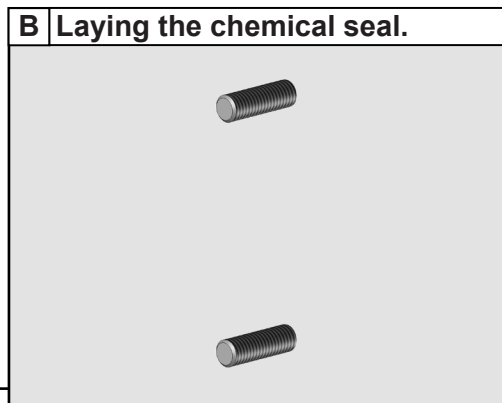


ATTENTION,
If the brackets are misaligned or incorrectly fitted,
the awning may fall.
We accept no liability for any damage to property
and/or personal injury caused by incorrect installa-
tion.

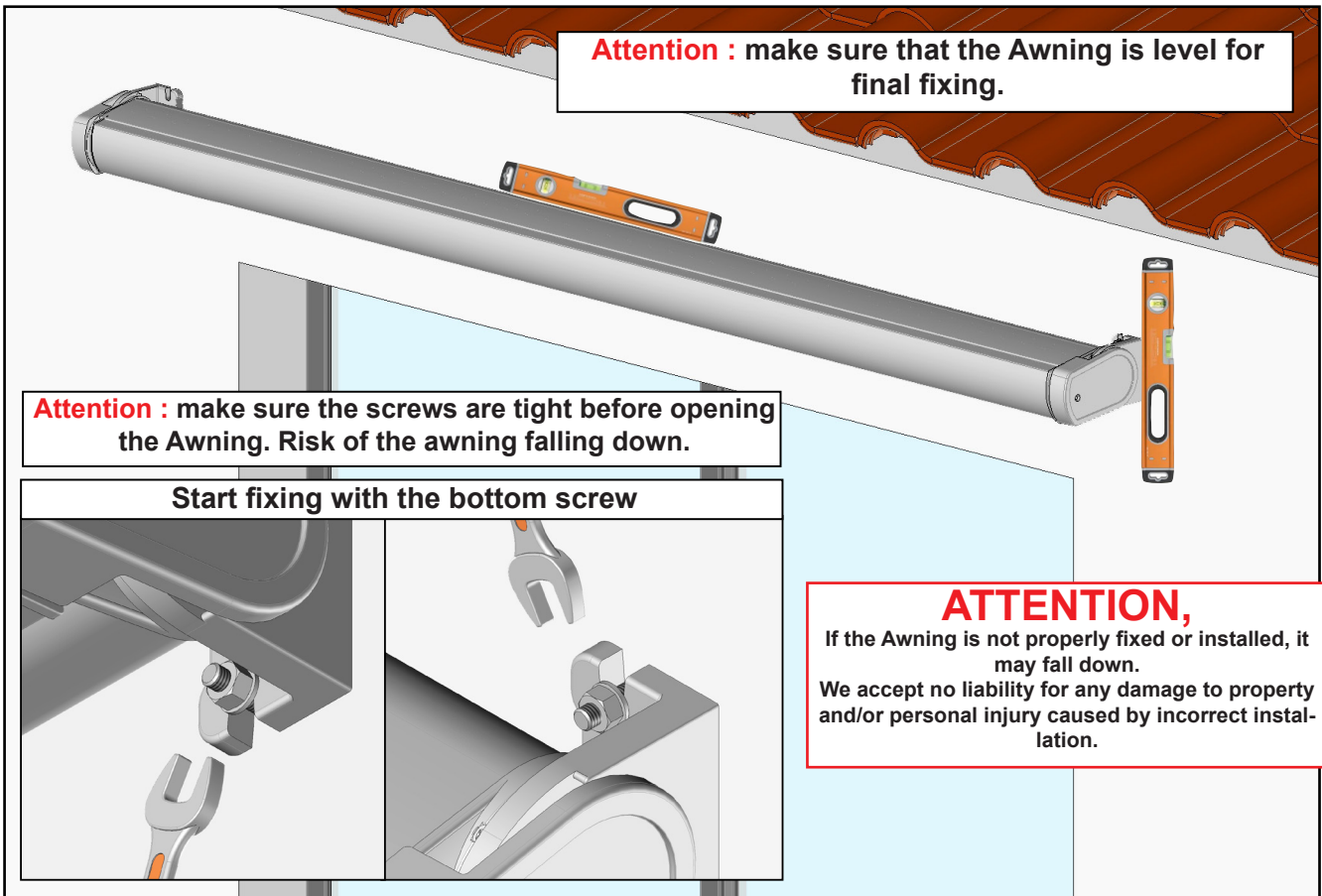
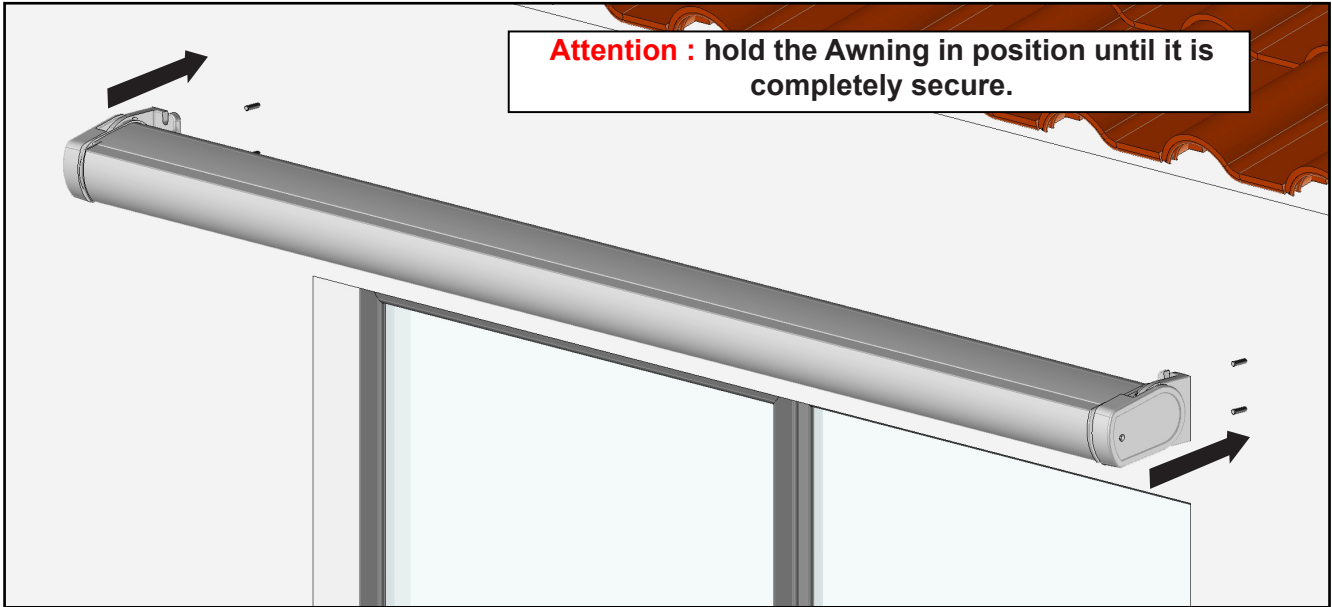
3 Laying the chemical seal.



**Adapt fixing to the type of wall. Fixing with Ø8mm screws.
Screw kit and washers not supplied.
Chemical sealant kit, refer to the instructions for use of
the product used.**



4 Fitting the awning.



5 Connect the motor. - Refer to the motor manual supplied with the product.

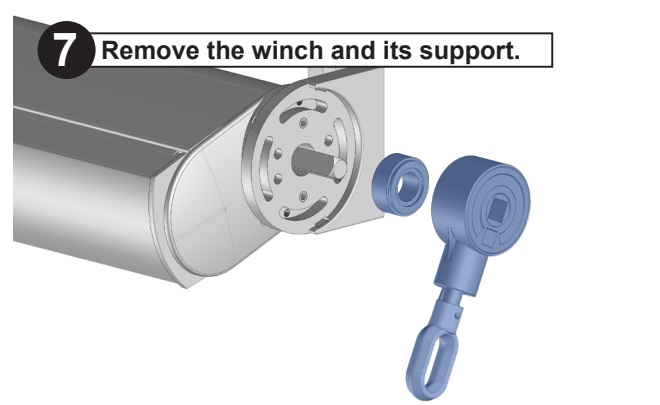
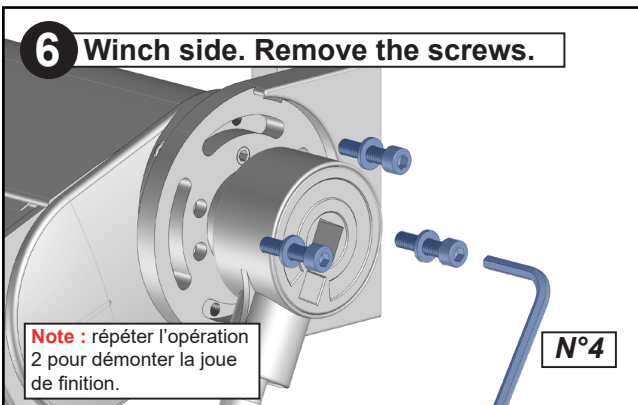
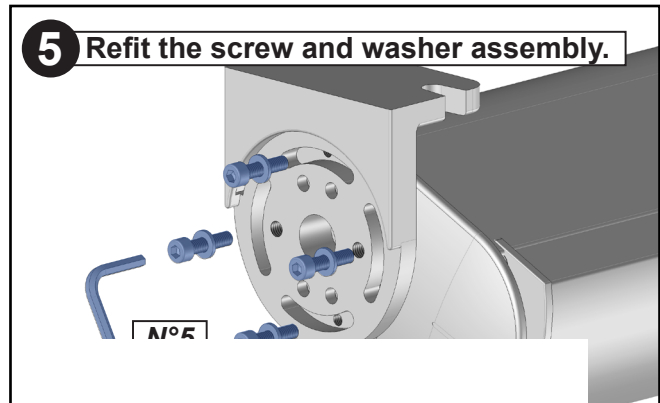
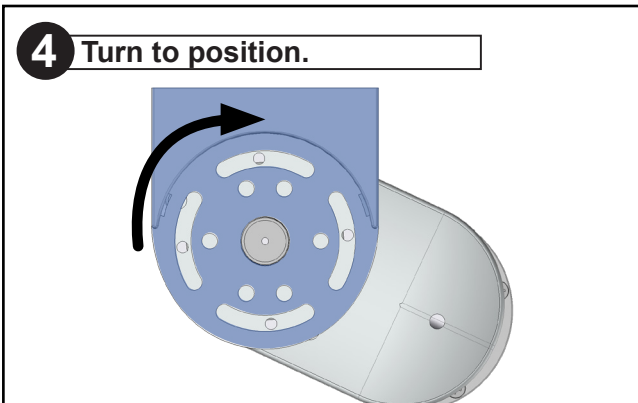
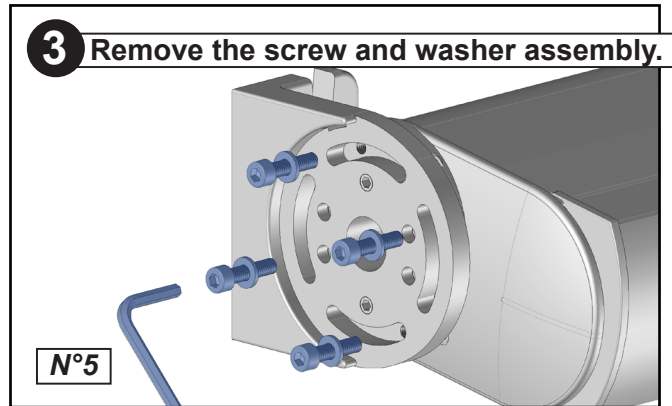
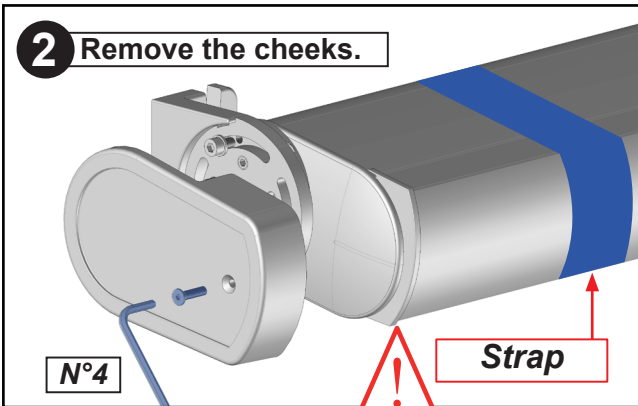
MODIFICATION OF AWNING FOR CEILING INSTALLATION

The Awning is factory-fitted in the face-fixed position. To install the awning in the ceiling fixing position, carry out the operations below on both sides of the awning.

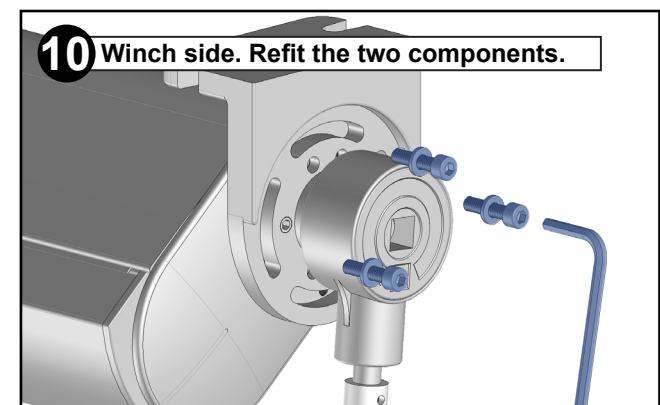
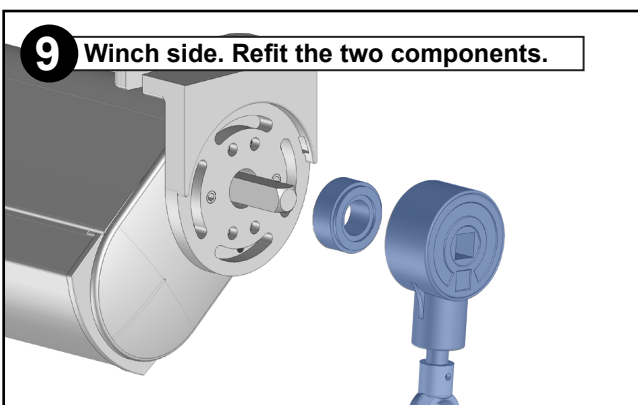
Please note that any knocks or scratches during these operations will not be covered by the guarantee.



1 Place your awning on two wooden trestles and strap the cassette to the Front bar on both sides.



8 Winch side. Repeat the operation **4**



CEILING INSTALLATION: Carry out the same operations as in paragraphs 1 to 6 for Wall installation.

SETTINGS



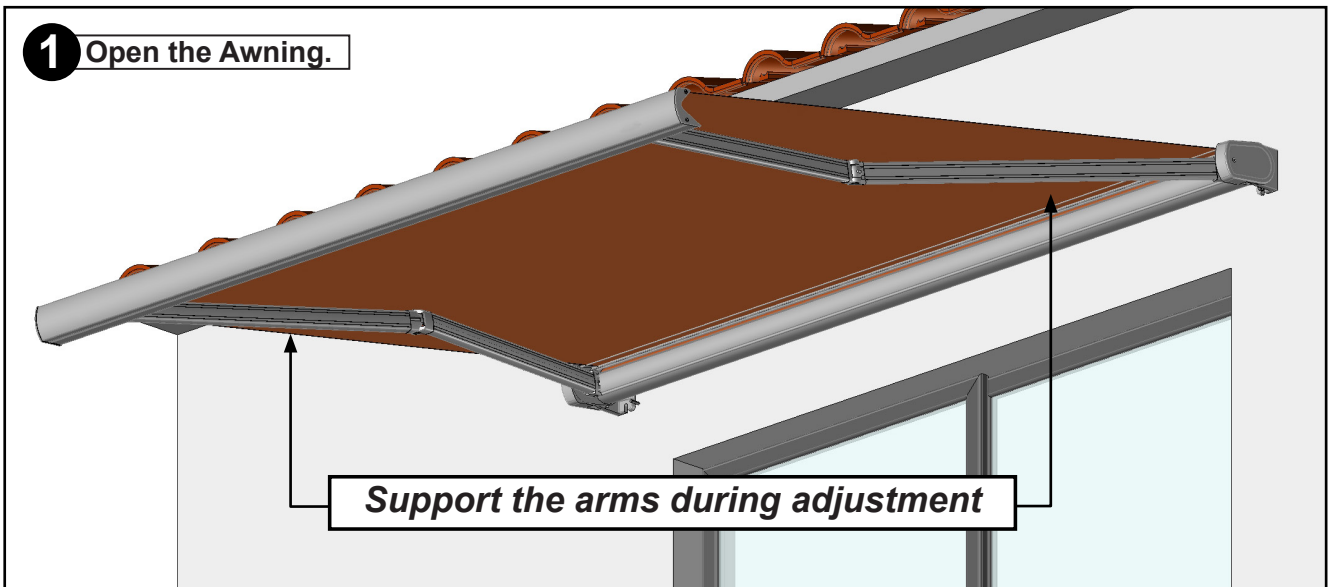
The end-of-stroke, elbow arm, Front bar and tilt settings are pre-set at the factory. However, on-site adjustment may be necessary once installation is complete. If in doubt about the correctness and safety of your adjustment, contact a professional.

During installation, only adjust the tilt of the arms as required.

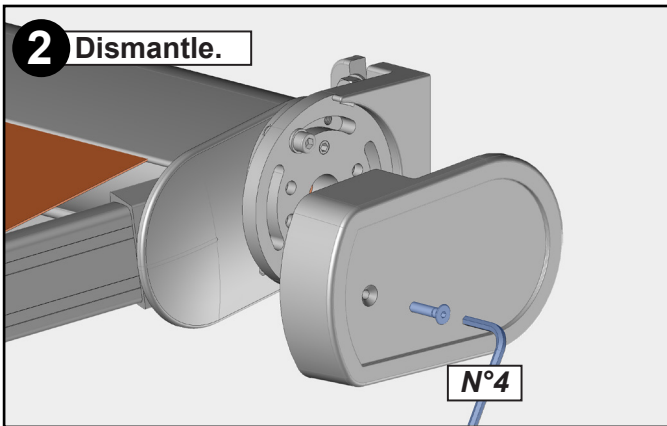


A - Adjustable arm inclination.

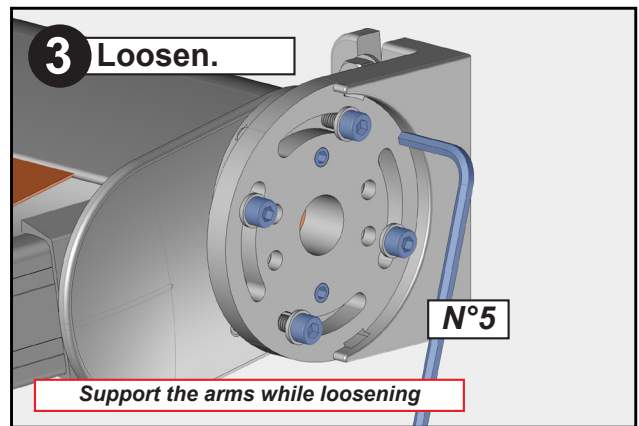
1 Open the Awning.



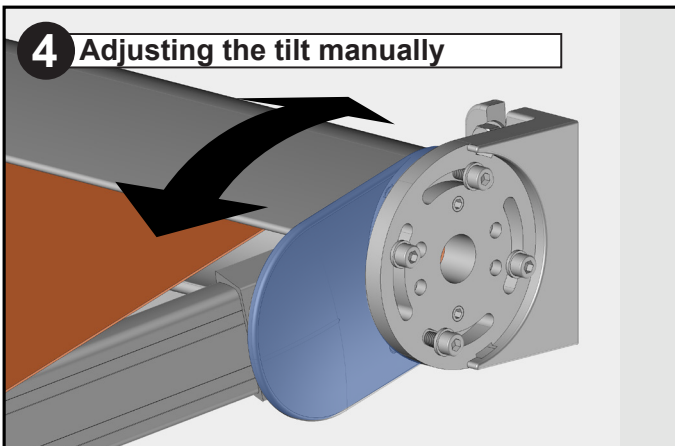
2 Dismantle.



3 Loosen.



4 Adjusting the tilt manually



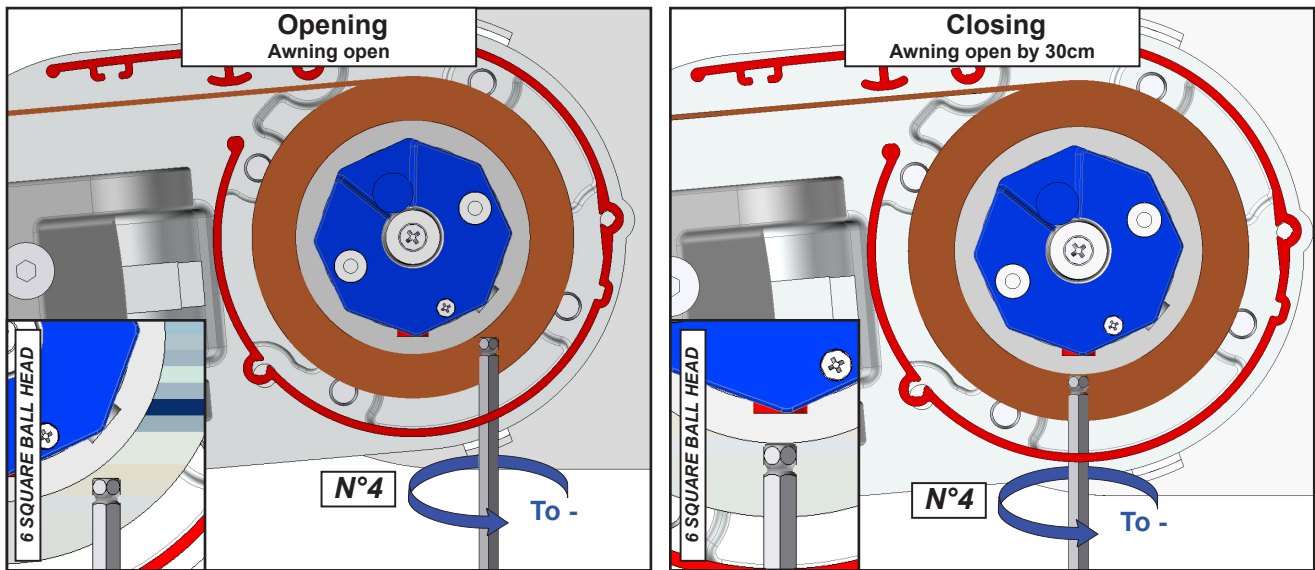
Caution Operation 3: do not unscrew the screws completely.

5 Tighten the screws and refit the finishing cheeks.

All operations must be carried out on both sides of the Awning.

B - Limit switch adjustment.

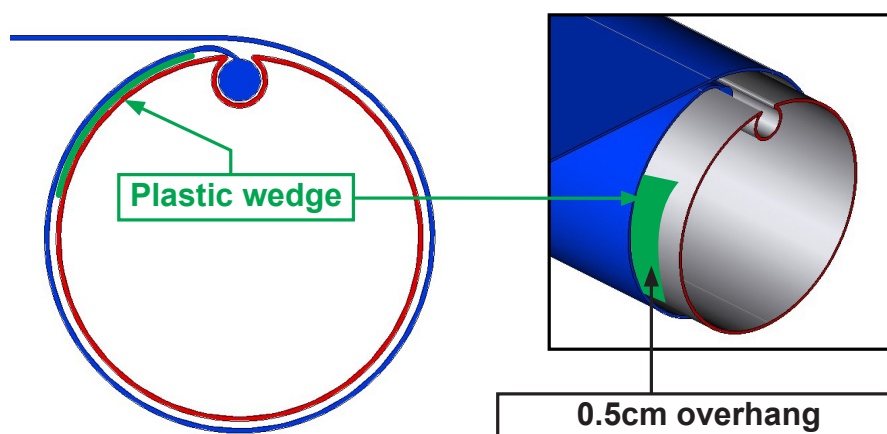
To make the correct setting, find the position of your motor (right or left). The end positions are adjusted with the motor switched on. The fabric unwinds or rolls up by 2 cm with each turn of the key.



Limit switch : Turn the screw towards the '+' for more closing or opening, towards the '-' for less closing or opening. Carry out a test to validate the stop. Warning: the motor will go into thermal protection after 2 successive lifts and 1 successive lowering.

C - Securing the fabric.

- The Front bar does not close on one side of the awning. Open the awning fully, with the fabric slack. Use the emergency manoeuvre for a TMS motor (maximum 5 crank turns). Insert the plastic ring, folded in half, between the Roller tube and the fabric. The plastic ring is positioned under the end seam of the fabric. Check the closure. If the closure is not ideal, repeat the operation but increase the number of folds.



CONSUMER INFORMATION

► What you need to know :

- The Front bar may bend slightly (4 to 5 cm). This is due to the considerable thrust of the arms and may cause a pocket in the fabric.
- A slight difference in the fibre bath or colour of the lacquer may be observed between two Awning if they are not purchased at the same time.
- Creases or mottling may appear. They in no way affect the quality or effectiveness of the Awning.
- Ripples may appear on the fabric. This is due to excess thicknesses caused by hems and seams, which put stress on the Roller tube.
- Only use the emergency manoeuvre to close the Awning in the event of a power cut. Use of the emergency manoeuvre outside these conditions will deprogram the motor limit settings. When using the manoeuvre, make sure that the crank is in line with the emergency socket.
- For an electrical installation with an unstable switch, make sure you leave it in the stop position after each use.

Problems	Causes	Solutions
My Awning is coming off the wall.	Screws not adapted to the composition of the wall.	Check that the brackets are correctly in place (follow the instructions in the leaflet). If fixing with a chemical sealant, refer to the manufacturer's instructions.
My Awning is not level.		Check that the mounting brackets are level. Level again. Check the level of the Front bar. Adjust the tilt of the arms (Adjustment Paragraph A)
Front bar does not close along its entire length	Fabric elongates after several uses.	Adjust the motor limit switches. (Adjustment Paragraph B)
The Front bar does not close on one side of the Awning.	Natural elongation of the fabric.	Shim the fabric using the plastic shims supplied. (Adjustment Paragraph C)
The electric switch no longer works.	The motor goes into thermal protection after 2 successive ascents and descents.	Wait for protection to end (20 minutes)
The electric switch no longer works.	Connection problem.	Check the motor connection Check that the motor is working by connecting it directly to the electrical supply. (blue black or blue brown)

Important : If you have any doubts about the safety of your work, call in a professional.

	EN 13561 : 2015
	MITJAVILA-C95/6/001/060121
For outdoor use in buildings and other structures.	
MITJAVILA D900, KM7, BP99 66602 Rivesaltes cedex 09	AWNING C95 Maximum size L.3.6m x Av.2m CLASSE 0
Total solar energy transmission	$g_{tot} = 0.23$

Other dimensions

L.3m x Av.2m
CLASSE 1

All fabrics

SunWorker $g_{tot} = 0.23$ TELYA II $g_{tot} = 0.23$
TIBELLY $g_{tot} = 0.17$ TELYA III $g_{tot} = 0.25$
DICKSON 0001 : $g_{tot} = 0.19$

Do not deploy the Awning if :





WARNING



- Never open the awning before it has been fully secured. Before opening the awning, you must make sure that the wall brackets and the fixing of the awning to these brackets have been correctly installed and that the arm brackets, Fastener and all other parts of the awning are tight. The awning arms are under tension and could cause injury if opened suddenly. Never open the Awning with a torn fabric.
- Check that your wall is flat. If the wall is hollow or curved, shim the supports to align them correctly. Incorrect alignment can cause the awning to malfunction, break or fall.
- Do not operate the Awning when maintenance operations, such as window cleaning, are in progress. Disconnect the Awning from the power supply when maintenance operations are in progress.
- Do not allow children to play with the controls. Keep the remote control devices out of the reach of children. Supervise your children to ensure that they do not play with the awning or the remote control.
- Watch your fingers during installation.
- No changes to the design or configuration of the equipment should be made without prior consultation with the manufacturer.
- Never use accessories not recommended by the manufacturer. These could create risks for the user and damage the Awning. Only use original parts and accessories.
- If the Awning is to be stored, it must be stored under cover in a dry, dry environment.
- Do not use the Awning in areas subject to vibrations or impulses.
- Use the correct fixings for the material of your façade. Ask a specialist for advice. Fixing hardware is not supplied.
- There must be a horizontal distance of at least 0.4 m between the fully extended awning and any fixed object.
- Do not unpack the Awning using tools that could scratch it.
- Never sleep with the awning open, as a sudden change in the weather could cause the awning to fall down.

USING THE AWNING :

- Do not use the Awning in adverse weather conditions. Use in freezing conditions may damage the Awning. Do not use the Awning on rainy days. In these cases, the Awning must be in the folded position.
- Take care when unfolding the awning, as it can quickly fall down if it is weakened or damaged. Never use the awning if it is damaged. Disconnect the awning from the power supply (switch or fuse), then contact a specialist.
- Only use the Awning for its intended purpose.
- We accept no liability for damage caused by incorrect use or failure to follow the instructions.
- Do not hang anything on the frame or folding arms of the Awning. It could fall and cause material damage and/or personal injury.
- Do not hang from the awning frame or folding arms. It could fall and cause material damage and/or personal injury.
- Make sure you leave enough space around the awning when you roll or unroll it.
- When you first open the awning, open it 50cm and check that the screws and nuts on the wall brackets, arm brackets and fasteners are tight. Do not open the Awning if any screws are loose.
- Do not use a barbecue under the awning or light a fire nearby.

AWNING ADJUSTMENT :

- The end-of-stroke, arm bend, Front bar and tilt settings are pre-set at the factory.
- Awning adjustment must be carried out with care because of the constraints involved, and requires a certain level of skill. If you have any doubts about the correctness and safety of your adjustment, call in a professional.
- After making any changes to the settings, make sure that all the awning components are properly tightened.
- Incorrect adjustment can lead to improper use of the Awning and cause it to deteriorate.
- If the Front bar is not level, the awning does not close properly or the arm elbows are out of alignment, the awning must be adjusted.
- Do not use the Awning if adjustment is necessary.

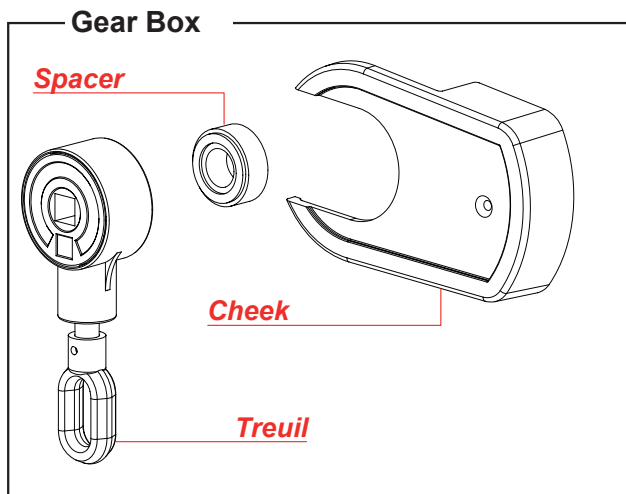
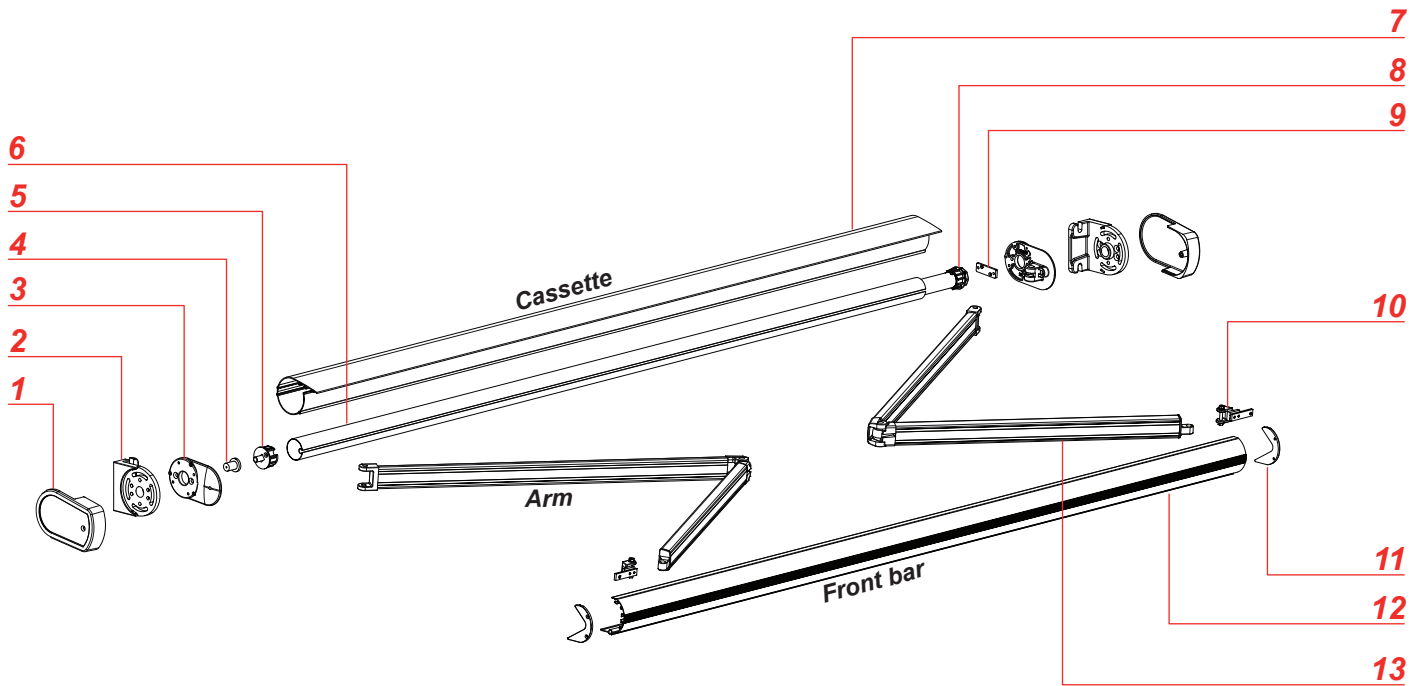
REPAIR AND MAINTENANCE :

- Never attempt to dismantle or repair an Awning without the necessary qualifications. Call in a professional to carry out any necessary repairs.
- Do not use the Awning if a repair is required.
- Check the installation frequently throughout the year to detect any imbalance or signs of wear to the awning parts or fabric.
- Check the awning's wall fixings, arm support clamp screws and arm fastener clamp screws frequently throughout the year.
- Do not roll up a wet fabric; dry it as soon as possible. Risk of mould.
- Clean the fabric and frame at the beginning and end of the season. Do not use detergents.

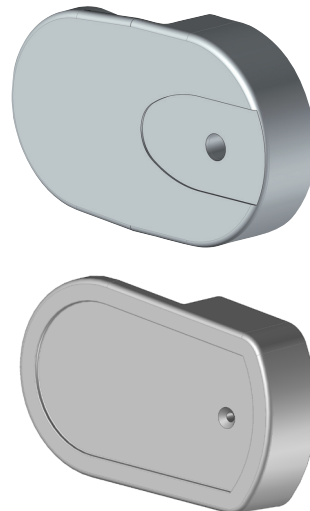
ELECTRICAL PART :

- Before handling, make sure that the electricity supply is switched off. Danger of electrocution.
 - If the power cable is damaged, it must be replaced by a qualified person (after-sales service or electrician) to avoid danger. The power cable for this actuator may only be replaced with the same type of cable (same wire cross-section and same protection rating).
 - The actuator is intended to be installed at a height of at least 2.5 m from the ground or any other level of access.
 - The electrical wires must be connected in accordance with the electrical standards in force in France (standard NF C 15100). If in doubt, contact an approved electrician.
 - Before connecting the Awning to a power source, check that the voltage of this power source and the rated voltage correspond to the power supply specifications in the manual.
 - Do not get the control box wet. The automated system must be positioned away from bad weather.
- Do not allow children to play with the control unit.

EXPLODED VIEW



2 different finishes



Reference	Designation
1	Finishing plug
2	Wall mounting flange
3	Arm support cheek
4	Flanged spacer
5	Plastic pin end plug, round shaft Ø48mm
6	Roller tube Ø48mm
7	Cassette profile
8	Motor
9	Motor support
10	Arm fastener
11	Front bar profile plug
12	Front bar profile
13	Arm