

Staple your invoice and control sheet to the leaflet

L125



Installation instructions AWNING LOGGIA



Minimum 2 people required.

Keep out of reach of children



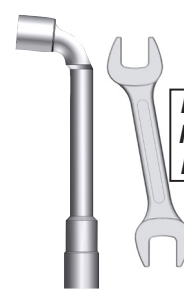
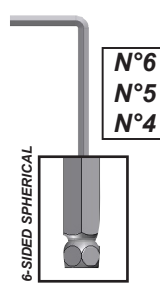
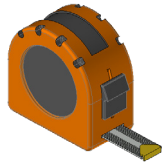
| Dimensions | Mass Awning |
|------------|-------------|
| 3m x 2m | 35 Kg |
| 4m x 3m | 44 Kg |
| 4.8m x 3m | 62 Kg |

Awning weight in excess of 25kg per person: use suitable lifting equipment.
If the awning is more than 5 m wide, an additional person should be positioned in the centre.



Important : Standard Awning widths may vary by + or - 2%.

Tools required



2 x Strap + Wooden trestles



ATTENTION



ATTENTION! PLEASE READ THIS INSTALLATION MANUAL BEFORE USING AND INSTALLING THE PRODUCT. KEEP THESE INSTRUCTIONS FOR FUTURE REFERENCE.

- The installation of an Awning must be carried out with care due to its constraints and requires a certain level of skill:
 - Measuring and levelling the supports.
 - Drilling the wall installing chemical sealants or suitable fixings.
 - Working at height and handling heavy loads.
 - Electrical connection in the case of an electrically operated awning.

If you have any doubts about the correct and safe installation of your awning, call in a professional.

- Awning installation must be carried out to the highest professional standards. A minimum of two people are needed, with personal protective equipment (PPE) and suitable materials. In the event of a problem, please consult a person qualified in this product for assistance.
- Follow the safety instructions to prevent damage from incorrect use! Observe all warnings in the Awning manual and on the Awning itself.
- This product presents a risk of falling and serious personal injury. All the assembly steps must be followed to the letter. If the brackets are misaligned or incorrectly fitted, the awning may fall or break. It is important for personal safety to follow these instructions.
- An Awning is naturally subject to very high mechanical stresses due to the large lever arm (or overhang) between the wall brackets and the Front bar. An Awning is not designed to withstand gusts of wind (even weak ones) and rain (pockets of water), which cause heavy overloads on the structure. In the event of bad weather or when you are not using the awning, fold it up.
- If the awning weighs more than 25kg per person, use a suitable lifting tool.
- If the awning is more than 5m wide, an extra person should be positioned in the middle.
- Do not allow children to play with the controls. Keep remote control devices out of the reach of children.

WEDGING WALL SUPPORTS



Cale de support

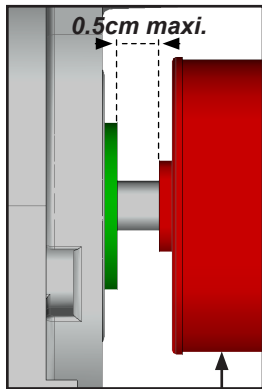


- Check that your wall is flat. In the case of a hollow or curved wall, shim the supports so that they are correctly aligned. Incorrect alignment can cause the awning to malfunction, break or fall.

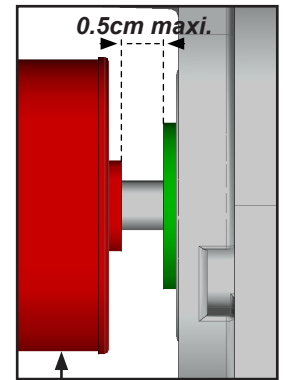
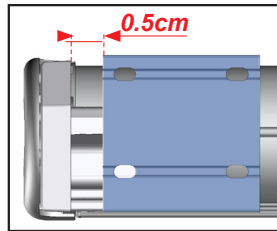
WALL INSTALLATION

1 Taking measurements.

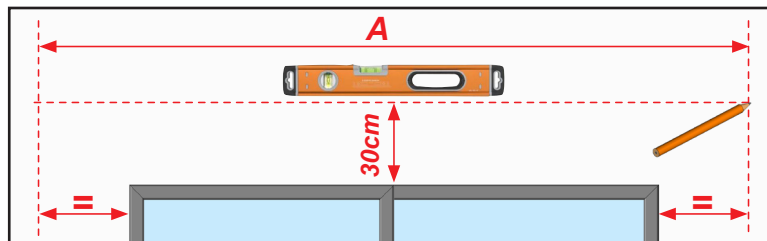
Unpack the Awning by a maximum of 20 cm on each side. Make sure that the gap between the Pin end plug and the support does not exceed 0.5 cm. Pre-assemble the brackets and take the measurements.



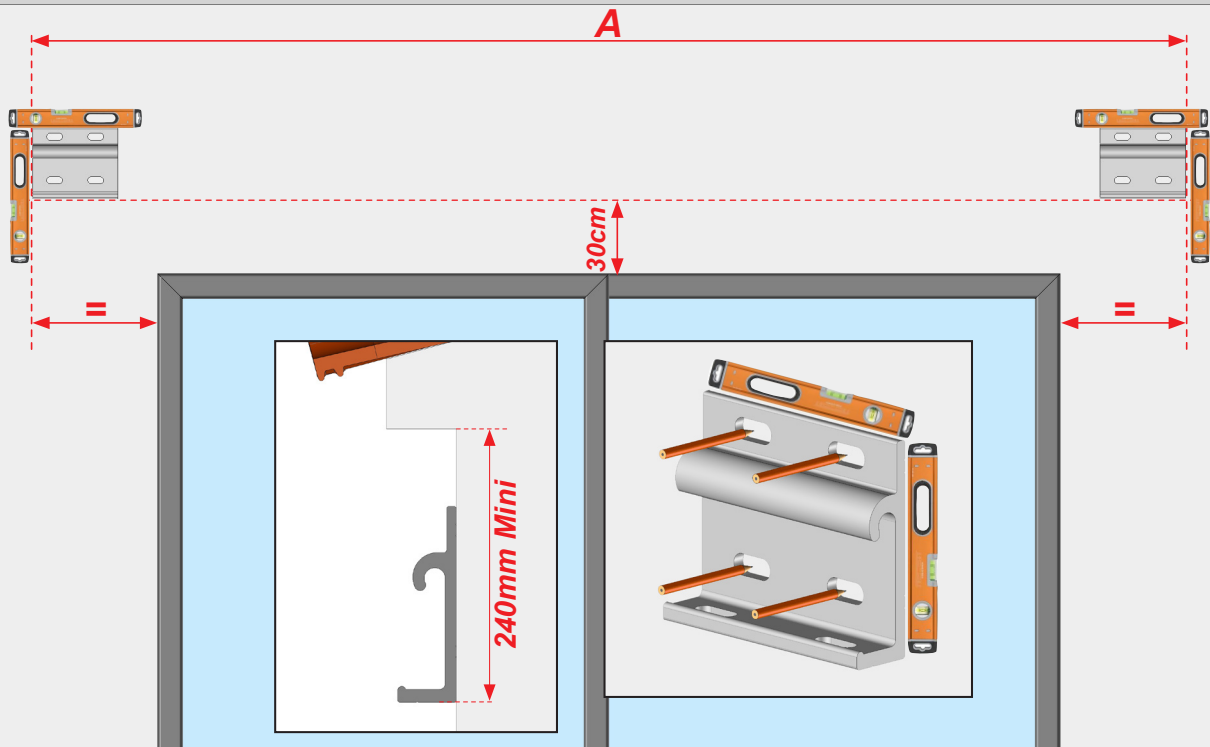
PIN END PLUG



PIN END PLUG

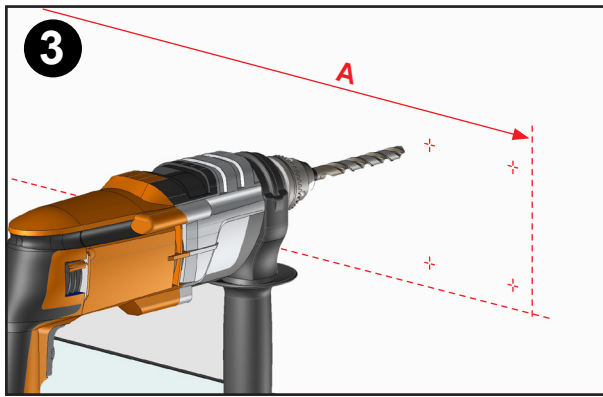


2 Mark the location of the holes.




ATTENTION,

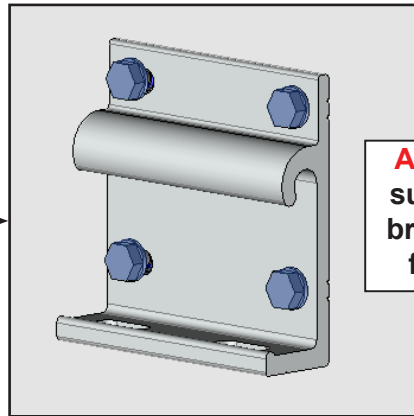
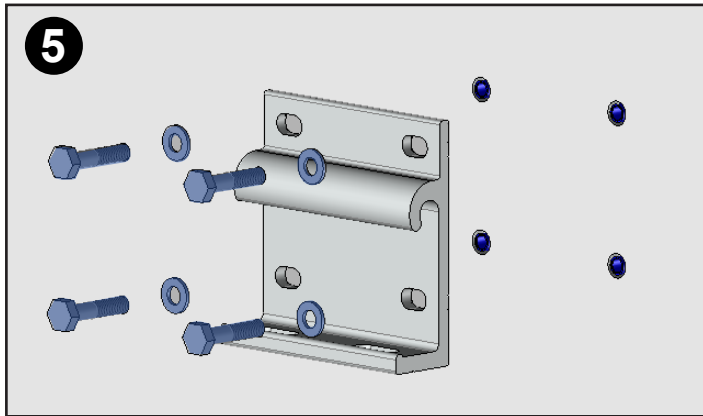
If the brackets are misaligned or incorrectly fitted, the awning may fall. We accept no liability for any damage to property and/or personal injury caused by incorrect installation.



4

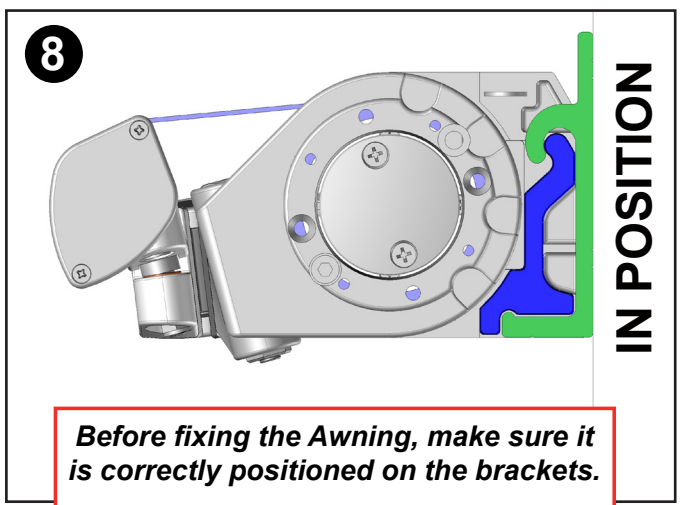
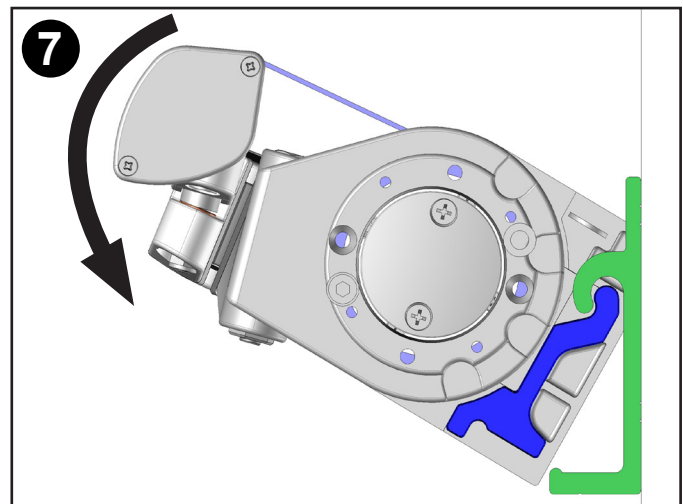
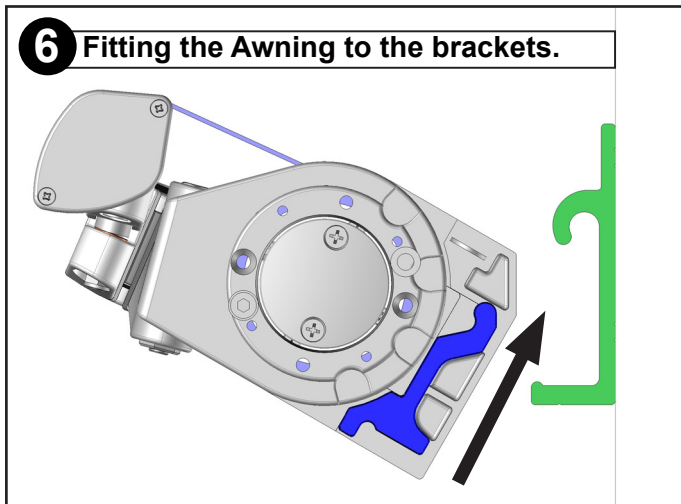


Adapt the fixing of the brackets to the nature of the wall.
Fixing with $\varnothing 10$ mm screws. Screw kit and washer not supplied.
When installing the Awning using a chemical sealant kit, refer to the instructions for use of the product used.

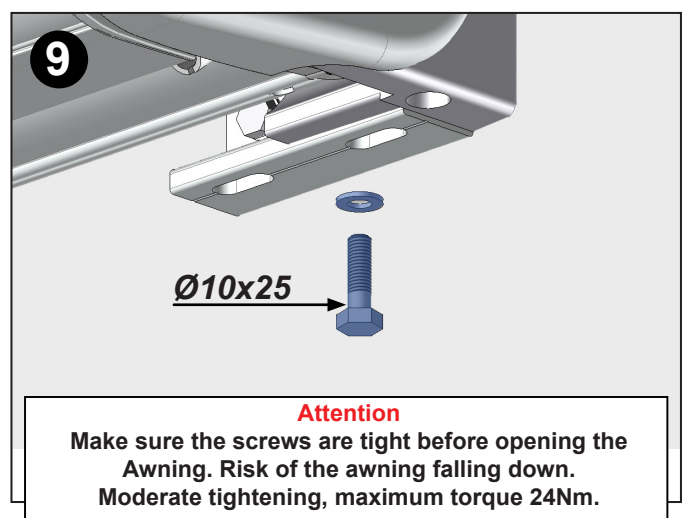


Attention : make sure that the wall brackets are level for final fixing.

Note : For reasons of clarity, the finishing cheek is not shown on the drawings.



Before fixing the Awning, make sure it is correctly positioned on the brackets.



Attention
Make sure the screws are tight before opening the Awning. Risk of the awning falling down.
Moderate tightening, maximum torque 24Nm.

ATTENTION,
If the Awning is not properly fixed or installed, it may fall down.
We accept no liability for any damage to property and/or personal injury caused by incorrect installation.

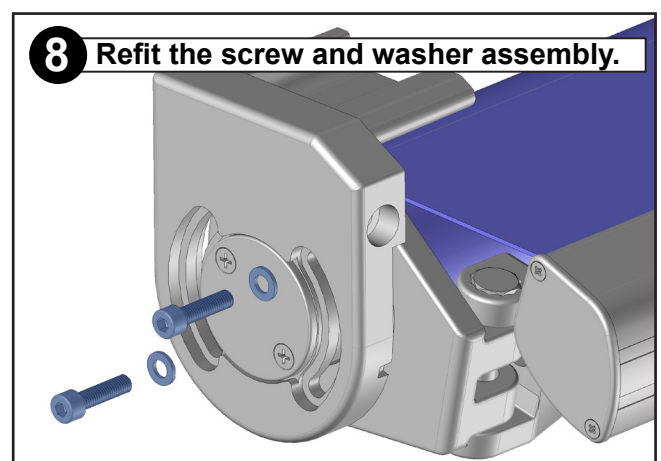
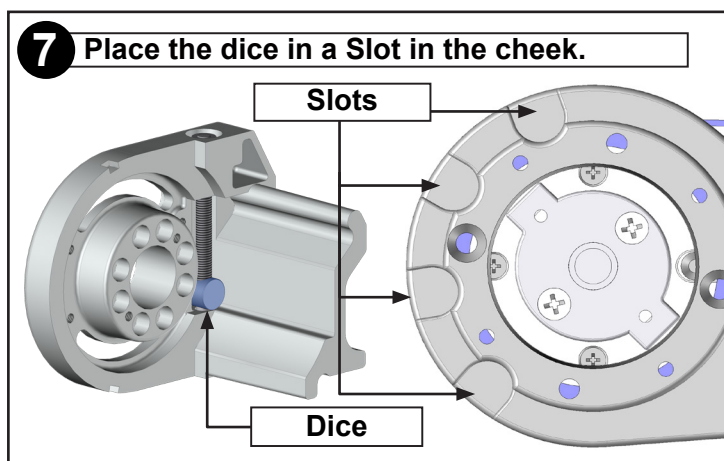
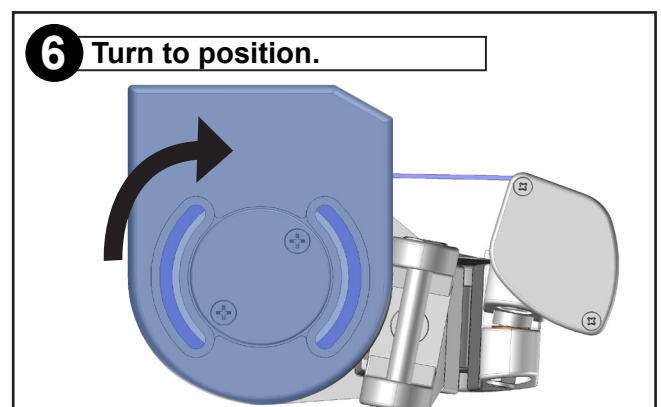
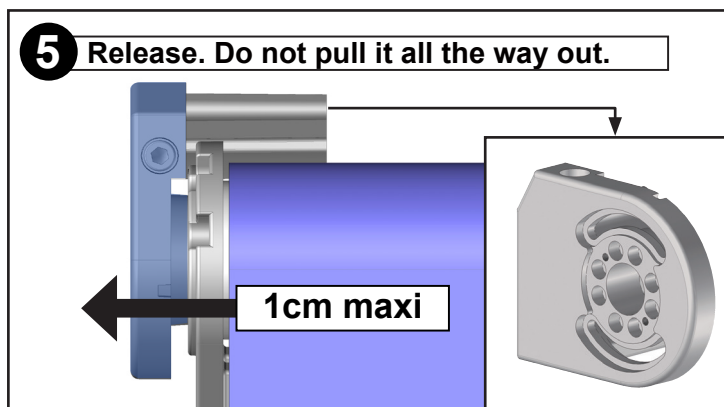
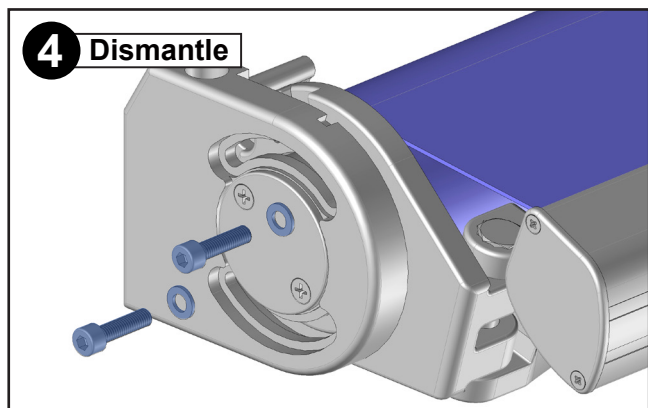
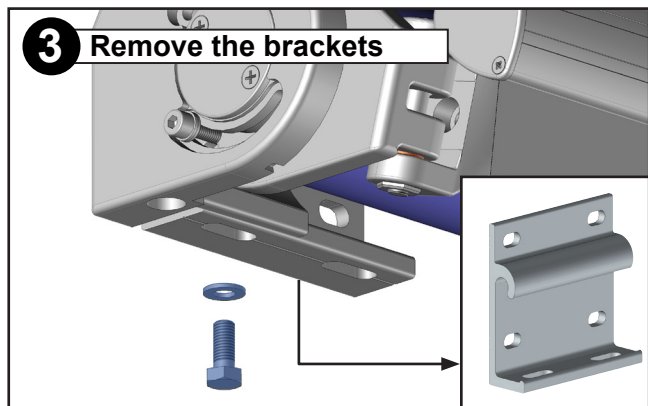
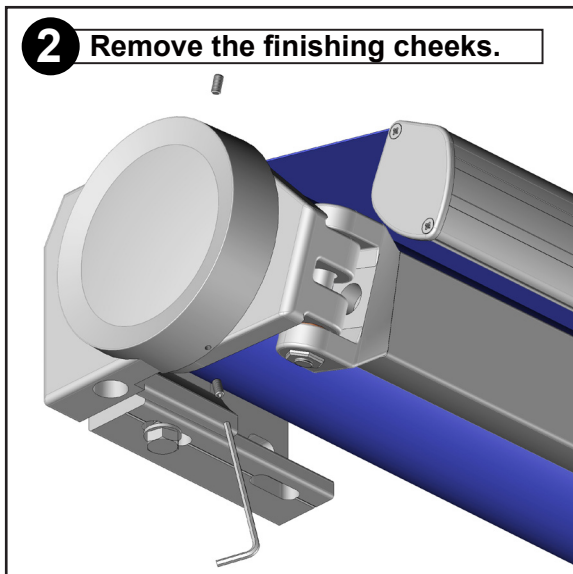
MODIFICATION OF AWNING FOR CEILING INSTALLATION

The Awning is factory-fitted in the face-fixed position. To install the awning in the ceiling fixing position, carry out the operations below on both sides of the awning.

Please note that any knocks or scratches during these operations will not be covered by the guarantee.



1 Place your awning on two wooden trestles and strap the cassette to the Front bar on both sides.

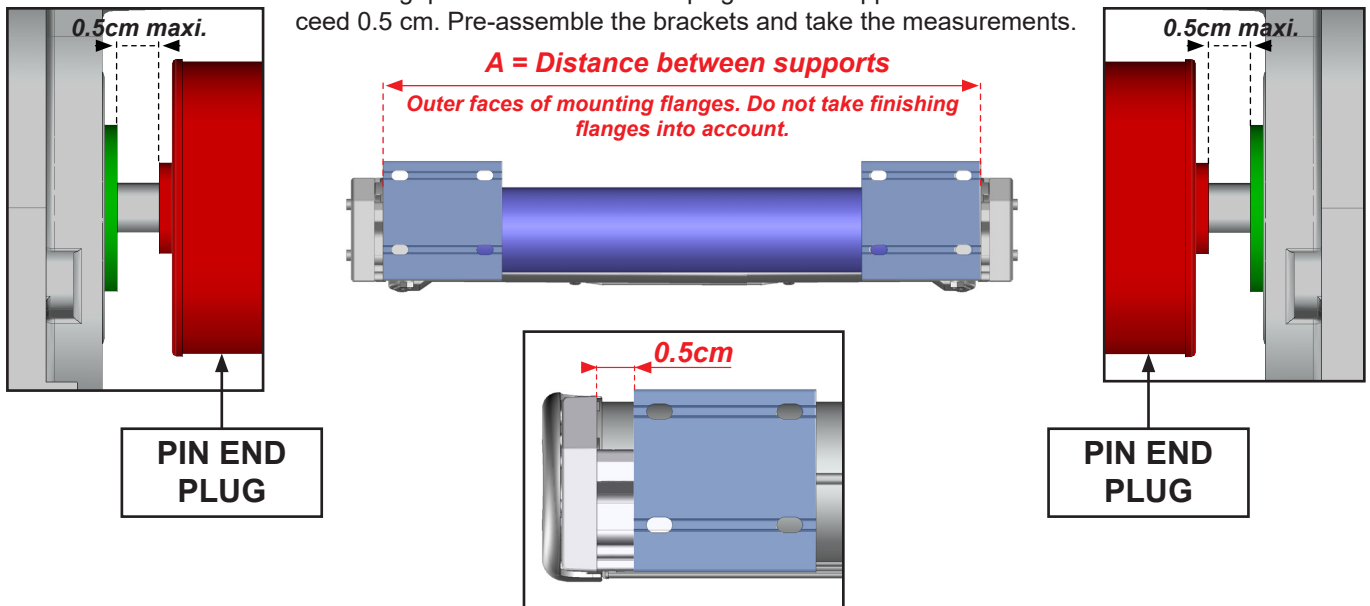


9 Refit the finishing cheek.

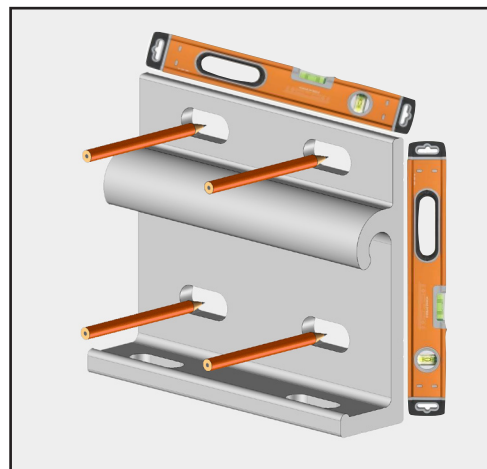
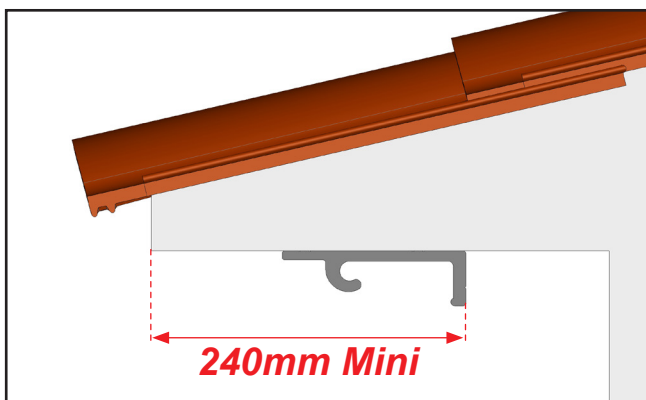
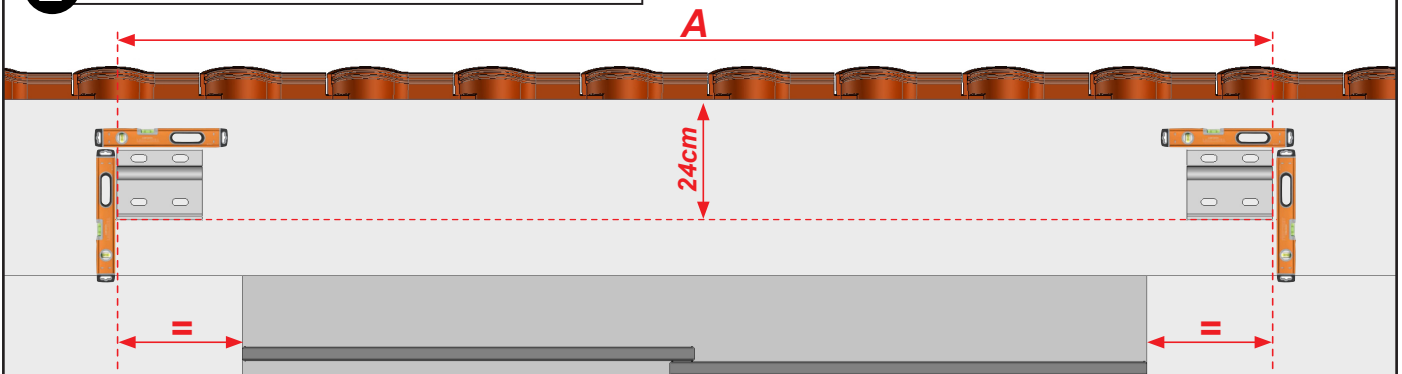
CEILING INSTALLATION

1 Taking measurements.

Unpack the Awning by a maximum of 20 cm on each side. Make sure that the gap between the Pin end plug and the support does not exceed 0.5 cm. Pre-assemble the brackets and take the measurements.

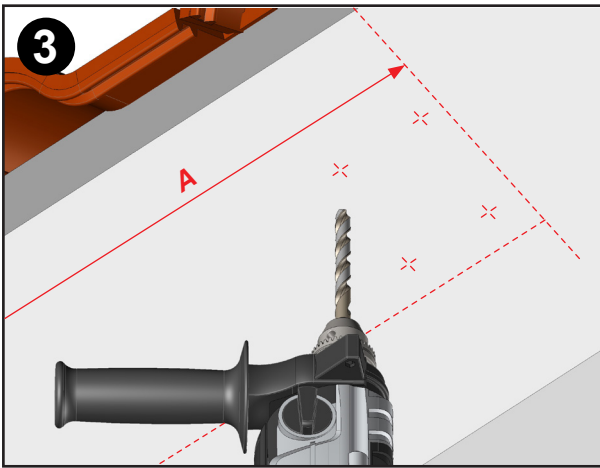


2 Mark the location of the holes.




ATTENTION,

If the brackets are misaligned or incorrectly fitted, the awning may fall.
We accept no liability for any damage to property and/or personal injury caused by incorrect installation.

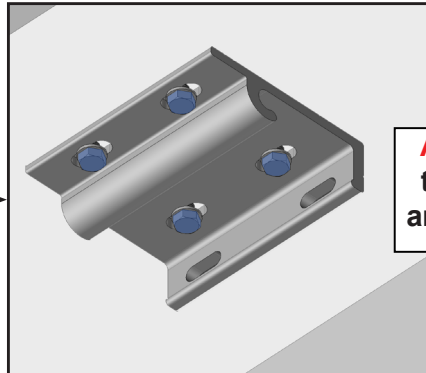
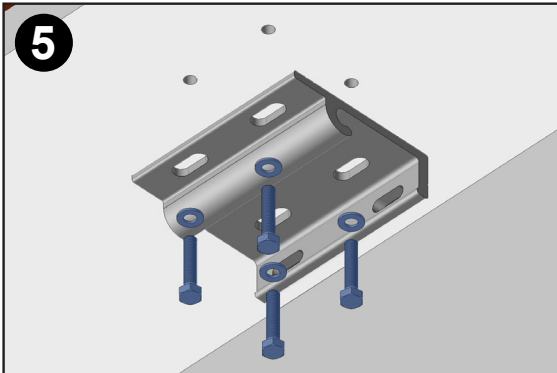


4

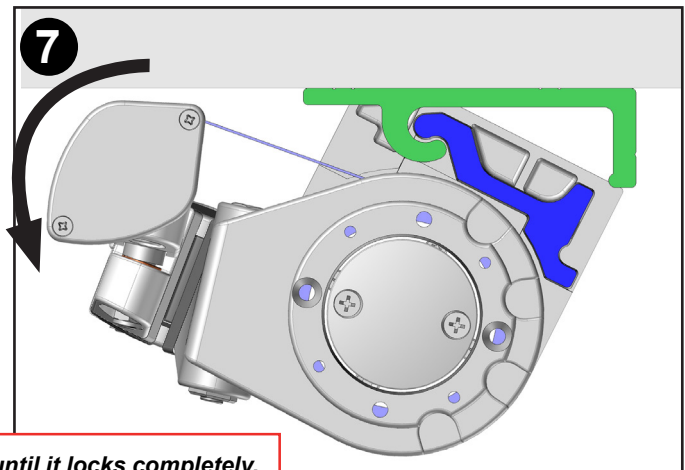
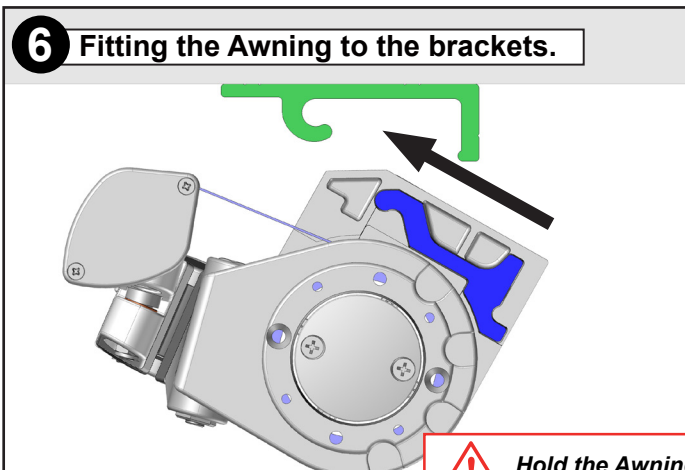


**Adapt the fixing of the brackets to the nature of the wall.
Fixing with Ø10mm screws. Screw kit and washer not supplied.**

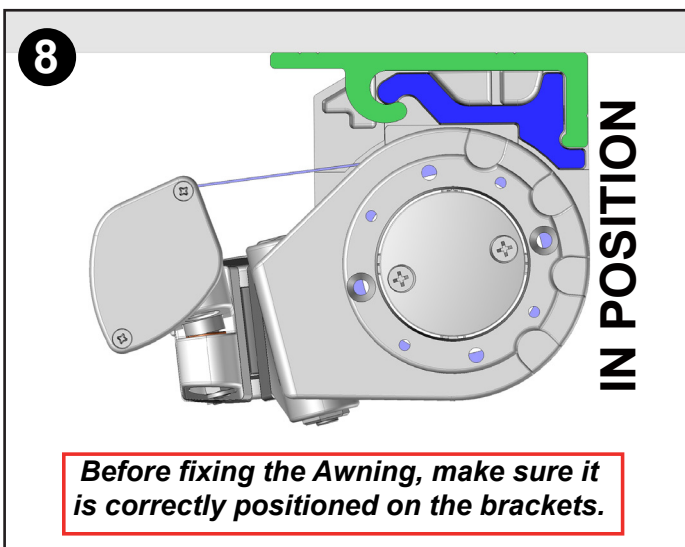
When installing the Awning using a chemical sealant kit, refer to the instructions for use of the product used.



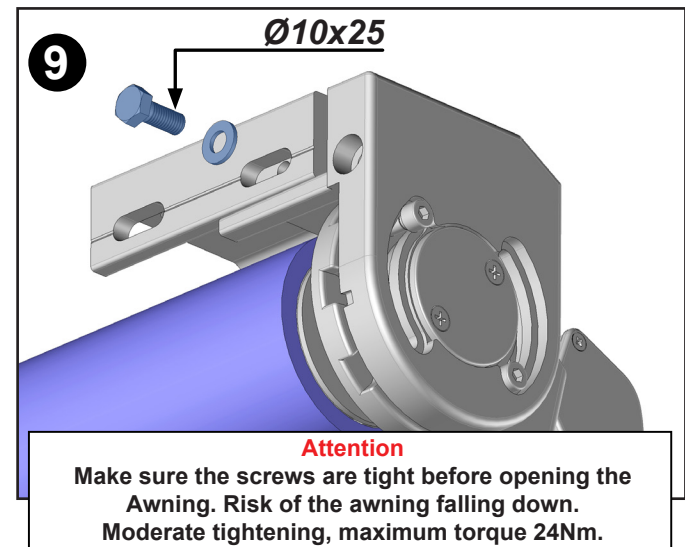
Attention : make sure that the wall brackets are level for final fixing.



! Hold the Awning until it locks completely.
Risk of the awning falling down.



Before fixing the Awning, make sure it is correctly positioned on the brackets.



Attention
Make sure the screws are tight before opening the Awning. Risk of the awning falling down.
Moderate tightening, maximum torque 24Nm.

ATTENTION,
If the Awning is not properly fixed or installed, it may fall down.
We accept no liability for any damage to property and/or personal injury caused by incorrect installation.

- 10** Connect the motor.
- Refer to the motor manual supplied with the product.

SETTINGS



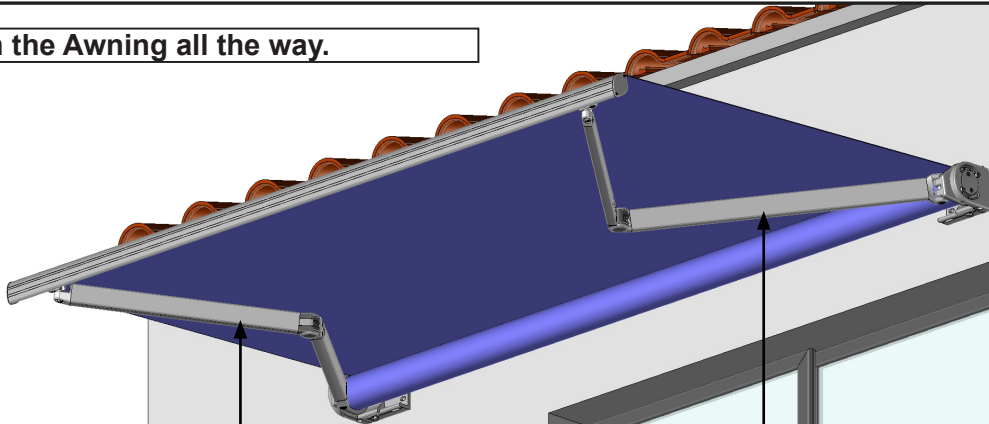
The end-of-stroke, elbow arm, Front bar and tilt settings are pre-set at the factory. However, on-site adjustment may be necessary once installation is complete. If you are in any doubt about the correctness and safety of your adjustment, contact a professional.
During installation, only adjust the tilt of the arms as required.



A - Adjustable arm inclination.

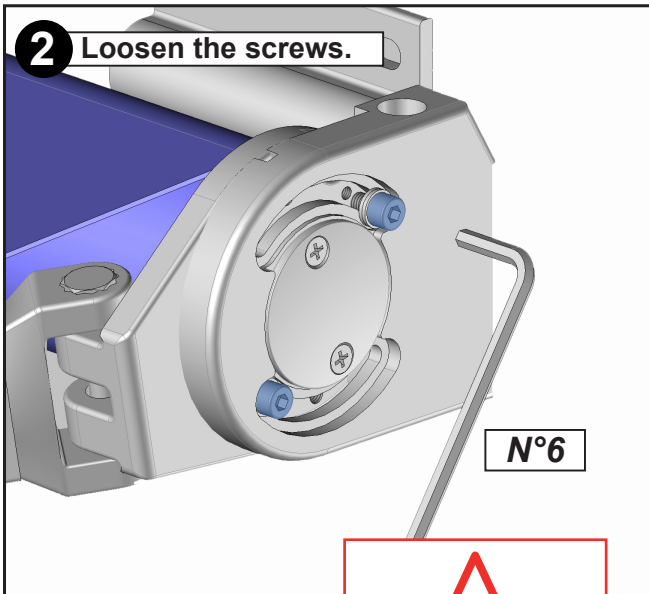
All operations must be carried out on both sides of the Awning.

- 1** Open the Awning all the way.



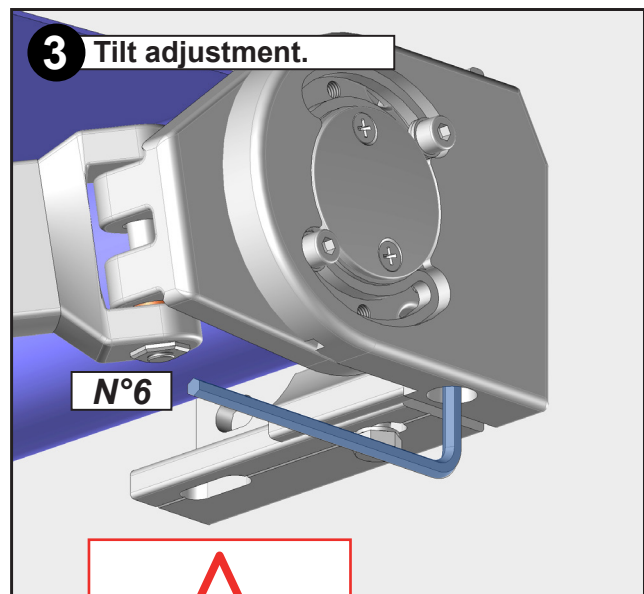
Relieve your arms when adjusting the tilt.

- 2** Loosen the screws.



Caution Operation 2 : do not unscrew the screws completely.

- 3** Tilt adjustment.



Caution Operation 3 : Relieve your arms when adjusting the tilt.

- 4** Retighten the screws.

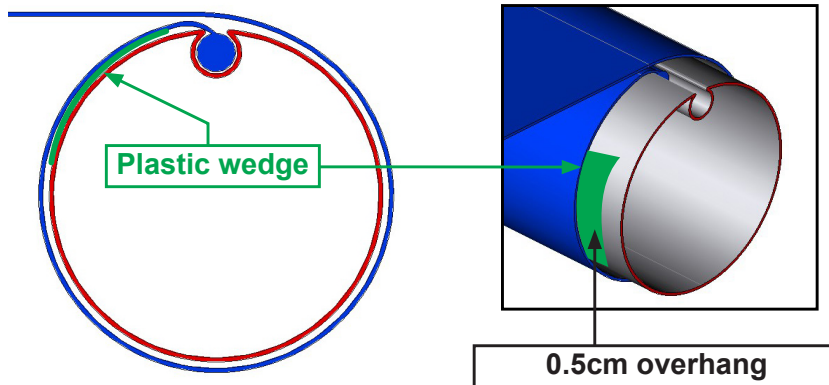
ATTENTION,
Make sure that the tilt adjustment is symmetrical and that the screws and all the awning components are securely locked before opening or closing the awning.

B - Adjustment of motor limit switches.

Refer to the motor manual supplied with the product.

C - Securing the fabric.

- The Front bar does not close on one side of the awning. Open the awning fully with the fabric relaxed. Use the emergency manoeuvre for a TMS motor (maximum 5 crank turns). Insert the plastic ring, folded in half, between the Roller tube and the fabric. The plastic ring is positioned under the end seam of the fabric. Check the closure. If the closure is not ideal, repeat the operation but increase the number of folds.



CONSUMER INFORMATION

► To find out more :

- The Front bar may bend slightly (4 to 5 cm). This is due to the considerable thrust of the arms and may cause a pocket in the fabric.
- A slight difference in the fibre bath or colour of the lacquer may be observed between two Awning if they are not purchased at the same time.
- Creases or mottling may appear. They in no way affect the quality or effectiveness of the Awning.
- Ripples may appear on the fabric. This is due to excess thicknesses caused by hems and seams, which put stress on the Roller tube.
- Only use the emergency manoeuvre to close the Awning in the event of a power cut. Use of the emergency manoeuvre outside these conditions will deprogram the motor limit settings. When using the manoeuvre, make sure that the crank is in line with the emergency socket.
- For an electrical installation with an unstable switch, make sure you leave it in the stop position after each use.

Problems

Causes

Solutions


| | | |
|---|---|--|
| My Awning is coming off the wall. | Screws not adapted to the composition of the wall. | Check that the brackets are correctly in place (follow the instructions in the leaflet). If fixing with a chemical sealant, refer to the manufacturer's instructions. |
| My Awning is not level. | | Check that the mounting brackets are level. Level again. Check the level of the Front bar. Adjust the tilt of the arms (Adjustment Paragraph A) |
| Front bar does not close along its entire length | Fabric elongates after several uses. | Adjust the motor limit switches. (Adjustment Paragraph B) |
| The Front bar does not close on one side of the Awning. | Natural elongation of the fabric. | Shim the fabric using the plastic shims supplied (see section C for adjustment). |
| The electric switch no longer works. | The motor goes into thermal protection after 2 successive ascents and descents. | Wait for protection to end (20 minutes) |
| The electric switch no longer works. | Connection problem. | Check the motor connection Check that the motor is working by connecting it directly to the electrical supply. (blue black or blue brown) |

Important : If you have any doubts about the safety of your work, call in a professional.

Declaration of conformity



<https://www.mitjavila.com/conformity/>

| | |
|---|--|
|  | EN 13561 : 2015 |
| | MITJAVILA-LOGIA125/14.4/001 |
| <i>For outdoor use in buildings and other structures.</i> | |
| MITJAVILA D900, KM7, BP99 66602 Rivesaltes cedex 09 | STORE L125 Maximum size L.4.8m x Av.3m CLASSE 0 |
| Total solar energy transmission | $g_{tot} = 0.23$ |

Do not deploy the Awning if :



Other dimensions

| |
|---------------------------------|
| L.3m x Av.2m CLASSE 0 |
| L.4m x Av.3m CLASSE 0 |

All fabrics

| | |
|---------------------------------|----------------------------|
| SunWorker $g_{tot} = 0.23$ | TELYA II $g_{tot} = 0.23$ |
| TIBELLY $g_{tot} = 0.17$ | TELYA III $g_{tot} = 0.25$ |
| DICKSON 0001 : $g_{tot} = 0.19$ | |



WARNING



- Never open the awning before it has been fully secured. Before opening the awning, you must make sure that the wall brackets and the fixing of the awning to these brackets have been correctly installed and that the arm brackets, Fastener and all other parts of the awning are tight. The awning arms are under tension and could cause injury if opened suddenly. Never open the Awning with a torn fabric.
- Check that your wall is flat. If the wall is hollow or curved, shim the supports to align them correctly. Incorrect alignment may cause the awning to malfunction, break or fall.
- Do not operate the Awning when maintenance operations, such as window cleaning, are in progress. Disconnect the Awning from the power supply when maintenance operations are in progress.
- Do not allow children to play with the controls. Keep the remote control devices out of the reach of children. Supervise your children to ensure that they do not play with the awning or the remote control.
- Watch your fingers during installation.
- No changes to the design or configuration of the equipment should be made without prior consultation with the manufacturer.
- Never use accessories not recommended by the manufacturer. These could create risks for the user and damage the Awning. Only use original parts and accessories.
- If the Awning is to be stored, it must be stored in a dry, dry place.
- Do not use the Awning in areas subject to vibrations or impulses.
- Use the correct fixings for the material of your façade. Ask a specialist for advice. Fixing hardware is not supplied.
- There must be a horizontal distance of at least 0.4 m between the fully extended awning and any fixed object.
- Do not unpack the Awning using tools that could scratch it.
- Never sleep with the awning open, as a sudden change in the weather could cause the awning to fall down.

USING THE AWNING :

- Do not use the Awning in adverse weather conditions. Use in freezing conditions may damage the Awning. Do not use the Awning on rainy days. In these cases, the Awning must be in the folded position.
- Take care when unfolding the awning, as it can quickly fall down if it is weakened or damaged. Never use the awning if it is damaged. Disconnect the awning from the power supply (switch or fuse), then contact a specialist.
- Only use the Awning for its intended purpose.
- We accept no liability for damage caused by incorrect use or failure to follow the instructions.
- Do not hang anything on the frame or folding arms of the Awning. It could fall and cause material damage and/or personal injury.
- Do not hang from the awning frame or folding arms. It could fall and cause material damage and/or personal injury.
- Make sure you leave enough space around the awning when you roll or unroll it.
- When you first open the awning, open it 50cm and check that the screws and nuts on the wall brackets, arm brackets and fasteners are tight. Do not open the Awning if any screws are loose.
- Do not use a barbecue under the awning or light a fire nearby.

AWNING ADJUSTMENT :

- The end-of-stroke, arm bend, Front bar and tilt settings are pre-set at the factory.
- Awning adjustment must be carried out with care because of the constraints involved, and requires a certain level of skill. If you have any doubts about the correctness and safety of your adjustment, call in a professional.
- After making any changes to the settings, make sure that all the awning components are properly tightened.
- Incorrect adjustment can lead to improper use of the Awning and cause it to deteriorate.
- If the Front bar is not level, the awning does not close properly or the arm elbows are out of alignment, the awning must be adjusted.
- Do not use the Awning if adjustment is necessary.

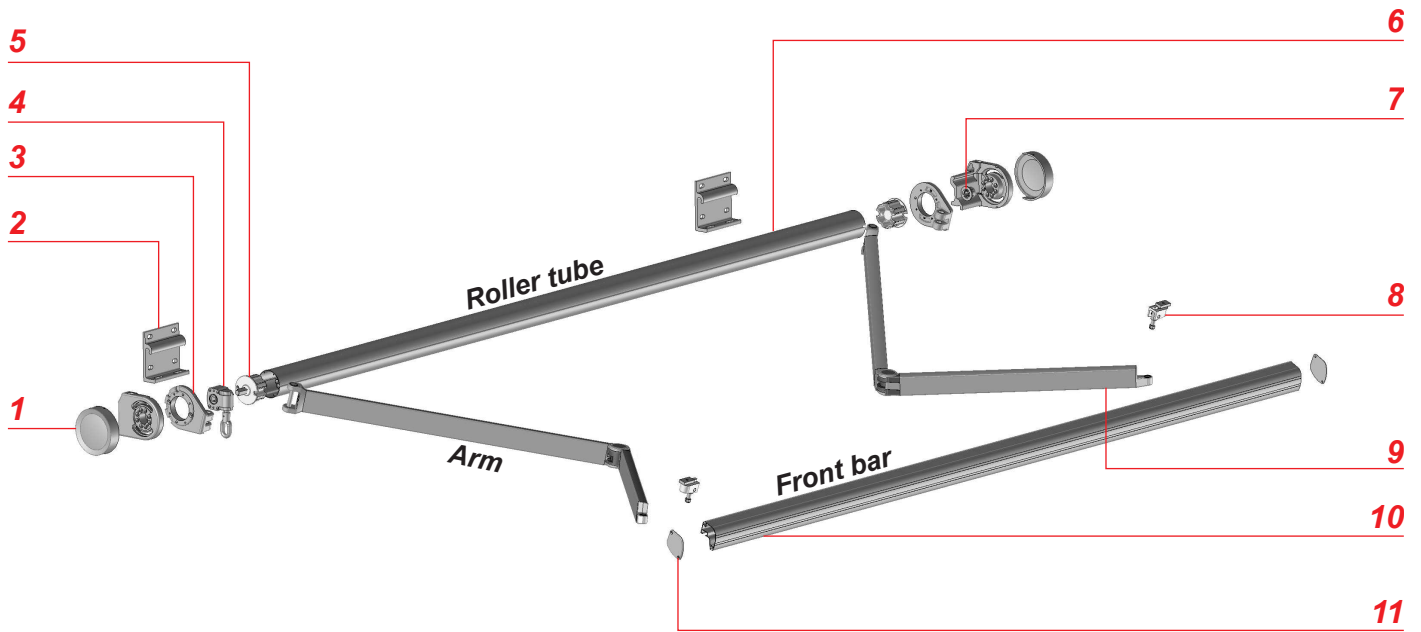
REPAIR AND MAINTENANCE :

- Never attempt to dismantle or repair an Awning without the necessary qualifications. Call in a professional to carry out any necessary repairs.
- Do not use the Awning if a repair is required.
- Check the installation frequently throughout the year to detect any imbalance or signs of wear to the awning parts or fabric.
- Check the awning's wall fixings, arm support clamp screws and arm fastener clamp screws frequently throughout the year.
- Do not roll up a wet fabric; dry it as soon as possible. Risk of mould.
- Clean the fabric and frame at the beginning and end of the season. Do not use detergents.

ELECTRICAL PART :

- Before handling, make sure that the electricity supply is switched off. Danger of electrocution.
- If the power cable is damaged, it must be replaced by a qualified person (after-sales service or electrician) to avoid danger. The power cable for this actuator may only be replaced with the same type of cable (same wire cross-section and same protection rating).
- The actuator is intended to be installed at a height of at least 2.5 m from the ground or any other level of access.
- The electrical wires must be connected in accordance with the electrical standards in force in France (standard NF C 15100). If in doubt, contact an approved electrician.
- Before connecting the Awning to a power source, check that the voltage of this power source and the rated voltage correspond to the power supply specifications in the manual.
- Do not get the control box wet. The automated system must be positioned away from bad weather. Do not allow children to play with the control unit.

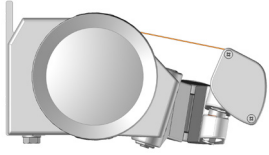
EXPLODED VIEW



Reference

Designation

| Reference | Designation |
|-----------|---------------------------|
| 1 | Finishing cheek piece |
| 2 | Wall bracket |
| 3 | Arm support cheek |
| 4 | Manoeuvre |
| 5 | Pin end plug square shaft |
| 6 | Roller tube |
| 7 | Plastic spacer |
| 8 | Fastener |
| 9 | Arm |
| 10 | Front bar |
| 11 | Front bar plug |



L125



**Installation instructions
AWNING LOGGIA**