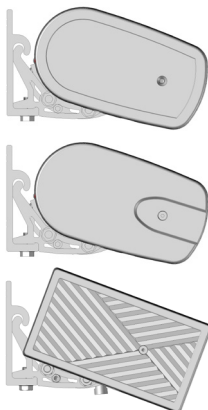


3 different finishes



Staple your invoice and control sheet to the leaflet

C260-1-2



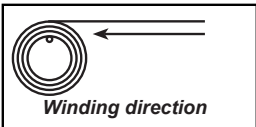
Installation instructions AWNING

Minimum 2 people required.



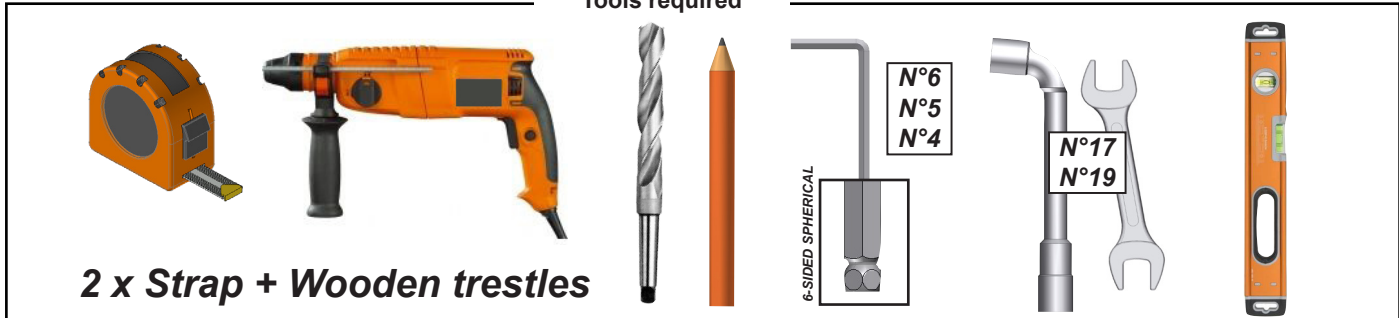
Dimensions	Mass Store
4m x 3.5m	60 Kg
5m x 3.5m	75 Kg
6m x 3.5m	90 Kg

Awning weight greater than 25kg per person, use suitable lifting equipment.
Over 5m wide, an additional person is required in the center.



Important : Standard blind widths may vary by + or - 2%.

Tools required



2 x Strap + Wooden trestles



ATTENTION



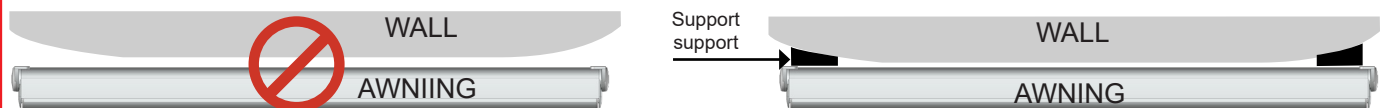
ATTENTION! PLEASE READ THESE OPERATING INSTRUCTIONS BEFORE USING AND INSTALLING THE PRODUCT. SAVE THESE INSTRUCTIONS FOR FUTURE REFERENCE.

- The installation of an awning must be carried out with care, due to its constraints, and requires a certain level of skill:
 - Measuring and levelling supports.
 - Drilling the wall Installation of chemical sealants or suitable fasteners.
 - Working at height and handling heavy loads.
 - Electrical connection for electrically operated blinds.

If you have any doubts about the safety of your installation, call in a professional.

- Awnings must be installed according to the rules of the trade. A minimum of two people is required, with personal protective equipment (PPE) and suitable materials. In the event of a problem, please consult a person qualified in this product for assistance.
- Follow the safety instructions to prevent damage caused by improper use! Observe all warnings given in the blind manual and on the blind itself.
- This product presents a risk of falling and serious personal injury. All assembly steps must be scrupulously observed. Incorrect alignment of the brackets or incorrect installation can cause the blind to fall or break. It is important for personal safety to follow these instructions.
- An awning is naturally subject to very high mechanical stresses due to the large lever arm (or overhang) between the wall supports and the load bar. An awning is not designed to withstand gusts of wind (even weak ones) or rain (pockets of water), which cause heavy overloads on the structure. In case of bad weather or when you don't need to use the awning, fold it up.
- If the awning weighs more than 25kg per person, use a suitable lifting tool.
- For installation over 5m wide, an additional person is required in the center.

CALAGE DES SUPPORTS MURAUX

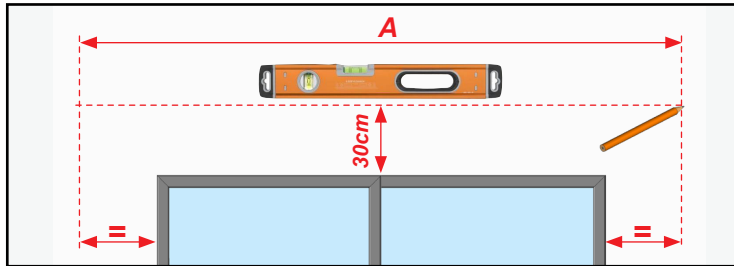
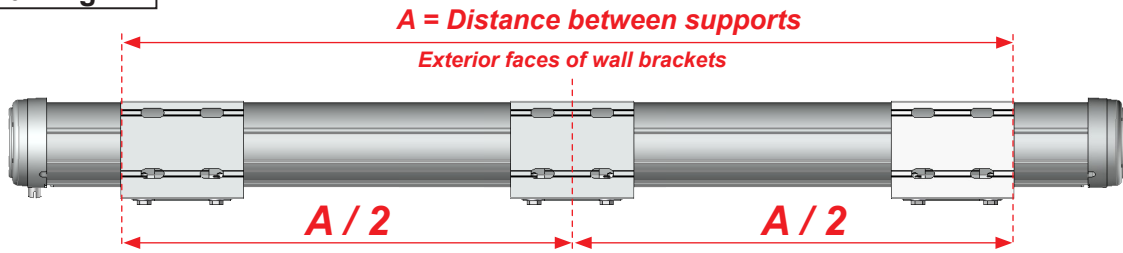


- Check the flatness of your wall. In the case of a hollow or curved wall, shim the brackets to ensure correct alignment. Incorrect alignment can lead to malfunctioning, breakage or the awning falling down.

Non-contractual drawings

WALL MOUNTING

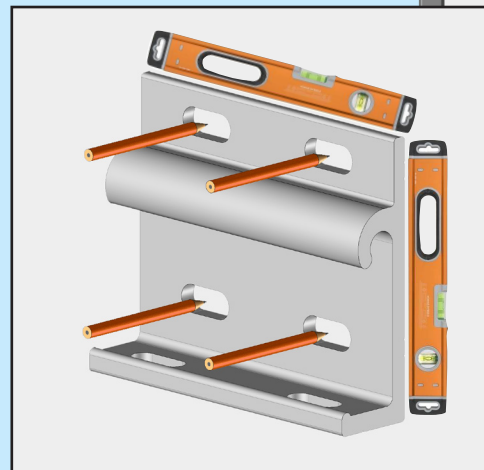
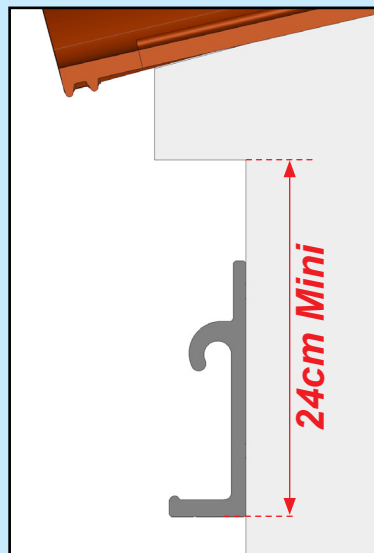
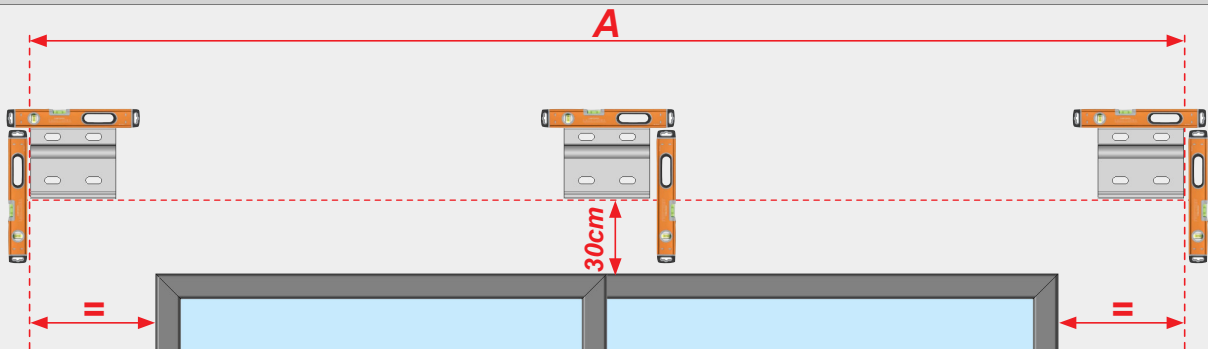
1 Marking



ATTENTION

The 3rd central support is only required for awnings with a width of 7m.

2 Mark hole locations.

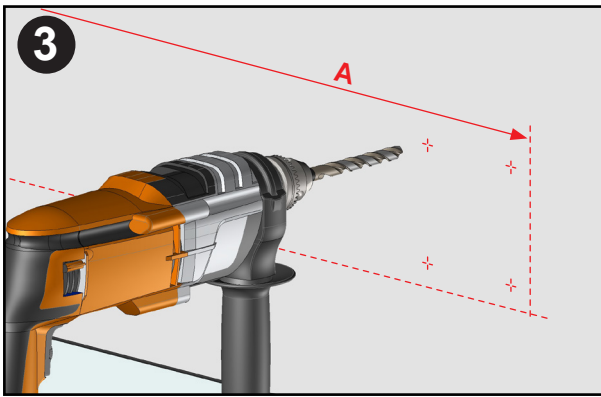


ATTENTION


The 3rd central support is only required for awnings with a width of 7m.

ATTENTION,

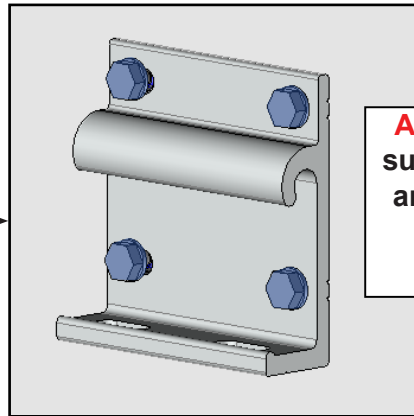
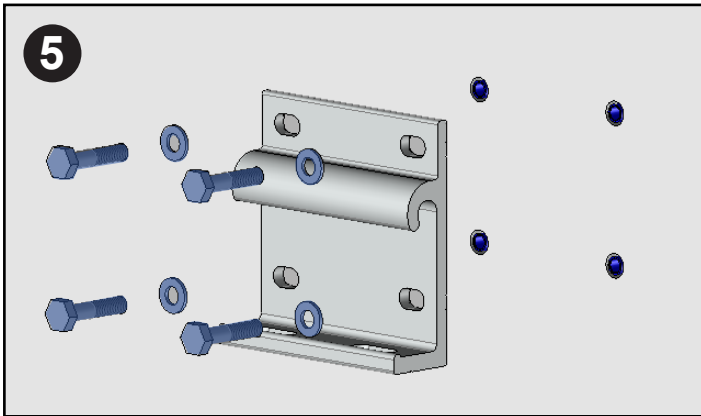
Incorrect alignment of brackets or incorrect installation may cause the awning to fall down.
We accept no liability for damage to property and/or personal injury caused by incorrect installation.



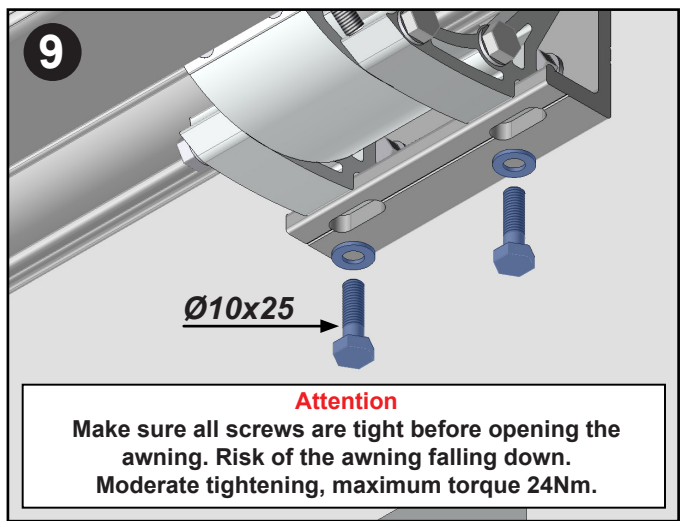
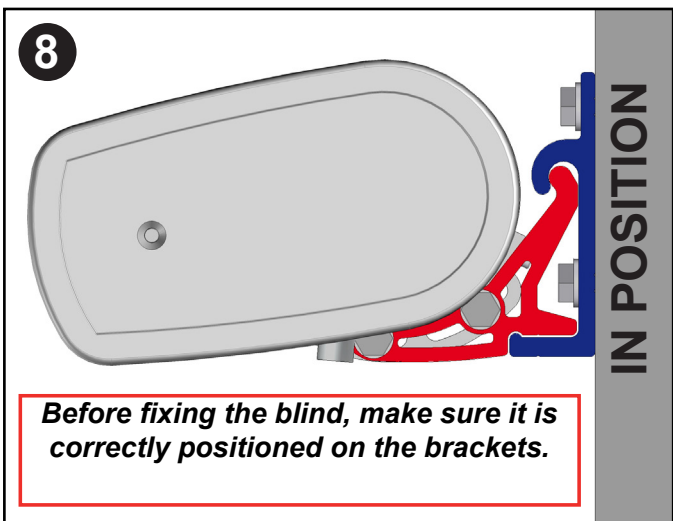
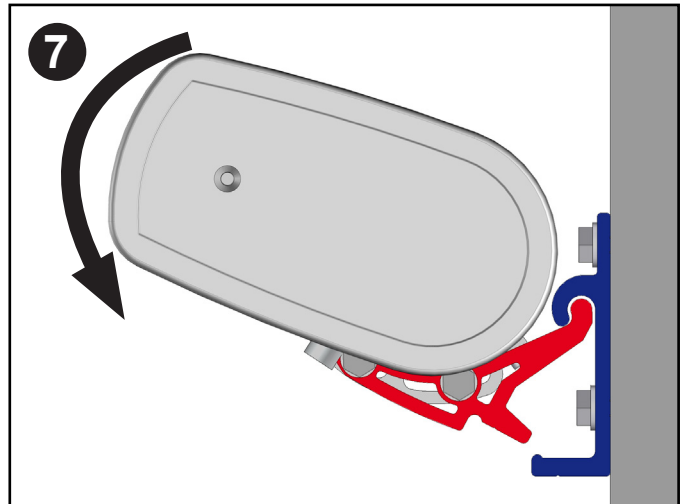
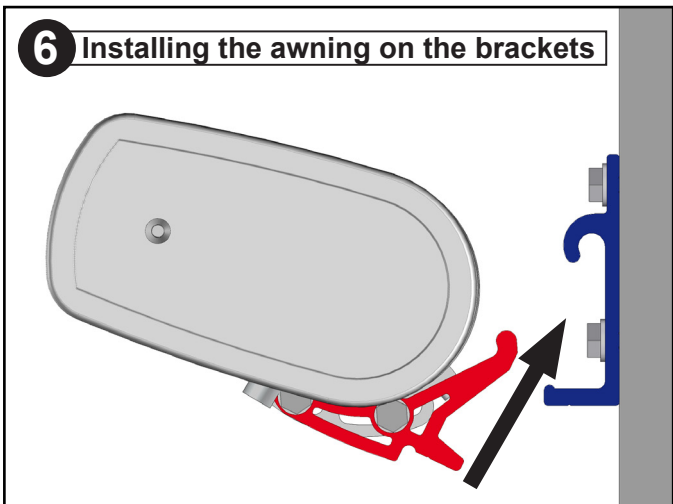
4



**Adapt brackets to wall type. Fixing with Ø10mm screws.
Screw kit and washer not supplied.
For blind installation using a chemical sealant kit, please refer to the instructions for use of the product used.**



Attention : make sure wall brackets are level for final fixing.



ATTENTION,
If the awning is not securely fastened or incorrectly installed, it may fall down.
We accept no liability for damage to property and/or personal injury caused by incorrect installation.

- 10** Connect the motor.
- Refer to the motor manual supplied with the product.

SETTINGS



The end-of-travel, elbow-arm, front bar and tilt settings are preset at the factory. However, on-site adjustment may be necessary once installation is complete. If in doubt about the correctness and safety of your adjustment, call in a professional.

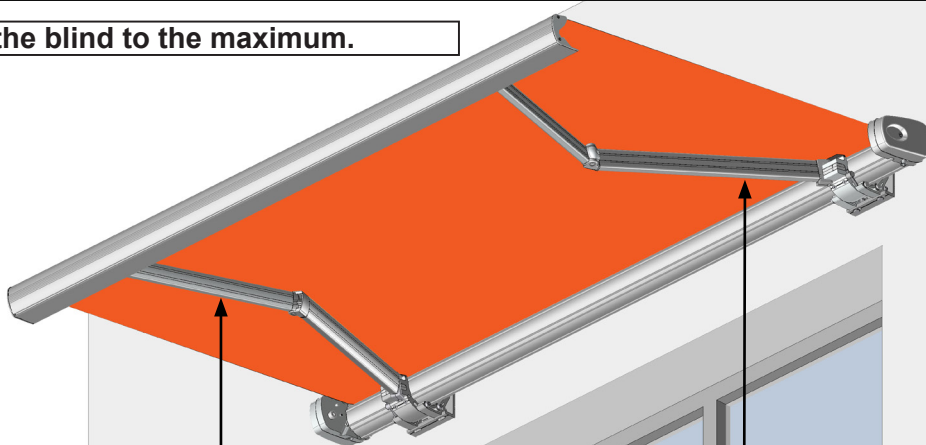
During installation, only adjust the tilt of the arms as required.



A - Adjustable arm inclination.

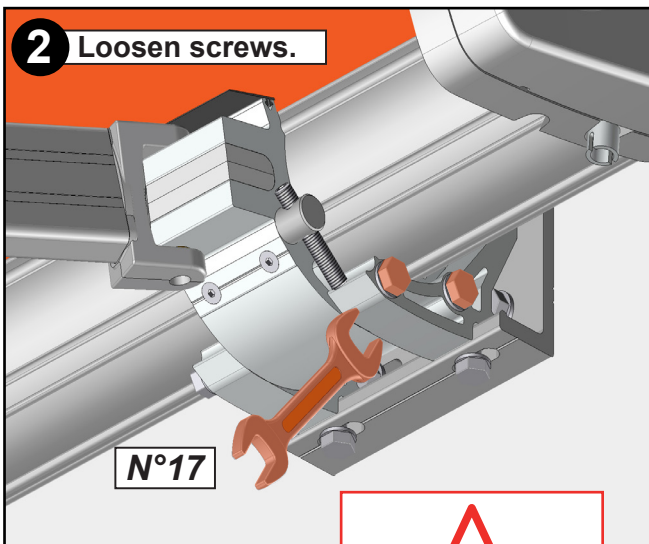
All operations must be performed on both sides of the awning.

- 1** Open the blind to the maximum.

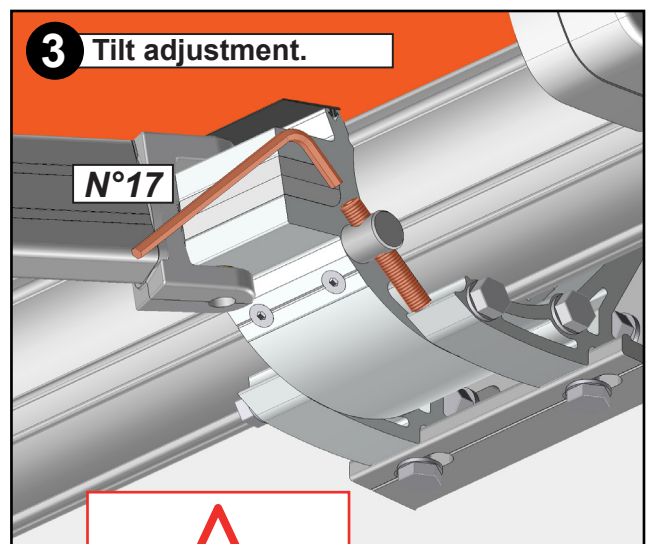


Relieve your arms when adjusting the tilt.

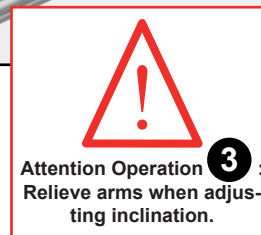
- 2** Loosen screws.



- 3** Tilt adjustment.



Attention Operation **2** :
do not unscrew screws completely.



Attention Operation **3** :
Relieve arms when adjusting inclination.

- 4** Retighten screws.

ATTENTION,

Make sure that the tilt adjustment is symmetrical and that the screws and all awning components are securely locked before opening or closing the awning.

B - Réglage de la barre de charge.



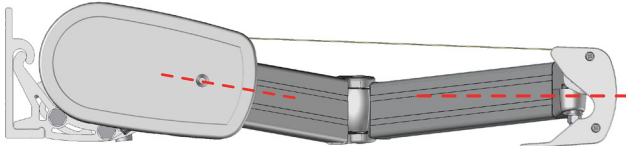
En cas de modification de l'inclinaison des bras, modifier le réglage de la barre de charge. Réaliser le réglage désiré sur les griffes. Attention un mauvais réglage de la barre de charge peut entraîner une mauvaise fermeture de votre store.



La barre de charge doit être de niveau par rapport au store

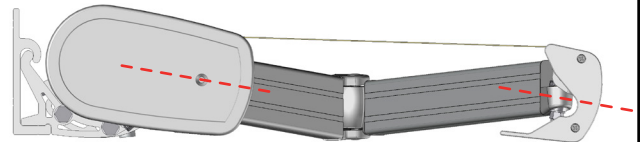

NON

Réglage de la barre de charge à modifier.



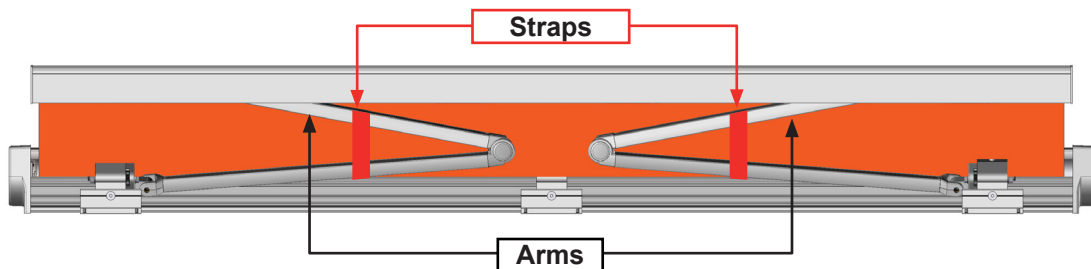
OUI

La barre de charge est de niveau, réglage OK.

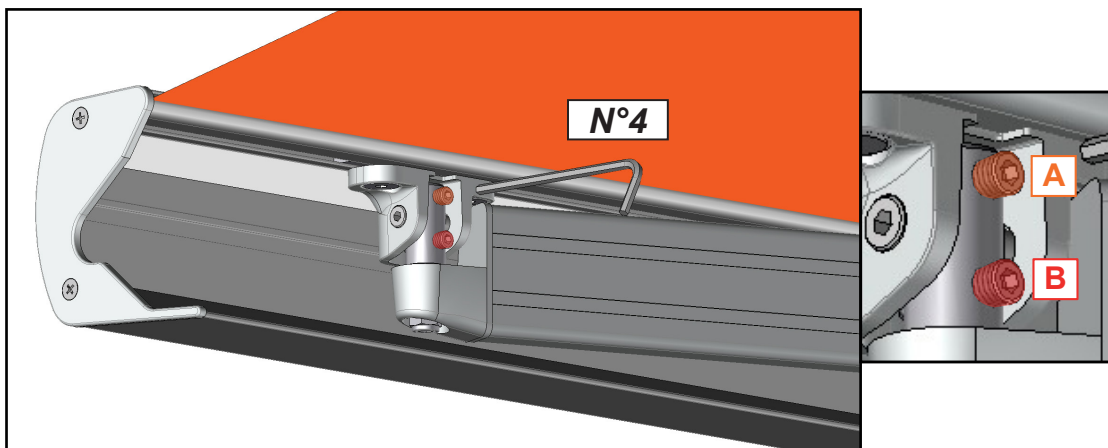


Adjusting the load bar :

- 1 - Open awning by 30cm and strap arms.
- 2 - Relax the fabric: open the blind a further 5cm.
- 3 - Loosen screws **A** and **B**.
- 4 - Adjust load bar orientation manually.
- 5 - Tighten screws **A** and **B**, to lock the load bar.



Operation to be carried out on both claws.

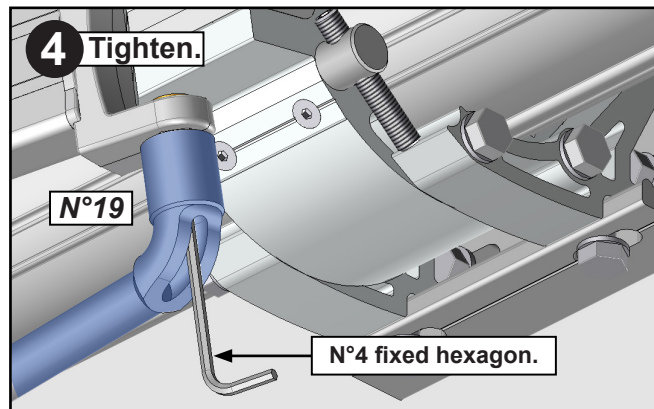
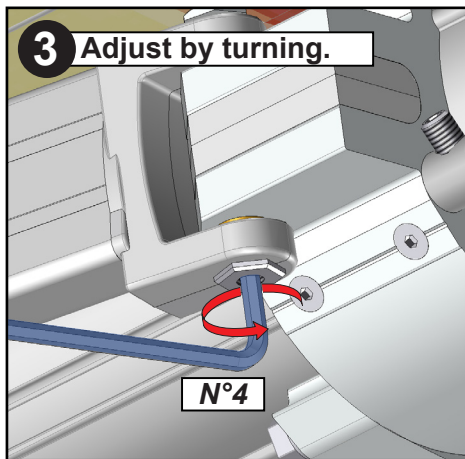
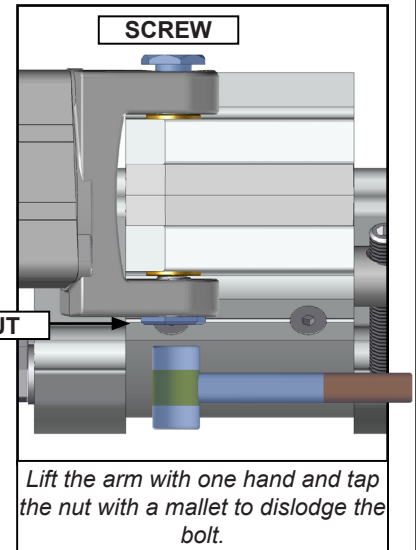
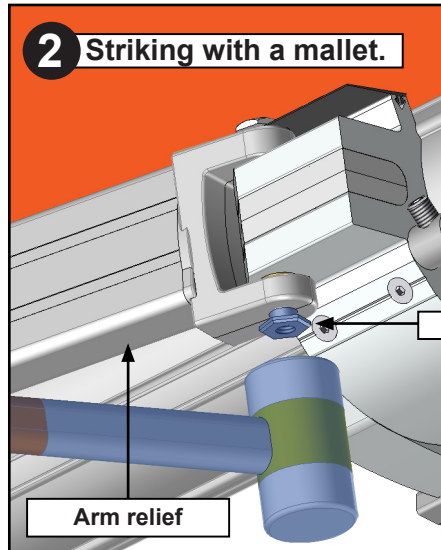
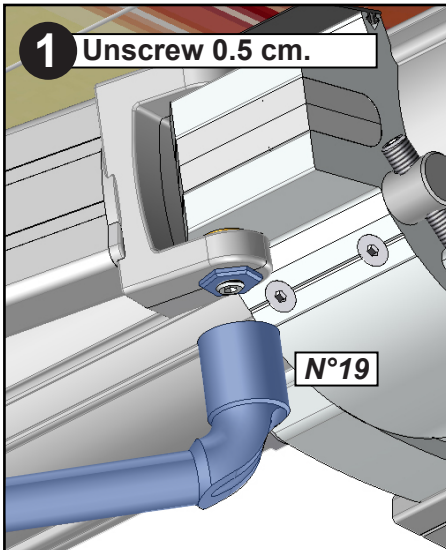


ATTENTION,

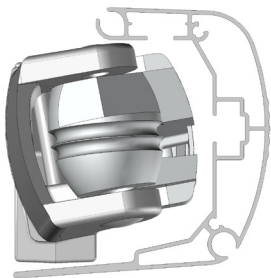
Make sure the straps are securely fastened during adjustment. Remove the straps after adjusting the load bar, and make sure the screws and all awning components are securely fastened before opening or closing the awning.

C - Adjustable arm bends. Blind open 30cm.

Arm elbows must be level.



Tighten the nut with a #19 socket wrench. **Maintain the adjustment of the arm elbow using the N°4 hex wrench (keep it fixed while tightening).** Make sure that the screw is well guided in the hexagonal hole of the arm when tightening it.



The arm elbow must be centered in the front bar. No contact between the two elements.

ATTENTION,

Make sure that the arm elbows are symmetrically adjusted and that all screws and awning components are securely locked before opening or closing the awning.

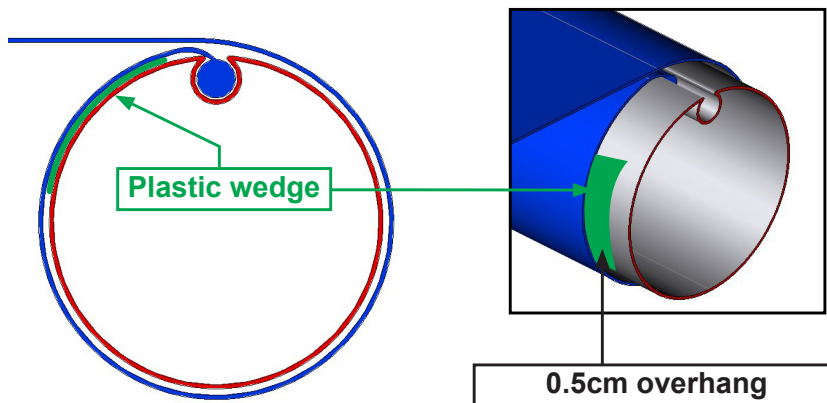
E - Motor limit switch adjustment.

1 Remove the motor-side trim panel.

2 Refer to the motor manual supplied with the product.

F - Clamping the canvas.

- Load bar does not close on one side of awning. Open blind fully, fabric slackened. Use the emergency maneuver for a TMS motor (maximum 5 crank turns). Insert the plastic ring, folded in half, between the winding tube and the fabric. The plastic ring is positioned under the end seam of the fabric. Check the closure. If the closure is not ideal, repeat the operation, but increase the number of folds.



CONSUMER INFORMATION

► To know more :

- The front bar may bend slightly (4 to 5 cm). This is due to the strong thrust of the arms, and may cause a pocket in the fabric.
- A slight difference in fiber baths or lacquer shades may be observed between two awning when purchased at different times.
- Creases or mottling may appear. They in no way diminish the quality or effectiveness of the awning.
- Ripples may appear on the fabric. This is due to over-thicknesses caused by hems and seams, which place stress on the winding tube.
- Only use the emergency maneuver to close the awning in the event of a power cut. Use of the emergency maneuver outside these conditions will deprogram the motor's end-of-travel settings. When using the maneuver, make sure that the crank is in line with the emergency socket.
- For an electrical installation with an unstable switch, be sure to leave it in the stop position after each use.





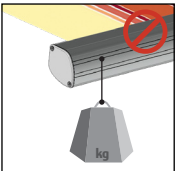
Problems

Causes

Solutions

My awning comes down from the wall.	Screws not adapted to wall composition.	<ul style="list-style-type: none"> ► Check that brackets are correctly positioned (follow instructions) ► For fastening with chemical sealants, refer to the manufacturer's instructions.
My blind is not level.		<ul style="list-style-type: none"> ► Check that mounting brackets are level. Level again. ► Check load bar level. Correct arm inclination setting (Setting Paragraph A)
Front bar does not close all the way	Canvas stretching after several uses. Incorrect adjustment of load bar or arm bends.	<ul style="list-style-type: none"> ► Adjust motor limit switches. (Setting Paragraph D) ► Adjust front bar inclination. (Setting paragraph B) ► Adjust arm elbows. (Setting paragraph C)
Front bar does not close on one side of awning	Natural stretching of the fabric.	► Use the plastic shims supplied to wedge the fabric. (Setting Paragraph E)
The electric manoeuvre no longer works.	The motor goes into thermal protection after 2 successive downstrokes and 1 successive upstroke.	► Wait for protection to end (20 minutes)
The electric manoeuvre no longer works.	Connection problem.	<ul style="list-style-type: none"> ► Check motor connection ► Check motor operation by connecting it directly to the electrical supply. (blue black or blue brown)
My LED light won't come on.	Connection or programming problems	<ul style="list-style-type: none"> ► Check LED connection. Motorization with LED lighting option. ► Reprogram LEDs. Motorization LED lighting option Programming.
My blind squeaks.	Seizure of rotation axes	► Lubricate rotation axes.

Important : If you have any doubts about the safety of your intervention, call in a professional.

Declaration of conformity Construction Products Directive 305/2011 Machinery Directive 2006/42/EC RoHS Directive 2011/65/UE		EN 13561 : 2015 MITJAVILA-C260/24,5/001/080121	Do not deploy the awning in the event of :  Wind  Rain  Snow  Do not hang anything
		For outdoor use in buildings and other structures.	
MITJAVILA D900, KM7, BP99 66602 Rivesaltes cedex 21	AWNING C248 Maximum dimension L.7m x Av.3.5m CLASS 0	Transmission de l'énergie solaire totale $g_{tot} = 0.23$	
Other dimensions		All canvases	
L.4m x Av.3.5m CLASS 2	L.5m x Av.3.5m CLASS 1	L.6m x Av3.5m CLASS 0	SunWorker $g_{tot} = 0.23$ TELYA II $g_{tot} = 0.23$ TIBELLY $g_{tot} = 0.17$ TELYA III $g_{tot} = 0.25$ DICKSON 0001 : $g_{tot} = 0.19$
	L.5m x Av.3m CLASS 2	L.6m x Av3m CLASS 1	



WARNING



- Never open the awning before it has been fully secured. Before opening the awning, you must make sure that the wall brackets and the awning brackets have been correctly installed, and that the arm brackets, claws and all other awning components are tight. Blind arms are under tension and can cause injury or damage if opened suddenly. Never open the blind with a torn fabric.
- Check the flatness of your wall. In the case of a hollow or curved wall, shim the brackets to ensure correct alignment. Incorrect alignment may cause the blind to malfunction, break or fall.
- Do not operate the blind when maintenance operations, such as window cleaning, are in progress. Disconnect the awning from the power supply when maintenance operations are in progress.
- Do not allow children to play with control devices. Keep remote control devices out of children's reach. Supervise your children to ensure that they do not play with the blind or remote control.
- Be careful with your fingers during installation.
- Do not modify the design or configuration of the equipment without consulting the manufacturer.
- Never use accessories not recommended by the manufacturer. These could create risks for the user and damage the blind. Use only original parts and accessories.
- If the awning is to be stored, it must be kept under cover in a dry, non-humid environment.
- Do not use the blind in areas subject to vibrations or impulses.
- Use the correct fasteners for your façade material. Ask a specialist for advice. Fixing hardware not included.
- A horizontal distance of at least 0.4 m must be maintained between the fully extended blind and any fixed object.
- Do not unpack the awning using tools that could scratch it.
- Never sleep with the awning open, as a sudden change in weather could cause the awning to fall down.

USING THE AWNING :

- Do not use the awning in adverse weather conditions. Use in freezing conditions may damage the awning. Do not use the awning on rainy days. In these cases, the awning must be in the folded position.
- Be careful when unfolding the awning, as it can quickly fall down if weakened or damaged. Never use the awning if it is damaged. Disconnect the awning from the power supply (switch or fuse), then contact a specialist.
- Use the blind only for its intended purpose.
- We accept no liability for damage caused by improper use or failure to follow instructions.
- Do not hang anything on the frame or folding arms of the awning. It could fall and cause property damage and/or personal injury.
- Do not hang from the awning frame or folding arms. It could fall and cause property damage and/or personal injury.
- Make sure you leave enough space around the blind when rolling it up or down.
- When opening the blind for the first time, open it 50cm and check the tightness of the screws and nuts on the wall brackets, arm brackets and claws. Do not open the awning if any screws are loose.
- Do not set up a barbecue under the awning or light a fire nearby.

AWNING ADJUSTMENT :

- The end-of-stroke, arm bend, load bar and tilt settings are pre-set at the factory.
- The adjustment of an awning must be carried out with care, due to its constraints, and requires a certain level of skill. If you have any doubts about the correctness and safety of your adjustment, call in a professional.
- After making any adjustments, make sure all blind components are properly tightened.
- Incorrect adjustment can lead to the awning being misused and damaged.
- If the load bar is not level, the awning closes incorrectly or the arm bends are out of alignment, the awning must be adjusted.
- Do not use the awning if adjustment is necessary.

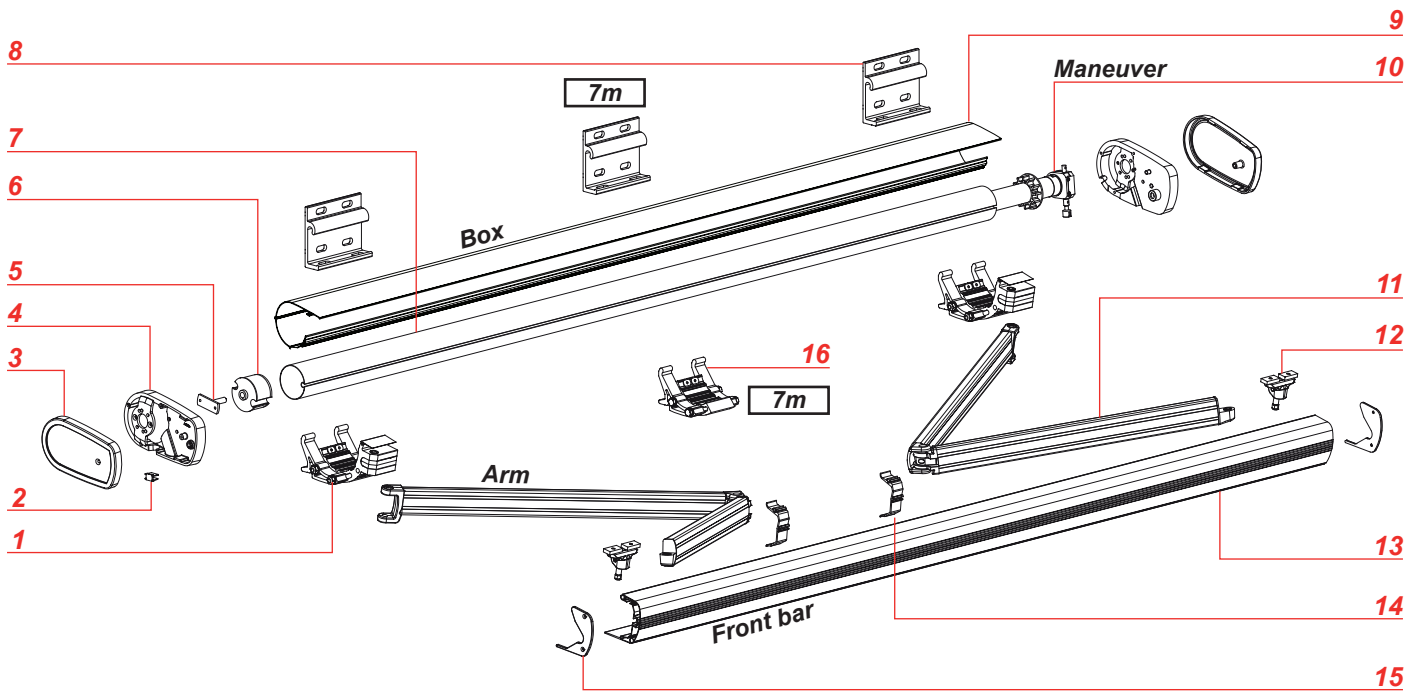
REPAIR AND MAINTENANCE :

- Never attempt to dismantle or repair an awning without the necessary qualifications. Call in a professional to carry out any necessary repairs.
- Do not use the awning if repairs are required.
- Check the installation frequently throughout the year for poor balancing or signs of wear to awning parts or fabric.
- Check awning wall fastenings, arm bracket clamping screws and arm claw clamping screws frequently throughout the year.
- Do not roll up wet fabric; dry it as soon as possible. Risk of mildew.
- Clean canvas and frame at the beginning and end of the season. Do not use detergents.

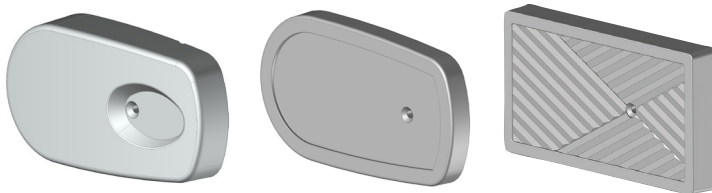
ELECTRICAL PART :

- Before handling, make sure the power supply is switched off. Danger of electrocution.
 - If the power cable is damaged, it must be replaced by a qualified person (after-sales service or electrician) to avoid danger. The power supply cable for this actuator may only be replaced by the same type of cable (same wire cross-section and same degree of protection).
 - The actuator is intended for installation at a height of at least 2.5 m from the ground or any other access level.
 - Electrical wiring must comply with French electrical standards (NF C 15100). If in doubt, contact an approved electrician.
 - Before connecting the blind to a power source, check that the voltage of the power source and the rated voltage correspond to the power supply specifications in the manual.
 - Do not wet the control box. The automation must be positioned away from bad weather.
- Do not allow children to play with the control unit.

EXPLODED VIEWS



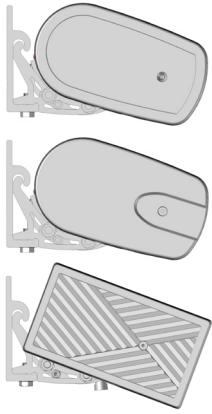
3 different finishes



Marker

Designation

Marker	Designation
1	Arm support assembly
2	Motor hole cover
3	Finishing cheekpiece
4	Trunk support cheek
5	Winding tube support axle
6	Hollow trunnion
7	Winding tube
8	Wall bracket
9	Profile box
10	Engine
11	Arm
12	Arm claw
13	Load bar profile
14	Plastic arm guide wedge
15	Load bar profile plug
16	Intermediate support



C260-1-2



Installation instructions

AWNING

Phone : 04 68 38 21 46
E-mail : sav@sav-usine.fr