

# MITJAVILA



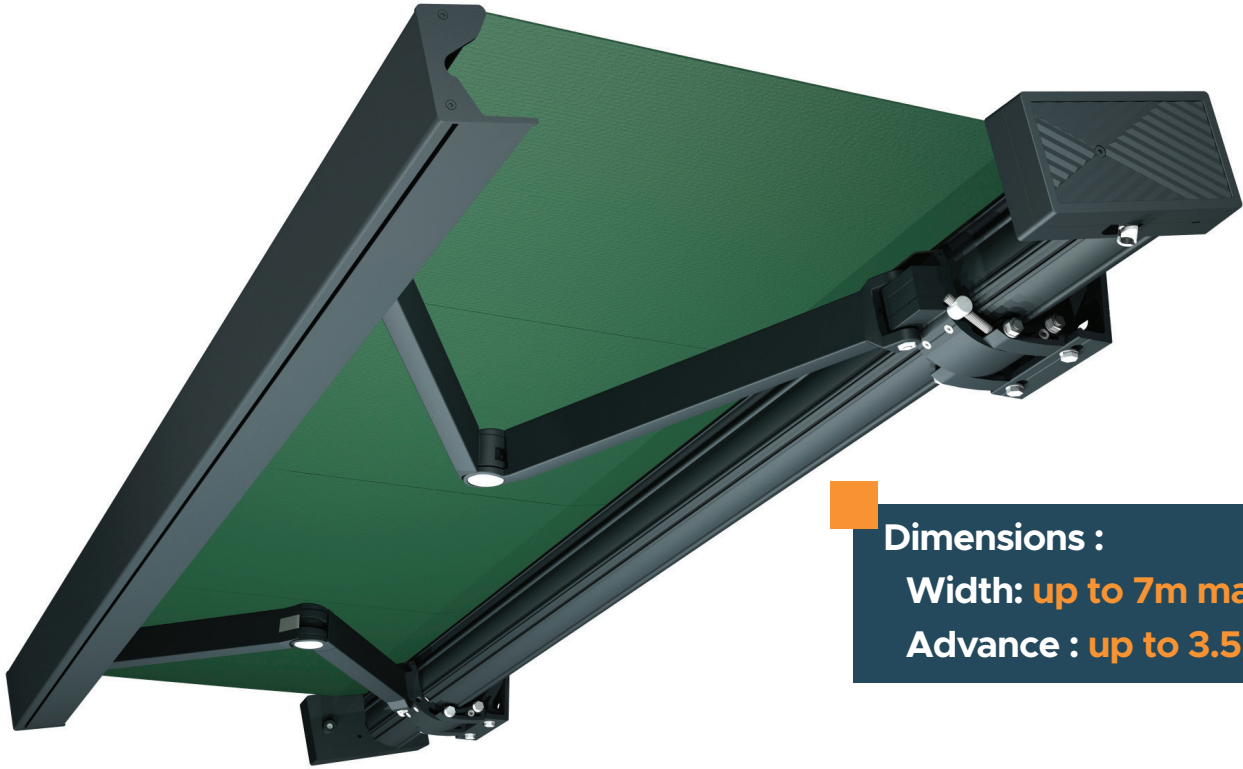
## AWNING 262

- New design
- Robust and elegant
- Simple and easy to install
- Wind resistance test
- Wide range of fabrics and RAL colours



[www.mitjavila.com](http://www.mitjavila.com)

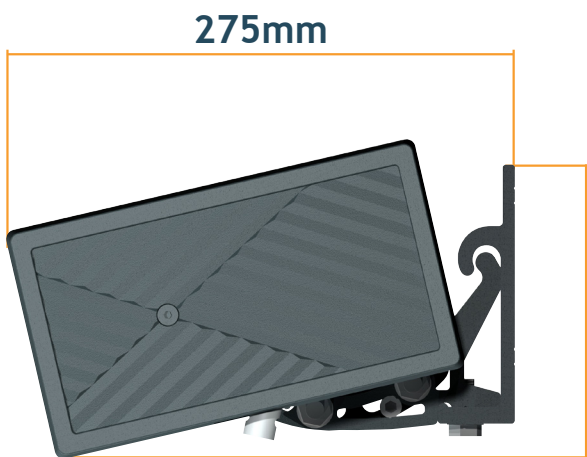
# The Dimensions



Dimensions :

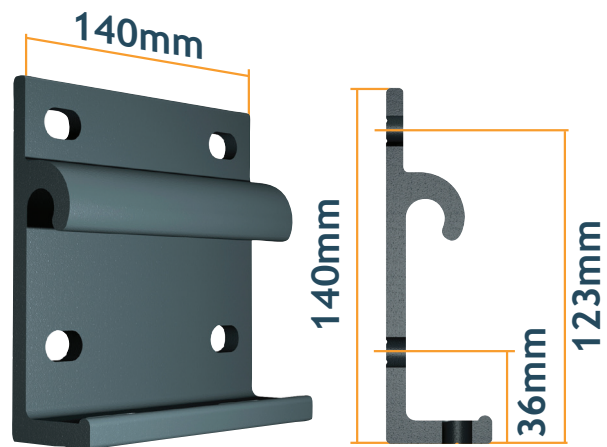
Width: **up to 7m maxi**

Advance : **up to 3.5m maxi**



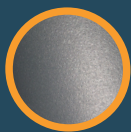
**Frame dimensions**

Tilt 5° to 30°



**Dimensions Wall bracket**

## Standard colours



**RAL7016-ST**  
Anthracite Grey



**RAL9010**  
Gloss white

## Fabric Collection

*Tibelly*  
COLLECTION



# The Options



## Operation Options

### Our maneuvers

### Vibration sensor

### Weather sensor

#### ■ Motorised switch



#### ■ TMS remote control motorisation



Automatism AUTOMOPRO03

#### ■ TME-C remote control operator



Radio motor without automation

#### ■ Motorisation LED lighting option



Automatism AUTOMOPRO LIGHT

#### ■ Motorisation LED lighting option



TMSLED engine

# MITJAVILA



## Made in Europe

Since 1970, our company has been designing, assembling and producing from 10 specialized units located in the south of Europe, which is also a guarantee of quality and security of supply for all our European customers.



## Repairability rating

All our frames are fully removable and comply with the new European reparability index.



## 100% Recyclable aluminium

All our frames, parts and profiles are made of aluminium and are fully removable and recyclable.



[www.mitjavila.com](http://www.mitjavila.com)