



2 different finishes

Staple your invoice and control sheet to the leaflet



Installation instructions CASSETTE AWNING

Minimum 2 people required.

Keep out of reach of children



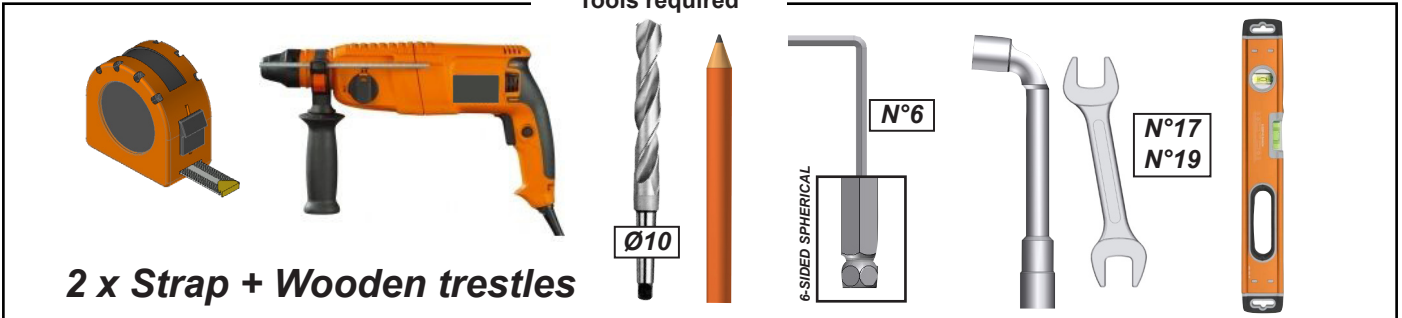
Dimensions	Awning weight
4m x 3.5m	52 Kg
5m x 3.5m	65 Kg
6m x 3.5m	78 Kg

Awning weight in excess of 25kg per person: use suitable lifting equipment.
If the awning is more than 5 m wide, an additional person should be positioned in the centre.



Important : Standard Awning widths may vary by + or - 2%.

Tools required



ATTENTION



ATTENTION! PLEASE READ THIS INSTALLATION MANUAL BEFORE USING AND INSTALLING THE PRODUCT. KEEP THESE INSTRUCTIONS FOR FUTURE REFERENCE.

- The installation of an Awning must be carried out with care due to its constraints and requires a certain level of skill:

- Measuring and levelling the supports.
- Drilling the wall installing chemical sealants or suitable fixings.
- Working at height and handling heavy loads.
- Electrical connection in the case of an electrically operated awning.

If you have any doubts about the correct and safe installation of your awning, call in a professional.

- Awning installation must be carried out according to the rules of the trade. A minimum of two people are needed, with personal protective equipment (PPE) and suitable materials. In the event of a problem, please consult a person qualified in this product for assistance.
- Follow the safety instructions to prevent damage from incorrect use! Observe all warnings in the Awning manual and on the Awning itself.
- This product presents a risk of falling and serious personal injury. All the assembly steps must be followed to the letter. If the brackets are misaligned or incorrectly fitted, the awning may fall or break. It is important for personal safety to follow these instructions.
- An Awning is naturally subject to very high mechanical stresses due to the large lever arm (or overhang) between the wall brackets and the Front bar. An Awning is not designed to withstand gusts of wind (even weak ones) and rain (pockets of water), which cause heavy overloads on the structure. If the weather is unfavourable or if you don't need to use the awning, fold it up.
- If the awning weighs more than 25kg per person, use a suitable lifting tool.
- If the awning is more than 5m wide, an extra person should be positioned in the middle.
- Do not allow children to play with the controls. Keep remote control devices out of the reach of children.

WEDGING WALL SUPPORTS

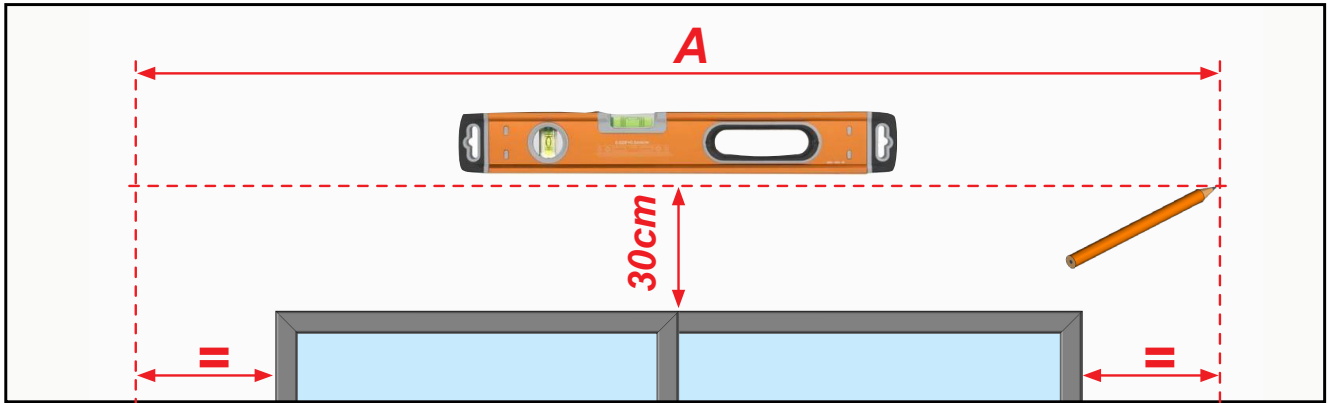
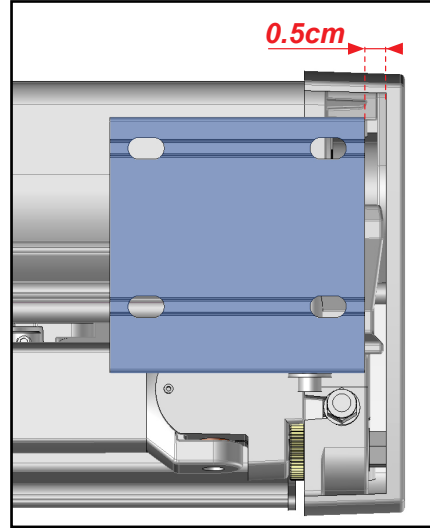
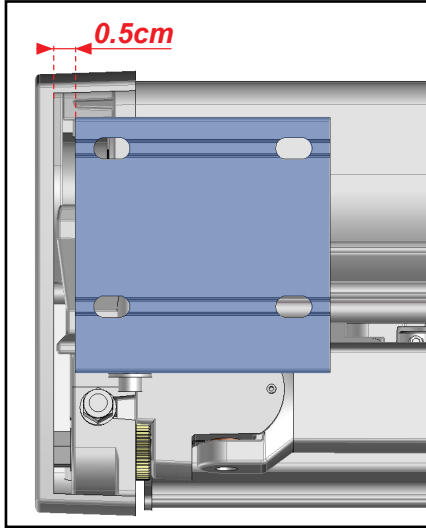


- Check that your wall is flat. If the wall is hollow or curved, shim the brackets so that they are correctly aligned. Incorrect alignment can cause the awning to malfunction, break or fall.

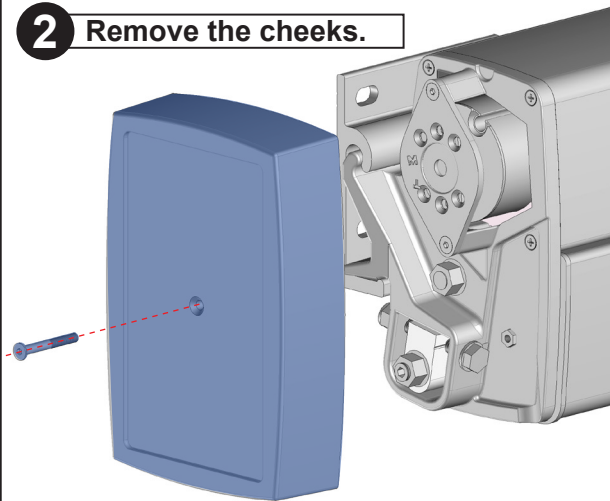
1 Mark the dimension.

A = Distance between supports

External faces of wall supports. Do not take finishing cheeks into account.

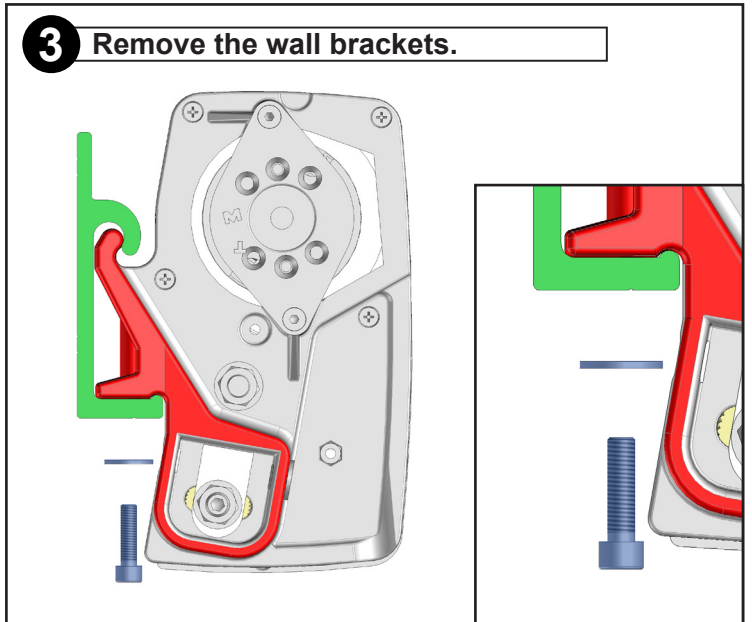


2 Remove the cheeks.

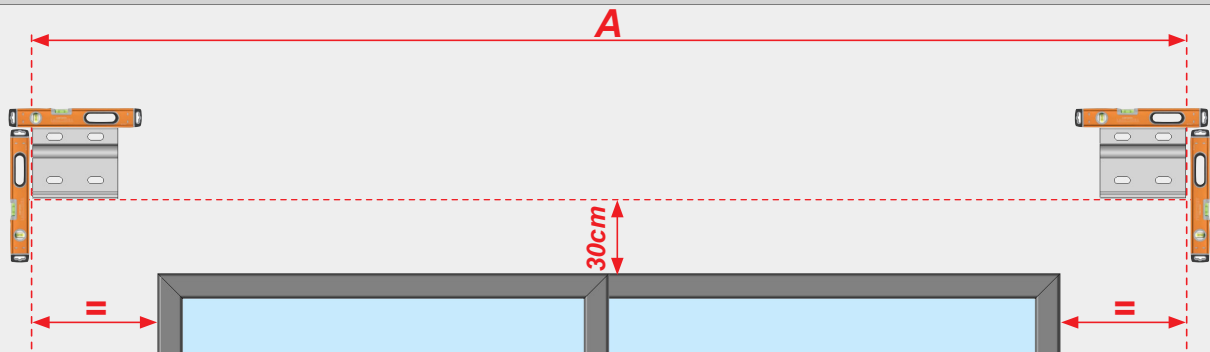


Note : the finishing cheeks will be refitted after the awning has been fully fixed and adjusted if necessary.

3 Remove the wall brackets.

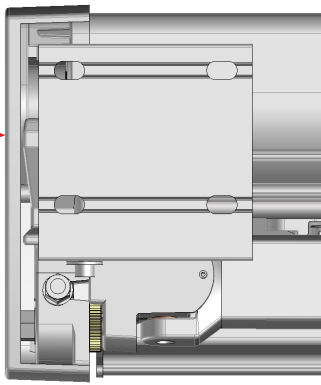


4 Mark out the position of the brackets.

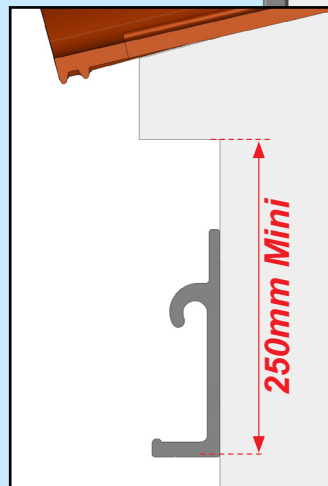


Important, Allow 50mm space on each side of the Awning.

**50mm
Mini**



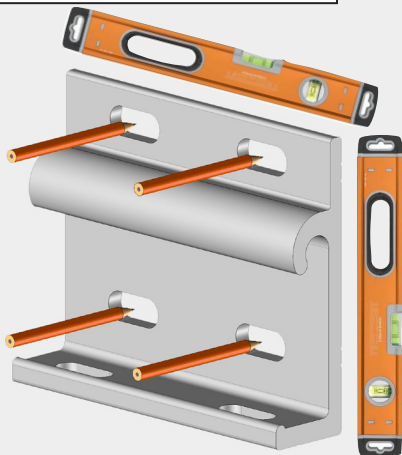
**250mm
Mini**



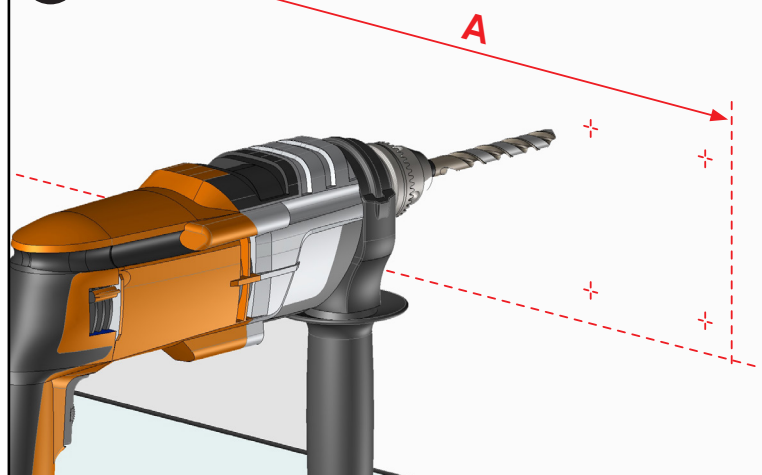
ATTENTION,


If the brackets are misaligned or incorrectly fitted, the awning may fall.
We accept no liability for any damage to property and/or personal injury caused by incorrect installation.

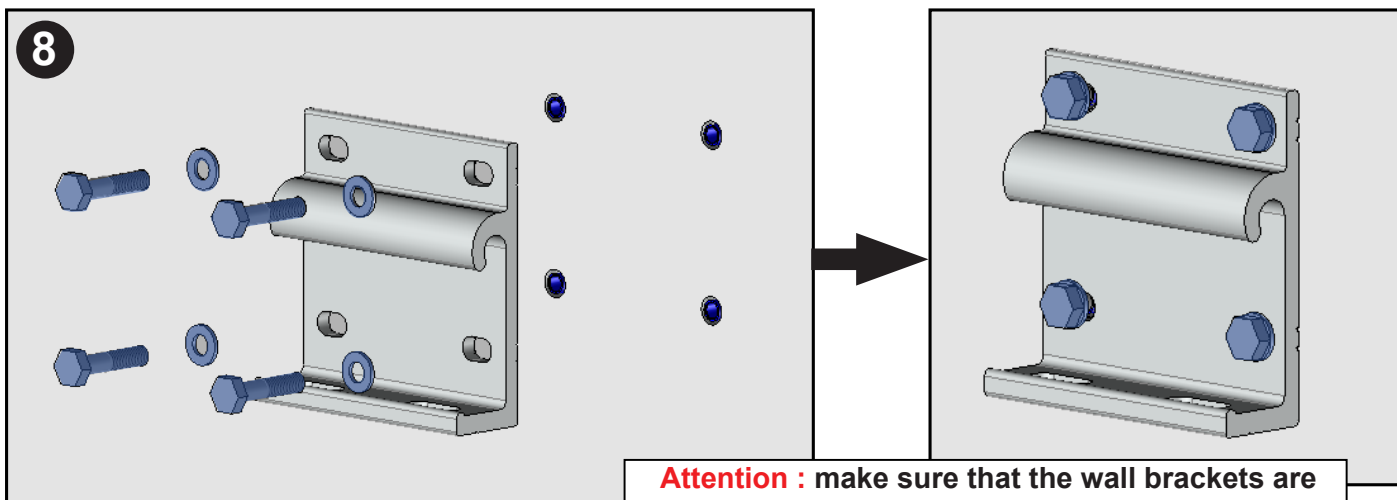
5 Mark the holes.



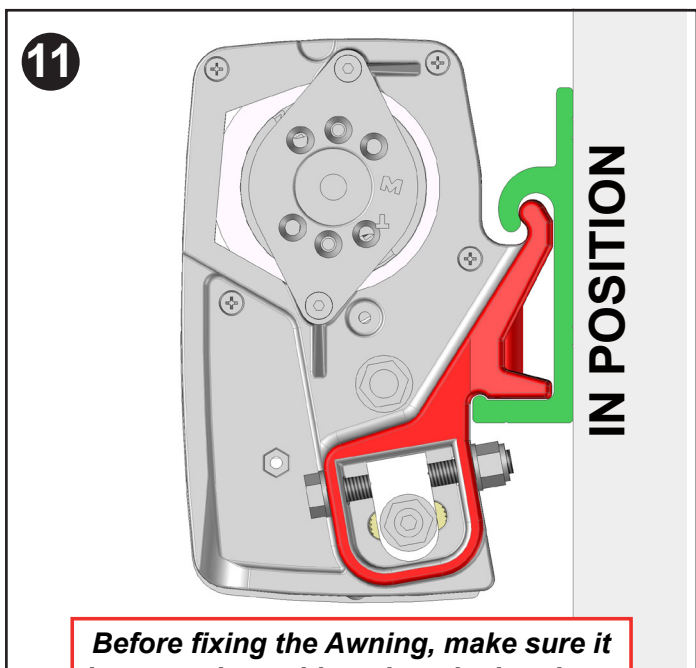
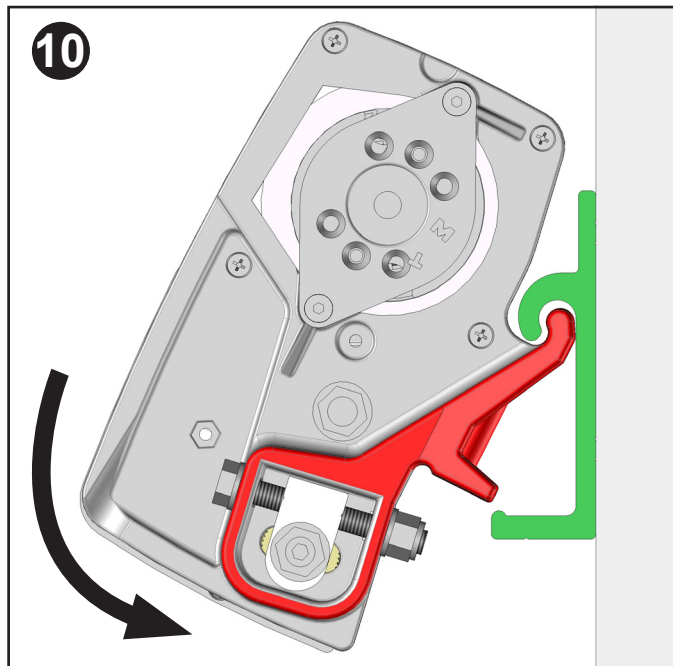
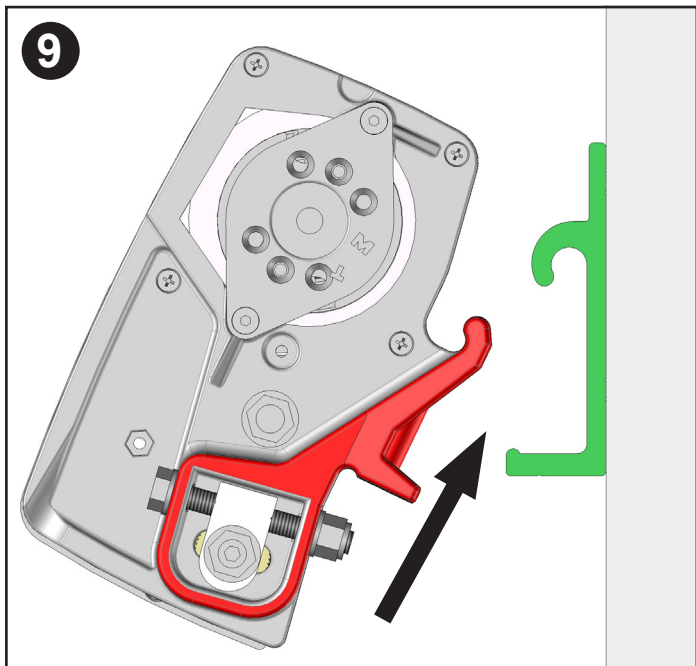
6



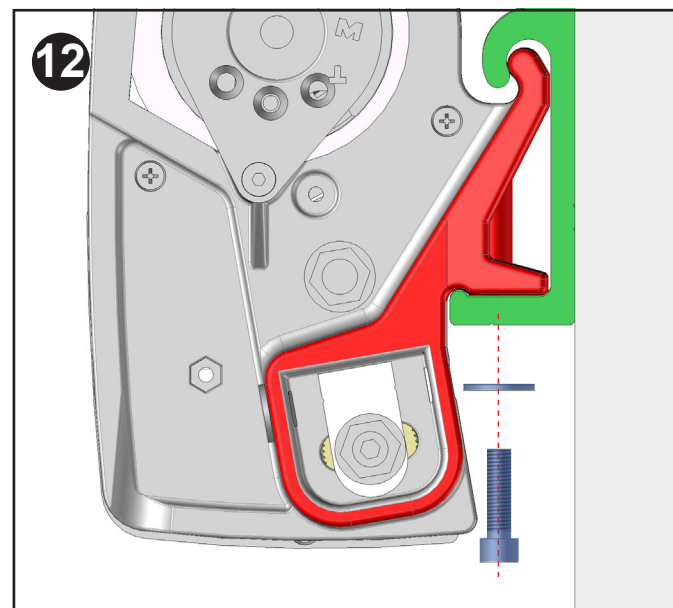
7  Adapt fixing to the type of wall. Fixing with $\text{Ø}10\text{mm}$ screws. Screw kit and washer not supplied.
When installing the Awning using a chemical sealant kit, refer to the instructions for use of the product used.



Attention : make sure that the wall brackets are level for final fixing.



Before fixing the Awning, make sure it is correctly positioned on the brackets.



Attention
Make sure the screws are tight before opening the Awning. Risk of the awning falling down. Moderate tightening, maximum torque 24Nm.

ATTENTION,
If the Awning is not properly fixed or installed, it may fall down.
We accept no liability for any damage to property and/or personal injury caused by incorrect installation.

- 13** Connect the motor.
- Refer to the motor manual supplied with the product.

SETTINGS



The end-of-stroke, elbow arm, Front bar and tilt settings are pre-set at the factory. However, on-site adjustment may be necessary once installation is complete. If in doubt about the correctness and safety of your adjustment, contact a professional.

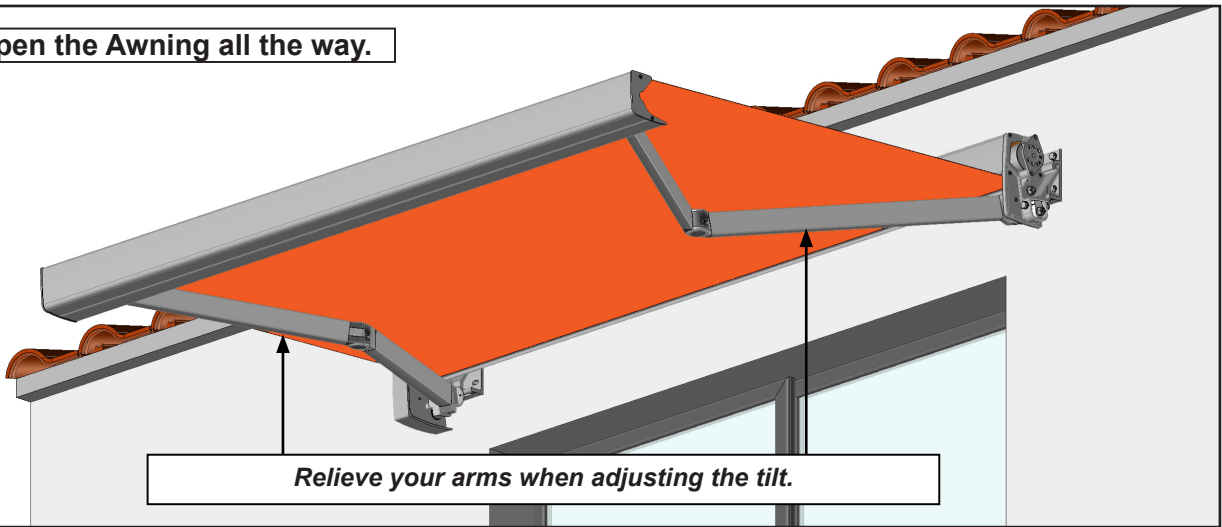
During installation, only adjust the tilt of the arms as required.



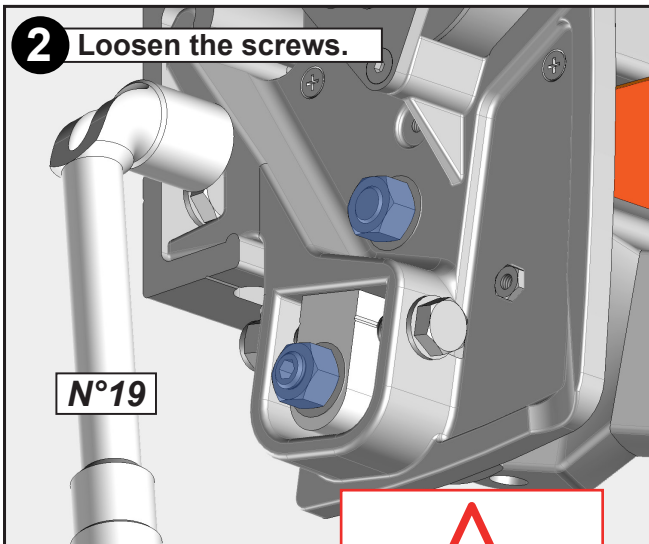
A - Adjustable arm inclination.

All operations must be carried out on both sides of the Awning.

- 1** Open the Awning all the way.

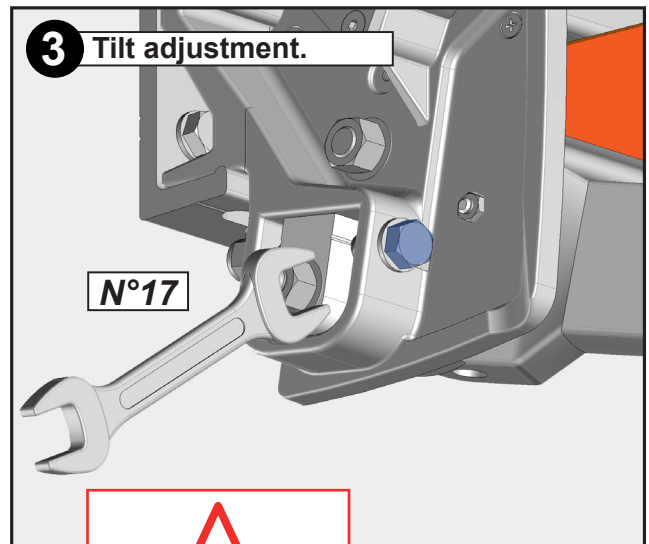


- 2** Loosen the screws.



Caution Operation 2 :
do not unscrew the screws
completely.

- 3** Tilt adjustment.



Caution Operation 3:
Relieve your arms when
adjusting the tilt.

- 4** Retighten the screws.

ATTENTION,

Make sure that the tilt adjustment is symmetrical and that the screws and all the awning components are securely locked before opening or closing the awning.

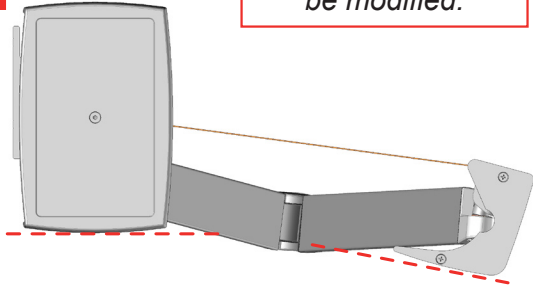
B - Front bar adjustment.



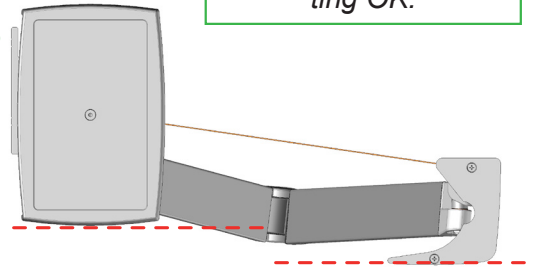
If you change the angle of the arms, adjust the Front bar.
Adjust the Fasteners as required. Caution: incorrect adjustment of the Front bar may cause your awning to close incorrectly.



The Front bar must be level with the Awning



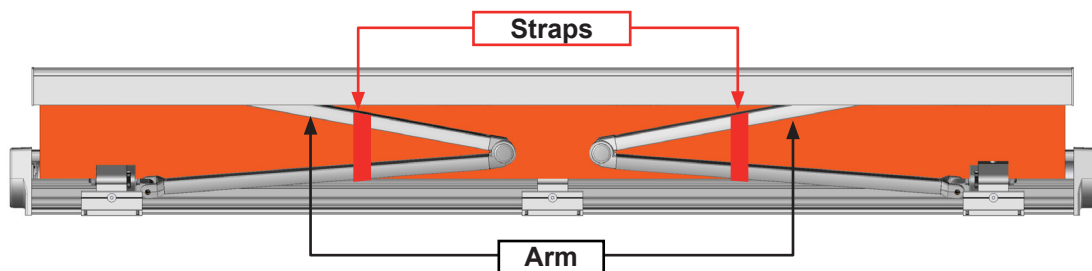
Front bar setting to be modified.



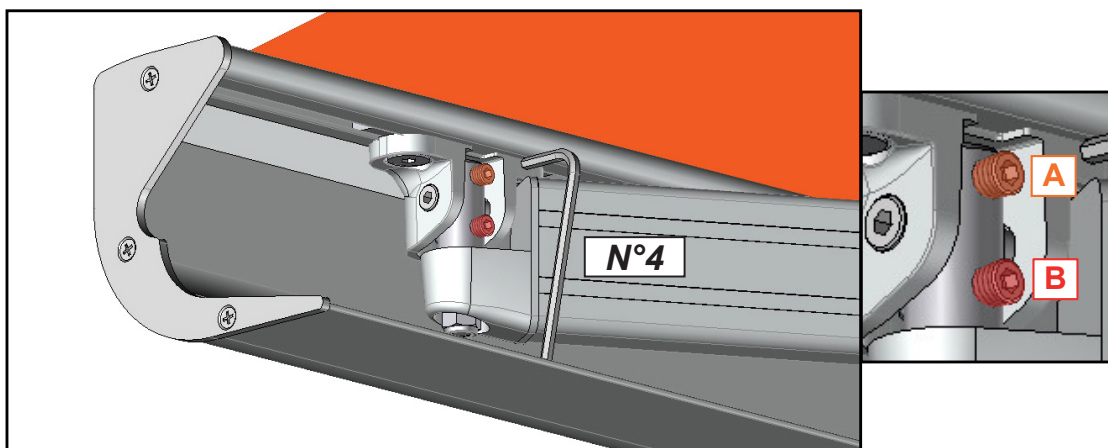
Front bar is level, setting OK.

Front bar adjustment :

- 1 - Open the awning 30cm and strap the arms.
- 2 - Relax the fabric: Open the awning a further 5cm.
- 3 - Loosen screws A and B.
- 4 - Adjust the orientation of the Front bar manually.
- 5 - Retighten screws A and B to lock the Front bar.



Carry out this operation on both fasteners.



ATTENTION,

Make sure the straps are securely fastened during adjustment. Remove the straps after adjusting the Front bar and make sure that the screws and all the awning components are securely fastened before opening or closing the awning.

C - Adjustable arm bends. Awning opens to 30cm.

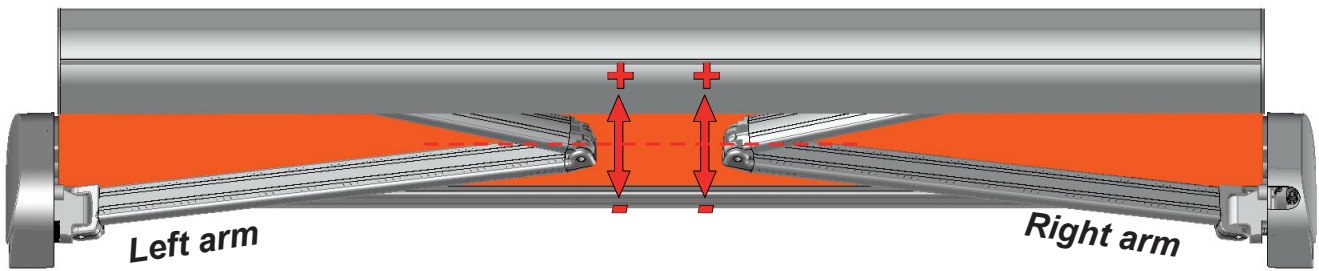
1 Loosen the arm support screws. Same as paragraph on arm inclination adjustment.



Caution Operation 1 :
do not unscrew the screws
completely.

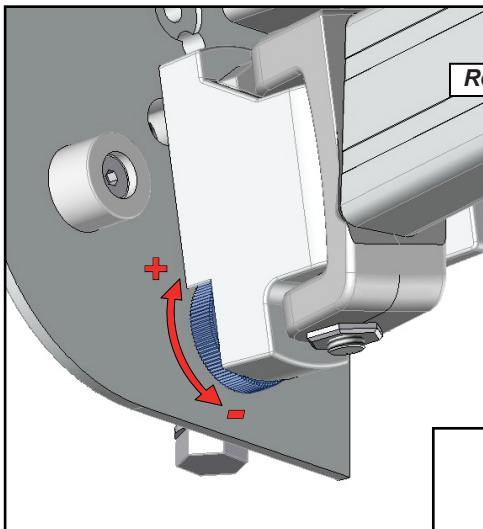
2 Elbow adjustment

The elbows of the arms must be at the same level.

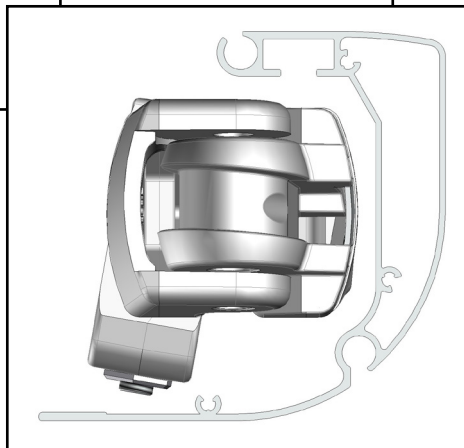
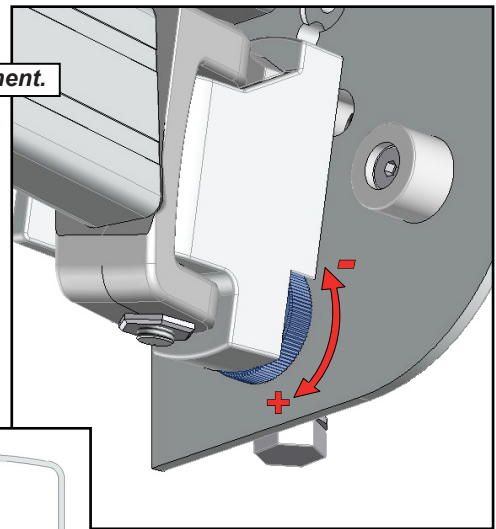


Awning open by 30cm :

- Raise the elbow (+): Turn the knob towards + Use a socket spanner.
- Lower the elbow (-): Turn the knob towards - Use a socket spanner.



Relieve the arm during adjustment.



The arm elbow must be centred in the
Front bar. No contact between the two
elements.

ATTENTION,

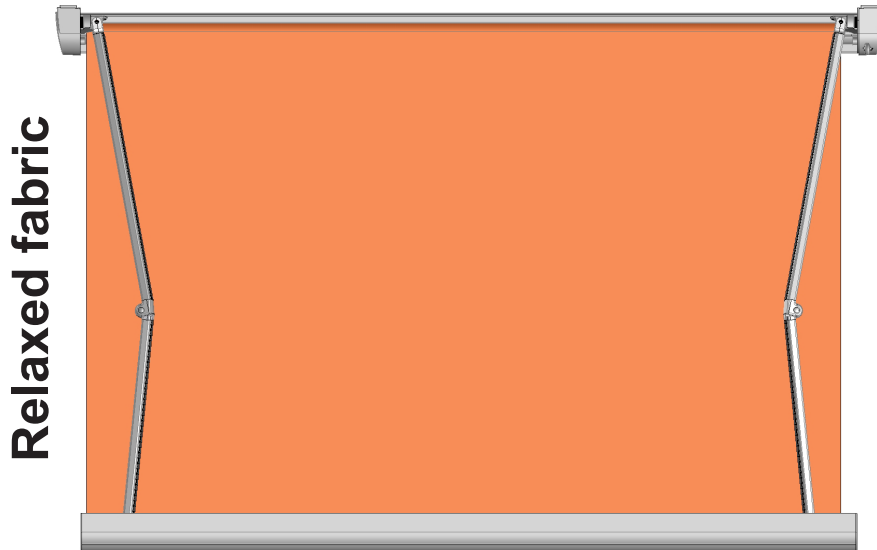
Make sure that the arm elbows are symmetrically adjusted and that the screws and all the awning components are securely locked before opening or closing the awning.

D - Adjustment of the bending of the Front bar. Awning open, fabric relaxed.

Awning open with fabric slackened :

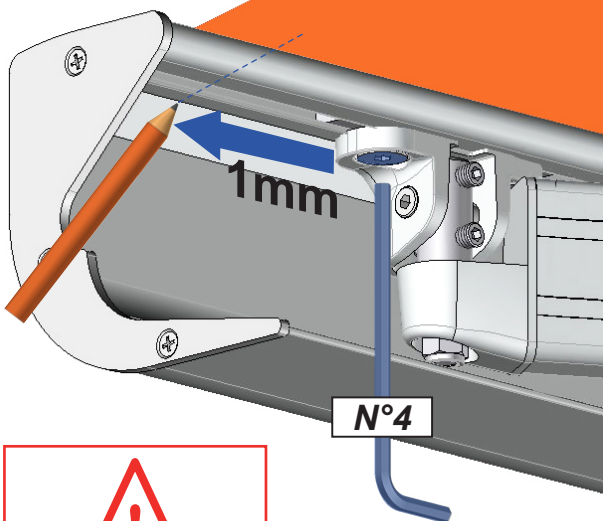
- Manual awning: open the awning using the crank until the fabric is slack.
- Electric awning: open the awning as far as the opening stop, then use a hexagonal key to turn the motor's end-of-travel adjustment screw to slacken the fabric.

The arms should no longer be under tension.



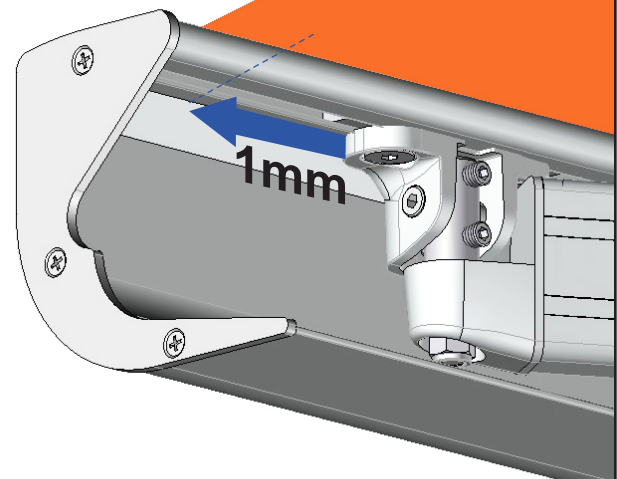
Carry out this operation on both fasteners.

1 Loosen the fastener screws.



Caution Operation 1 :
do not unscrew the screws
completely.

2 Shift the fastener outwards by 1mm.



ATTENTION,

Make sure that the curvature is symmetrical and that the screws and all other parts of the awning are properly locked before opening or closing the awning.

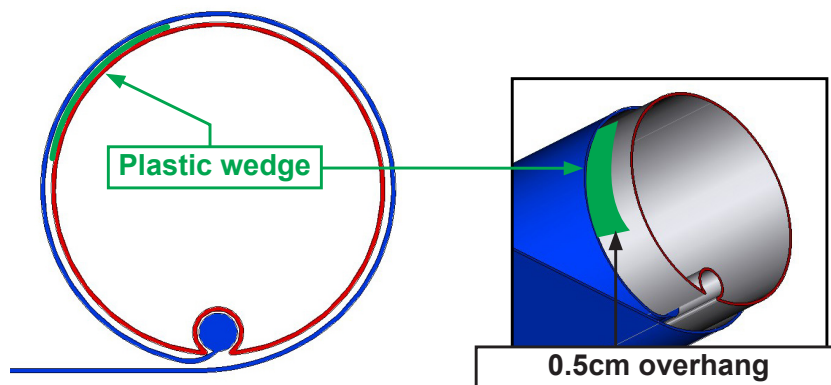
E - Adjustment of motor limit switches.

1 Remove the engine side trim panel.

2 Refer to the motor manual supplied with the product.

F - Securing the fabric.

- The Front bar does not close on one side of the awning. Open the awning fully with the fabric relaxed. Use the emergency manoeuvre for a TMS motor (maximum 5 crank turns). Insert the plastic ring, folded in half, between the Roller tube and the fabric. The plastic ring is positioned under the end seam of the fabric. Check the closure. If the closure is not ideal, repeat the operation but increase the number of folds.



Non-contractual drawings

CONSUMER INFORMATION

► To find out more :

- The Front bar may bend slightly (4 to 5 cm). This is due to the considerable thrust of the arms and may cause a pocket in the fabric.
- A slight difference in the fibre bath or colour of the lacquer may be observed between two Awning if they are not purchased at the same time.
- Creases or mottling may appear. They in no way affect the quality or effectiveness of the Awning.
- Ripples may appear on the fabric. This is due to excess thicknesses caused by hems and seams, which put stress on the Roller tube.
- Only use the emergency manoeuvre to close the Awning in the event of a power cut. Use of the emergency manoeuvre outside these conditions will deprogram the motor limit settings. When using the manoeuvre, make sure that the crank is in line with the emergency socket.
- For an electrical installation with an unstable switch, make sure you leave it in the stop position after each use.

Problems

Causes

Solutions


My Awning is coming off the wall.	Screws not adapted to the composition of the wall.	Check that the brackets are correctly in place (follow the instructions in the leaflet). If fixing with a chemical sealant, refer to the manufacturer's instructions.
My Awning is not level.		Check that the mounting brackets are level. Level again. Check the level of the Front bar. Adjust the tilt of the arms (Adjustment Paragraph A)
Front bar does not close along its entire length	Lengthening of the fabric after several uses. Incorrect adjustment of the Front bar or arm bends.	Adjust the motor limit switches. (Setting Paragraph E) Adjust the inclination of the Front bar. (Setting paragraph B) Adjust the arm bends. (Setting paragraph C)
Front bar handlebars		Adjust the fasteners on the Front bar. (Adjustment Paragraph D)
The Front bar does not close on one side of the Awning.	Natural elongation of the fabric.	Shim the fabric using the plastic shims supplied (see section F for adjustment).
The electric manoeuvre no longer works.	The motor goes into thermal protection after 2 successive downward and 1 successive upward movement.	Wait for protection to end (20 minutes)
The electric manoeuvre no longer works.	Connection problem.	Check the motor connection Check that the motor is working by connecting it directly to the electrical supply. (blue black or blue brown)
My LED light won't come on.	Connection or programming problem	Check LED connection. Motorisation with LED lighting option. Reprogram the LEDs. Motorisation LED lighting option Programming.

Important : If you have any doubts about the safety of your work, call in a professional.

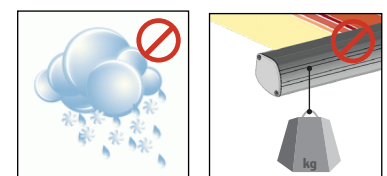
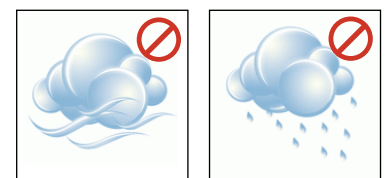
Declaration of performance



<https://www.mitjavila.com/conformity/>

	EN 13561 : 2015
	MITJAVILA-C248/21/001/090121
<i>For outdoor use in buildings and other structures.</i>	
MITJAVILAD900, KM7, BP99 66602 Rivesaltes cedex 21	STORE C248 Maximum size L.6m x Av.3.5m CLASSE 1
Total solar energy transmission	$g_{tot} = 0.23$

Do not deploy the Awning if :



Other dimensions

L.4m x Av.3.5m CLASSE 2	L.5m x Av.3.5m CLASSE 1
-----------------------------------	-----------------------------------

All fabrics

SunWorker $g_{tot} = 0.23$	TELYA II $g_{tot} = 0.23$
TIBELLY $g_{tot} = 0.17$	TELYA III $g_{tot} = 0.25$
DICKSON 0001 : $g_{tot} = 0.19$	



WARNING



- Never open the awning before it has been fully secured. Before opening the awning, you must make sure that the wall brackets and the fixing of the awning to these brackets have been correctly installed and that the arm brackets, Fastener and all other parts of the awning are tight. The awning arms are under tension and could cause injury if opened suddenly. Never open the Awning with a torn fabric.
- Check that your wall is flat. If the wall is hollow or curved, shim the supports to align them correctly. Incorrect alignment may cause the awning to malfunction, break or fall.
- Do not operate the Awning when maintenance operations, such as window cleaning, are in progress. Disconnect the Awning from the power supply when maintenance operations are in progress.
- Do not allow children to play with the controls. Keep the remote control devices out of the reach of children. Supervise your children to ensure that they do not play with the awning or the remote control.
- Watch your fingers during installation.
- No changes to the design or configuration of the equipment should be made without prior consultation with the manufacturer.
- Never use accessories not recommended by the manufacturer. These could create risks for the user and damage the Awning. Only use original parts and accessories.
- If the Awning is to be stored, it must be stored in a dry, dry place.
- Do not use the Awning in areas subject to vibrations or impulses.
- Use the correct fixings for the material of your façade. Ask a specialist for advice. Fixing hardware is not supplied.
- There must be a horizontal distance of at least 0.4 m between the fully extended awning and any fixed object.
- Do not unpack the Awning using tools that could scratch it.
- Never sleep with the awning open, as a sudden change in the weather could cause the awning to fall down.

USING THE AWNING :

- Do not use the Awning in adverse weather conditions. Use in freezing conditions may damage the Awning. Do not use the Awning on rainy days. In these cases, the Awning must be in the folded position.
- Take care when unfolding the awning, as it can quickly fall down if it is weakened or damaged. Never use the awning if it is damaged. Disconnect the awning from the power supply (switch or fuse), then contact a specialist.
- Only use the Awning for its intended purpose.
- We accept no liability for damage caused by incorrect use or failure to follow the instructions.
- Do not hang anything on the frame or folding arms of the Awning. It could fall and cause material damage and/or personal injury.
- Do not hang from the awning frame or folding arms. It could fall and cause material damage and/or personal injury.
- Make sure you leave enough space around the awning when you roll or unroll it.
- When you first open the awning, open it 50cm and check that the screws and nuts on the wall brackets, arm brackets and fasteners are tight. Do not open the Awning if any screws are loose.
- Do not use a barbecue under the Awning or light a fire nearby.
- Using the product in freezing conditions may damage the product.

AWNING ADJUSTMENT :

- The end-of-stroke, arm bend, Front bar and tilt settings are pre-set at the factory.
- Awning adjustment must be carried out with care because of the constraints involved, and requires a certain level of skill. If you have any doubts about the correctness and safety of your adjustment, call in a professional.
- After making any changes to the settings, make sure that all the awning components are properly tightened.
- Incorrect adjustment can lead to improper use of the Awning and cause it to deteriorate.
- If the Front bar is not level, the awning does not close properly or the arm elbows are out of alignment, the awning must be adjusted.
- Do not use the Awning if adjustment is necessary.

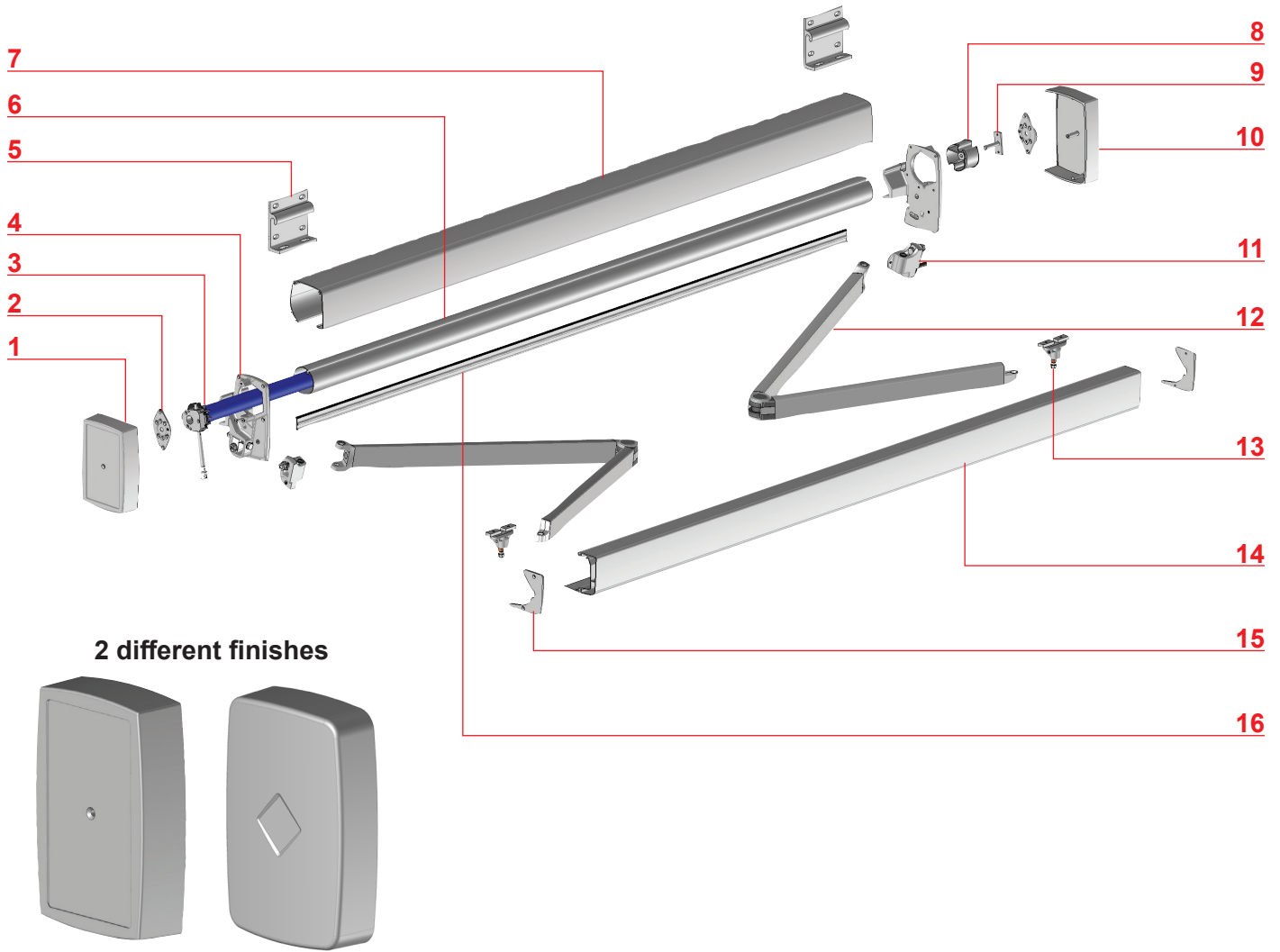
REPAIR AND MAINTENANCE :

- Never attempt to dismantle or repair an Awning without the necessary qualifications. Call in a professional to carry out any necessary repairs.
- Do not use the Awning if a repair is required.
- Check the installation frequently throughout the year to detect any imbalance or signs of wear to the awning parts or fabric.
- Check the awning's wall fixings, arm support clamp screws and arm fastener clamp screws frequently throughout the year.
- Do not roll up a wet fabric; dry it as soon as possible. Risk of mould.
- Clean the fabric and frame at the beginning and end of the season. Do not use detergents.

ELECTRICAL PART :

- Before handling, make sure that the electricity supply is switched off. Danger of electrocution.
 - If the power cable is damaged, it must be replaced by a qualified person (after-sales service or electrician) to avoid danger. The power cable for this actuator may only be replaced with the same type of cable (same wire cross-section and same protection rating).
 - The actuator is intended to be installed at a height of at least 2.5 m from the ground or any other level of access.
 - The electrical wires must be connected in accordance with the electrical standards in force in France (standard NF C 15100). If in doubt, contact an approved electrician.
 - Before connecting the Awning to a power source, check that the voltage of this power source and the rated voltage correspond to the power supply specifications in the manual.
 - Do not get the control box wet. The automated system must be positioned away from bad weather.
- Do not allow children to play with the control unit.

EXPLODED VIEW



Reference	Designation
1	Finishing flange on the manoeuvring side
2	Manoeuvring support
3	TMS motor
4	Support angle cheek
5	Wall bracket
6	Roller tube
7	Aluminium cassette
8	Hollow Pin end plug
9	Roller tube axle
10	Finishing flange on the opposite side to the manoeuvre
11	Arm support
12	Tension arm
13	Arm fastener
14	Front bar profile
15	Front bar profile plug
16	LED holder