

MITJAVILA



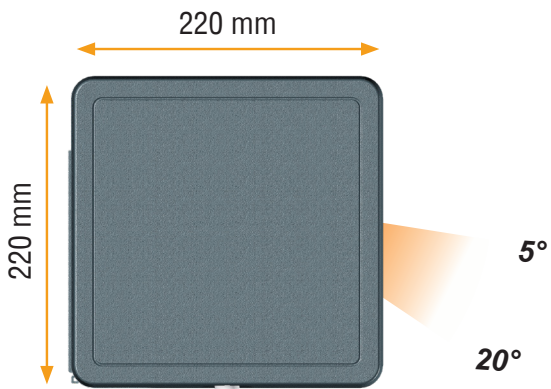
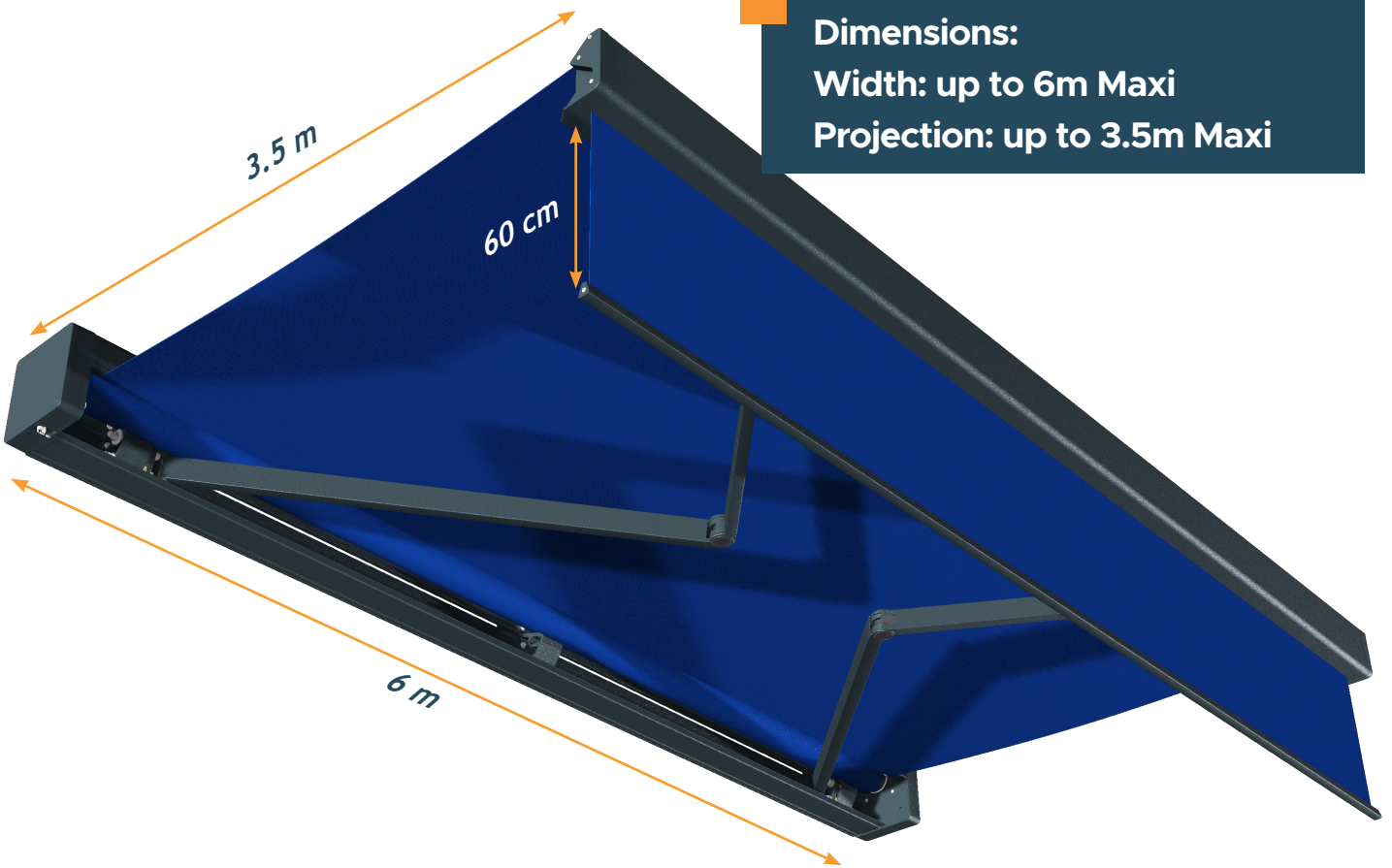
AWNING 220

- Modern aesthetics
- Complete assembly
- Integrated lighting
- Adjustable valance
- Reinforced structure

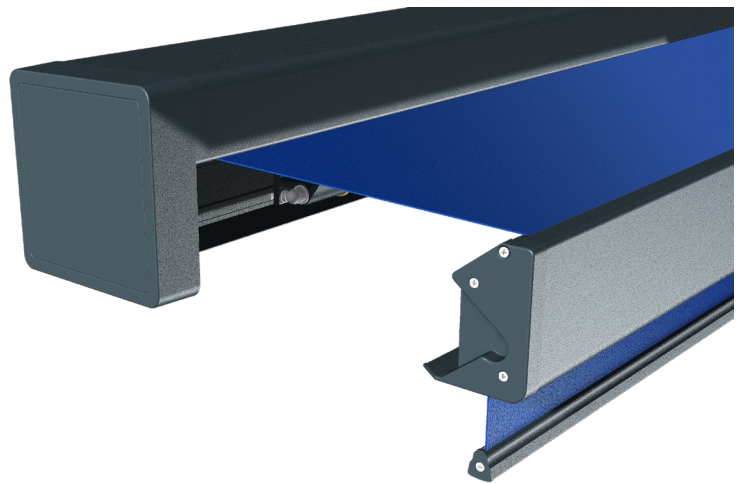


www.mitjavila.com

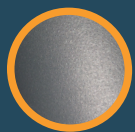
Dimensions:
Width: up to 6m Maxi
Projection: up to 3.5m Maxi



Frame dimensions
Tilt 5° to 20°



Standard Colors



RAL7016-ST



RAL9010

Fabric Collection

Tibelly
COLLECTION





Operation Options

Our maneuvers

Vibration Sensor

Weather Sensor

■ Switch Motorization



■ Remote Control TMS Motorization



■ Remote Control TME-C Motorization



■ LED Lighting Option Motorization

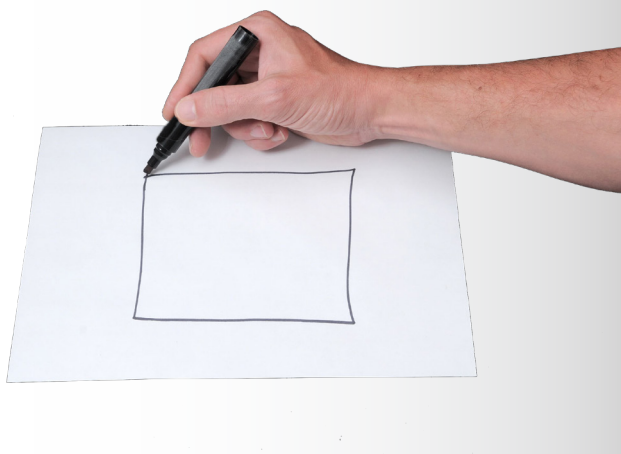


■ LED Lighting Option Motorization



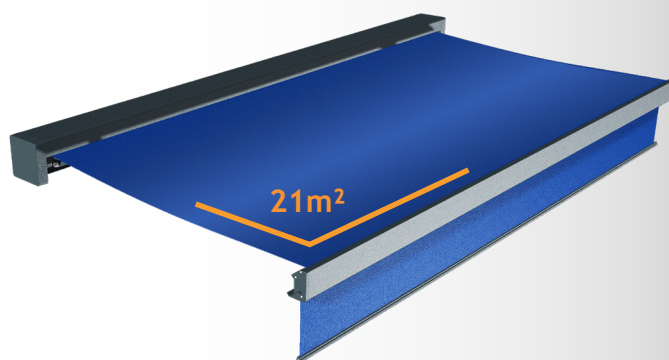
MODERN DESIGN

The perfectly square box, measuring 22x22 cm, is universal and adaptable to any structure, seamlessly integrating into contemporary architecture. Aesthetically modern, the sleek embellishment follows current trends.



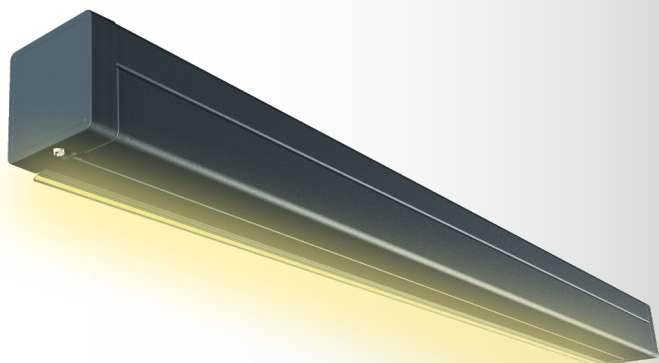
SUN PROTECTION

With its spacious dimensions, this awning provides extensive coverage to create a shaded and comfortable outdoor space, ideal for fully enjoying your terrace.



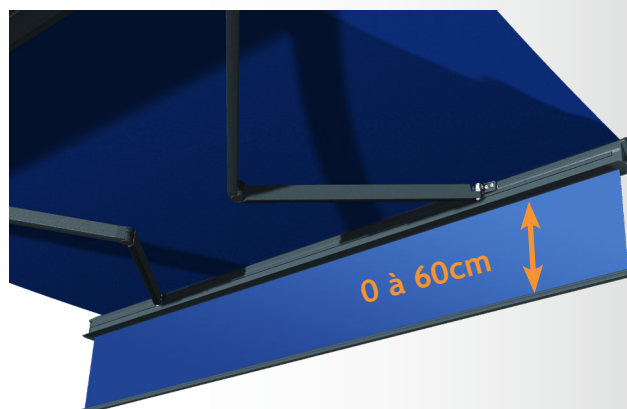
DAY AND NIGHT COMFORT

The box is designed to accommodate lighting, such as an LED strip, for use both when the box is open and closed. Moreover, the supporting and pivoting profile allows for adjusting the brightness.



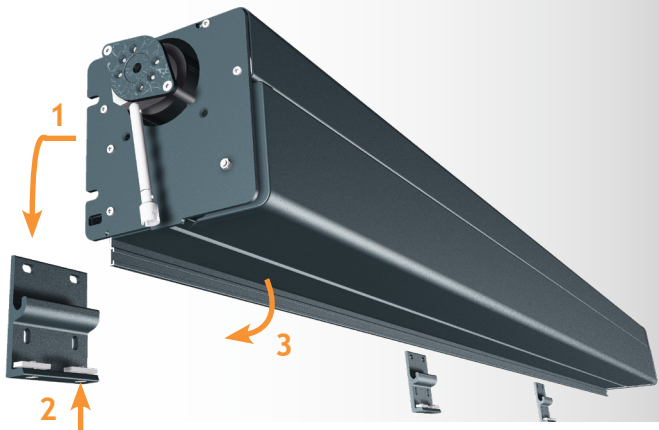
ROLLABLE VALANCE

Large-sized rollable valance designed to meet your shading and sun protection needs. With its winch-operated system, precise control of your outdoor shading is ensured.



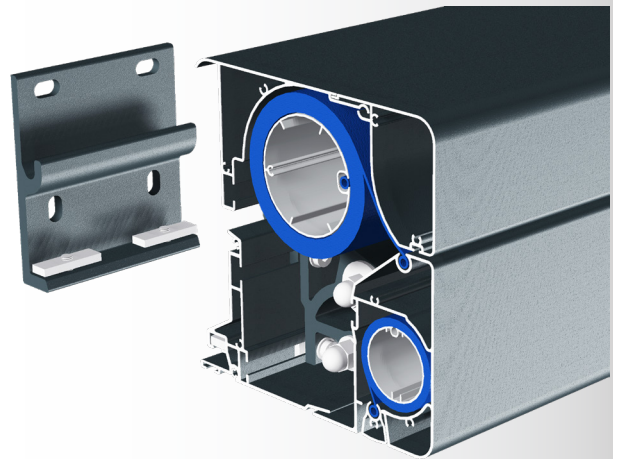
QUICK INSTALLATION

The extruded wall bracket simplifies wall attachment and allows for the rapid hanging of the pre-assembled awning. Installation is straightforward: the awning is mounted in one piece on two or three wall brackets. The underside profile is integrated into the box; it pivots once the attachment is completed.



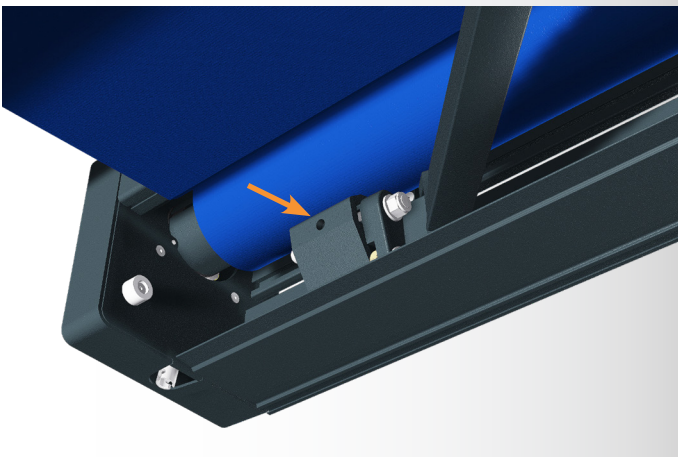
FULL ASSEMBLY*

Designed to be assembled and installed in its entirety, without the need for additional parts. This means that all components are pre-assembled, with no additional underside or finishing profile.



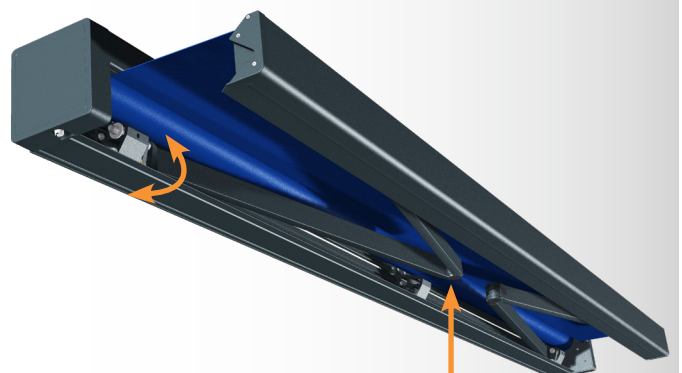
ORIENTATION

An ingenious mechanism integrated into the arm support allows adjusting the awning's orientation from 5 to 20 degrees by turning a screw for each arm.



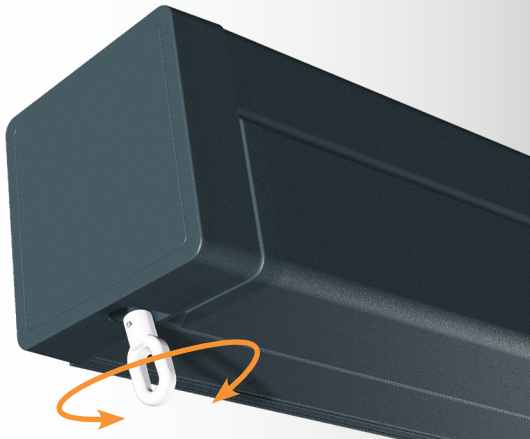
TILT

It is possible to adjust the tilt angle of the arm between the fork and the elbow, allowing precise adjustment of the elbow's tilt to ensure optimal closure in the box.



WINCH TA1/9

This awning is available with a winch operation, eliminating the need for a complex electrical installation related to wiring while providing easy and convenient operation.



EMERGENCY OPERATION

The motor is equipped with an emergency operation in case of a power outage, directly accessible without the need for disassembly.



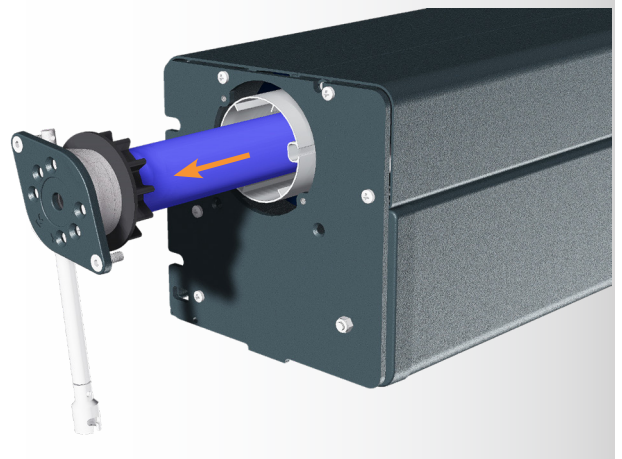
DURABLE MATERIALS

The structure is designed to endure environmental conditions over the long term. Extruded aluminum (wall bracket, box, load bar, arm support, and winding tube), aluminum cast parts, and A2 stainless steel screws.



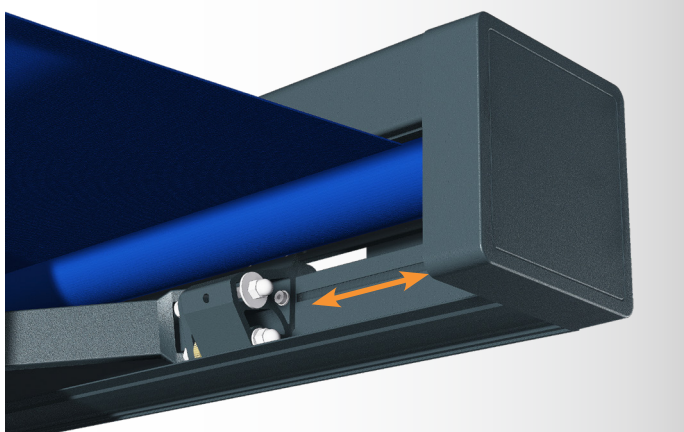
ACCESSIBILITY

The motor and adjustment screws are concealed between the cheek and the embellisher for impeccable aesthetics. The motor support is removable, facilitating replacement without unhooking or disassembling the awning.



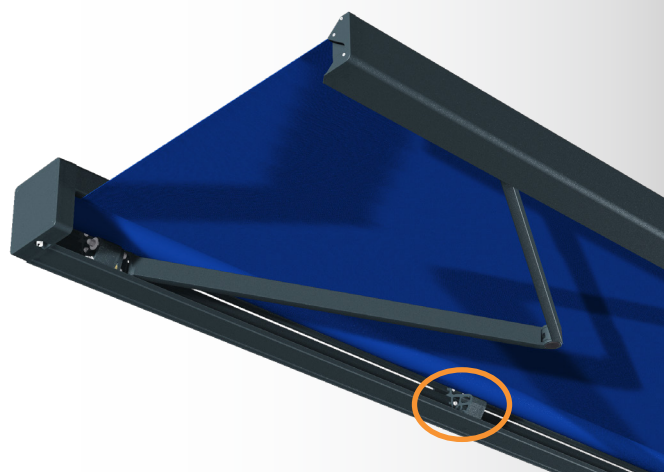
INDEPENDENT SUPPORT

The arm support, independent of the cheeks, can be moved inside the awning to enhance the rigidity of the profiles and improve the tension of the fabric on larger dimensions.



CENTRAL SUPPORT

The central support plays a crucial role in reinforcing the attachment of the box to the wall, resulting in a significant reduction of the box's flexion.



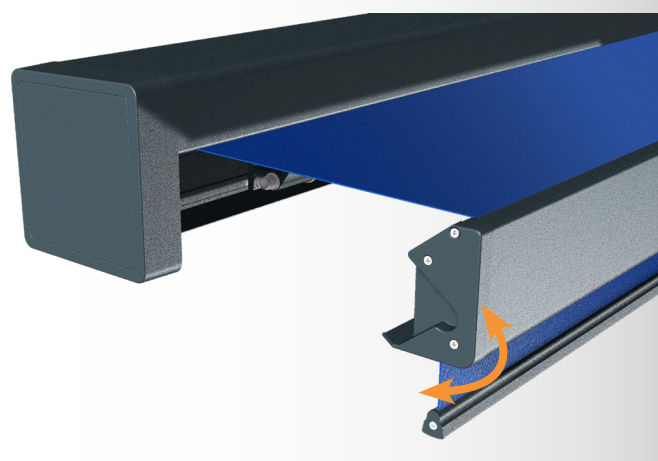
HIGH-QUALITY FINISH

Its top rolling ensures optimal tension. The system also includes a brush seal to dust off the fabric during rolling, thereby preserving its cleanliness.



ADJUSTMENT

The load bar allows for an orientation adjustment at the hook level, aligning all profiles according to the awning's orientation. The plug of the load bar is equipped with a guide, ensuring precise positioning during closure.



MITJAVILA



European Manufacturing

Since 1970, our company has been ensuring the design, assembly, and production from 10 specialized units located in Southern Europe. This is also a guarantee of quality and supply chain security for all our customers.



The repairability score

All our frameworks are fully dismantlable.



100% Recyclable Aluminum

All our frameworks are composed of aluminum parts, components, and profiles. They are fully dismantlable and recyclable.



www.mitjavila.com