

Keep out of reach of children



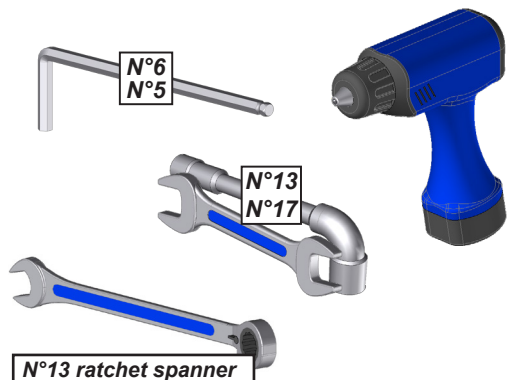
Pergola Horizon 2 and 3 Cylinder replacement



2 people
1/2 day

PREPARING FOR INSTALLATION

Tools required



IMPORTANT

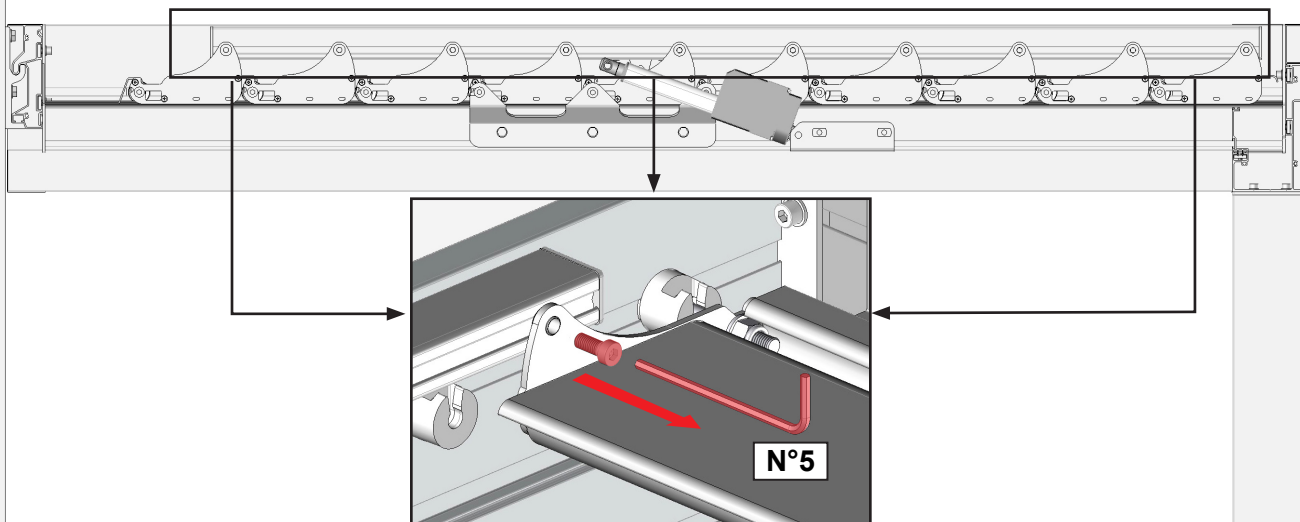


ATTENTION, make sure the power is off before handling.

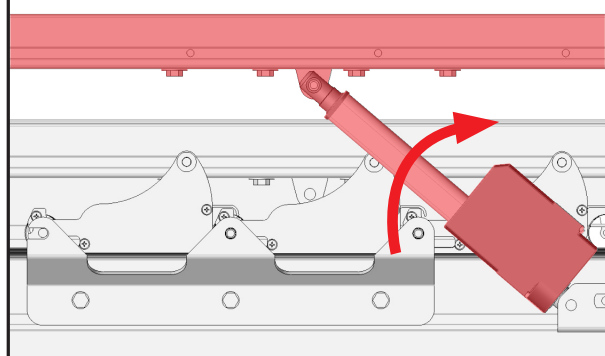


ATTENTION, follow the instructions in the manual carefully. Incorrect assembly may cause the product to malfunction. The explanations are dedicated to the example of the replacement of a cylinder mounted on a left-hand support Rafter.

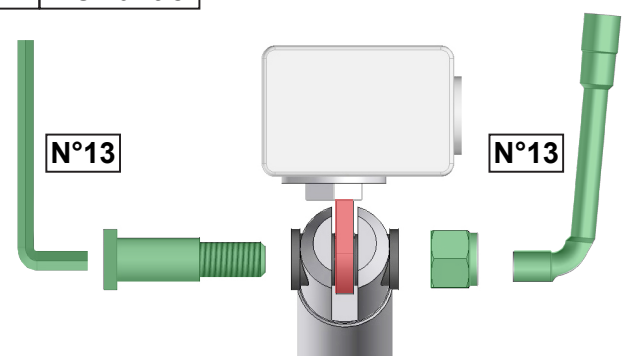
1 Remove the 2 operating profiles from the faulty cylinder.



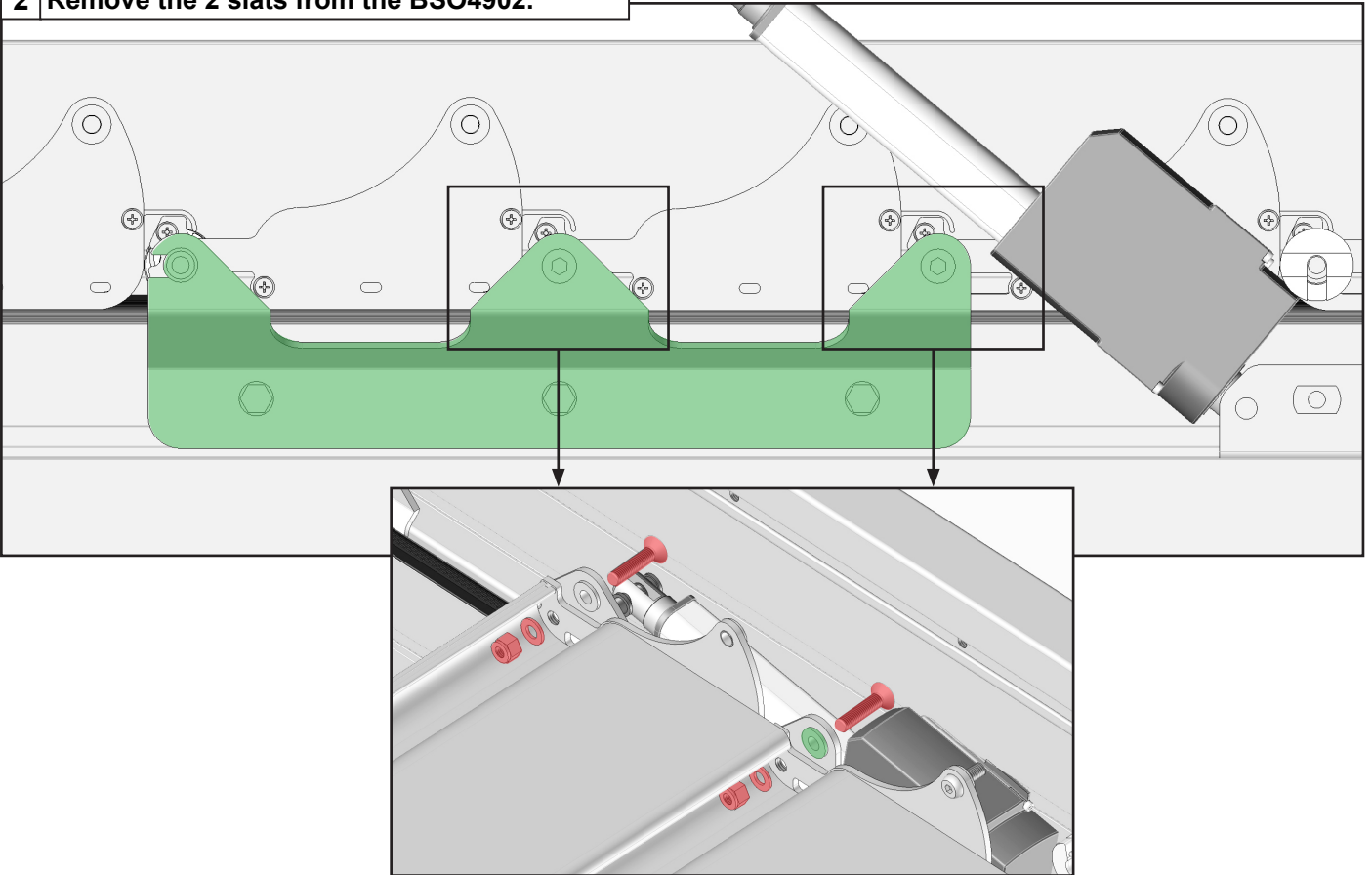
B



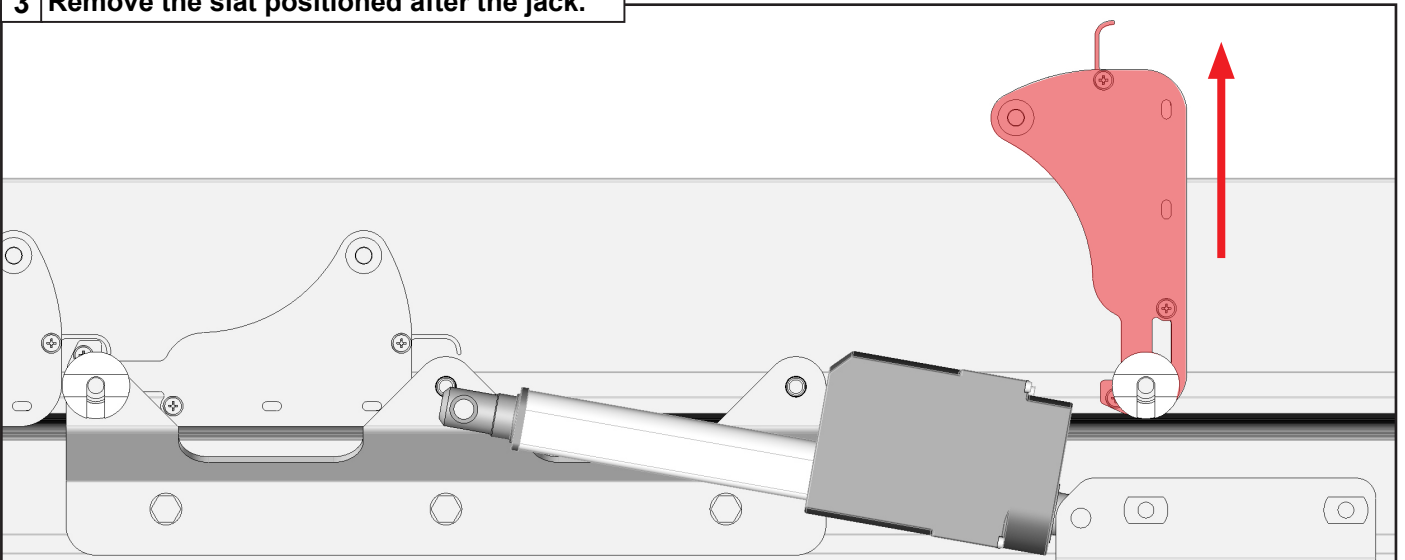
C Dismantle.



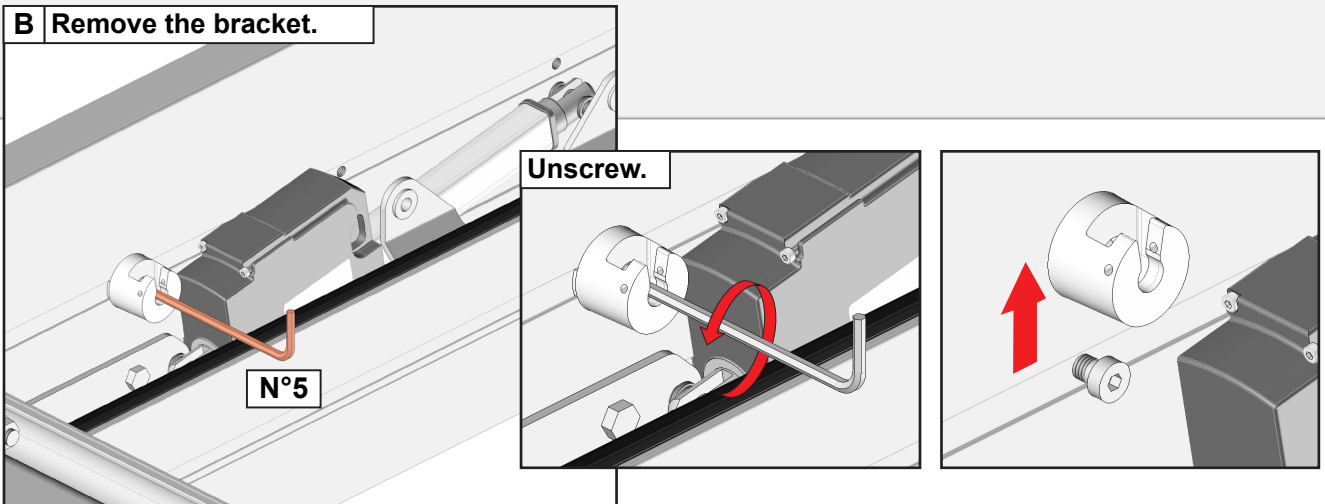
2 Remove the 2 slats from the BSO4902.



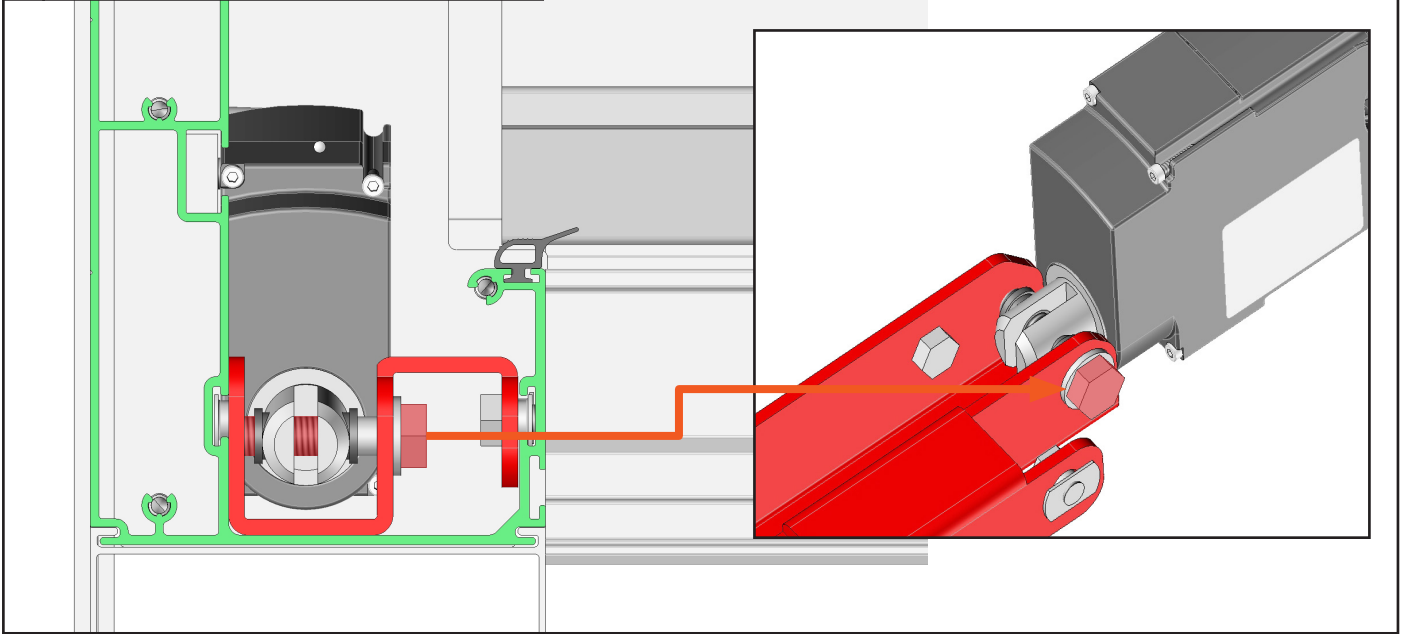
3 Remove the slat positioned after the jack.



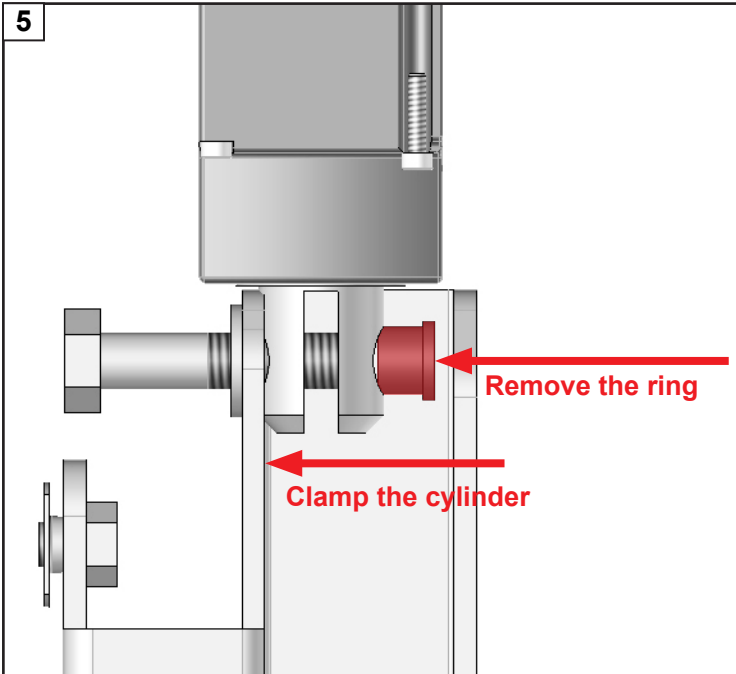
B Remove the bracket.



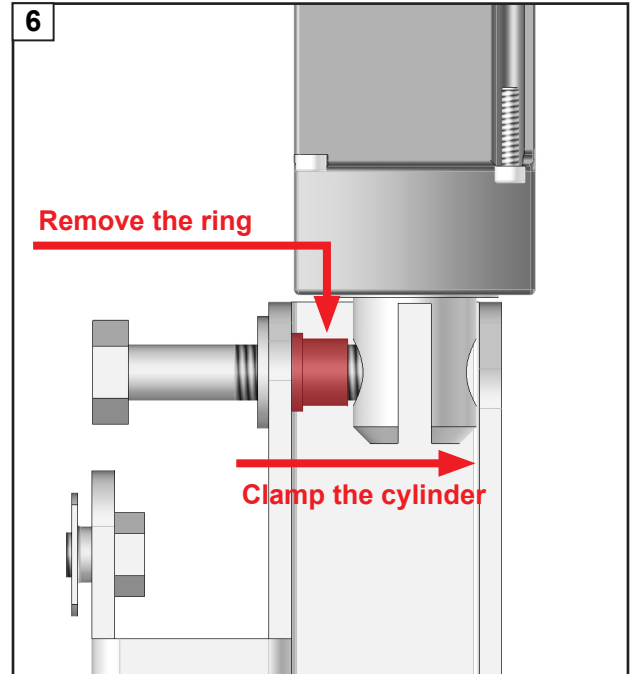
4 Unscrew the jack screw completely.



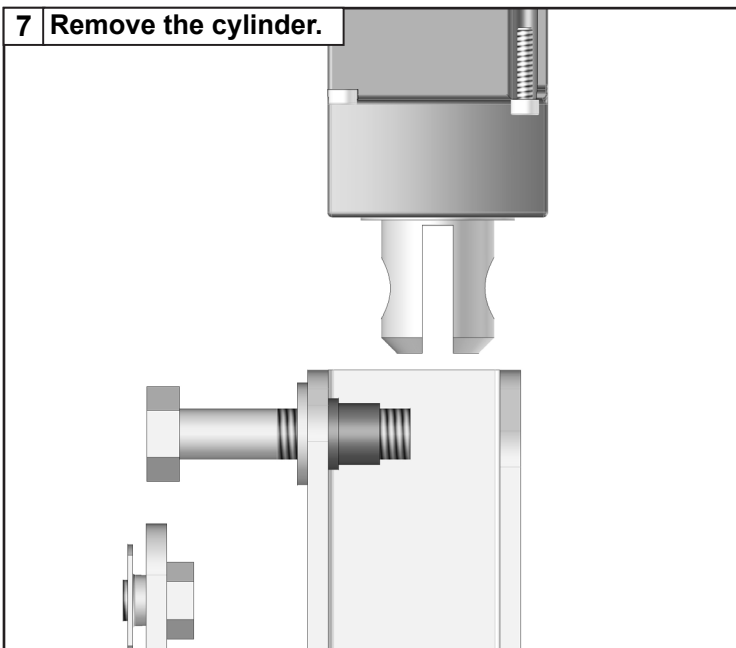
5



6



7 Remove the cylinder.



8 Fit the replacement cylinder in its slot. Reassemble the dismantled components and program the cylinder, referring to the instructions supplied with the product.

Pergola Horizon 2 and 3 Cylinder replacement