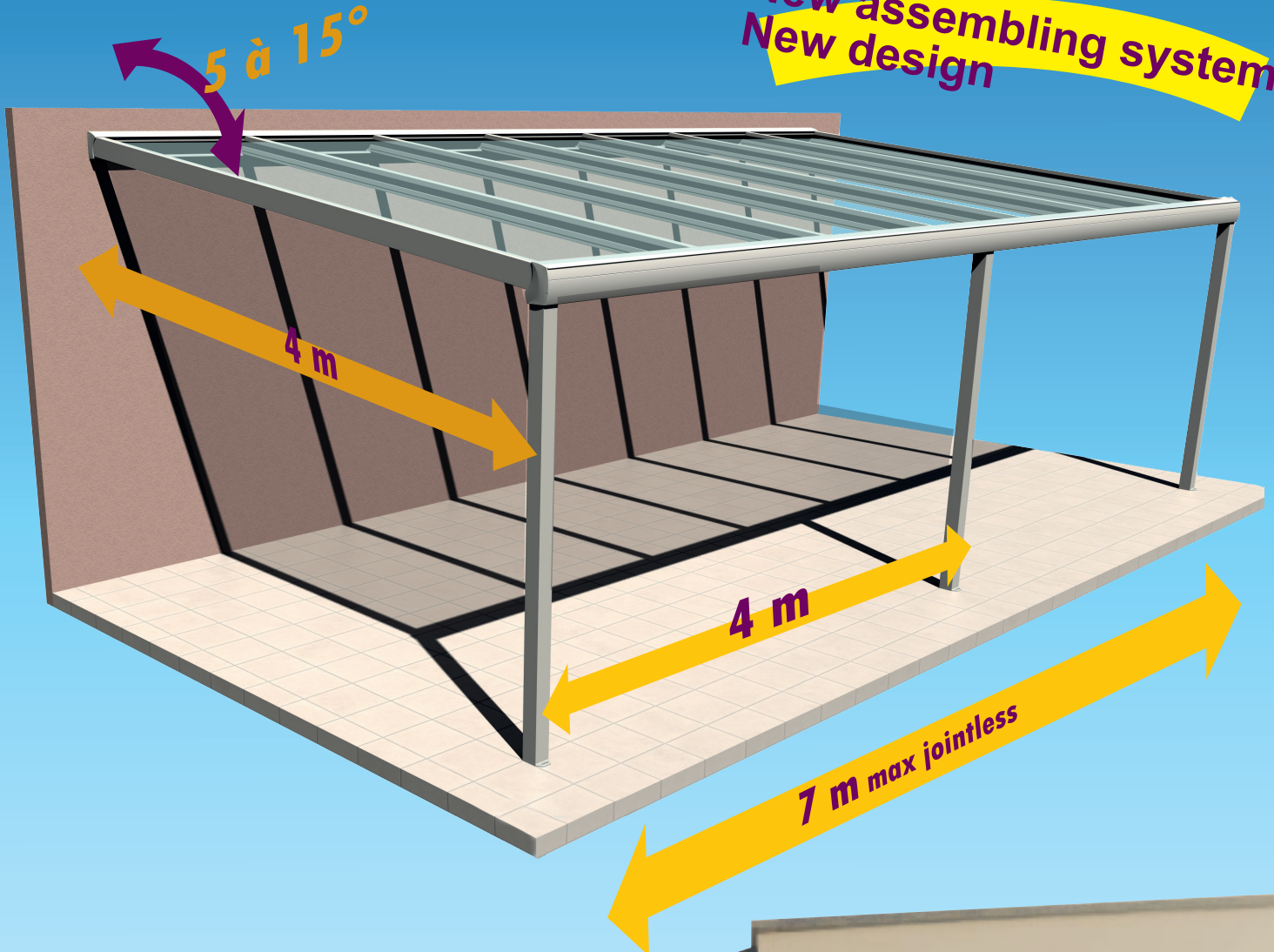


PERGOLA POLY-TOP Classic



New assembling system
New design



ADVANTAGE :

- New profils : cross et central bars
- Easy tilt adjustment thanks to rotating blades
- Simplified assembly with clipped sections
- Frame includes polycarbonate 32 mm (translucent or opal and thermotop 32 mm)
- Highest width board up to 1.20 meters
- Tilt adjustment from 5° to 15°
- Led lighting option
- Multi-function : driveway or terrace

 **MITJAVILA**

France : professionnels@mitjavila.com
Export : export-fr@mitjavila.com

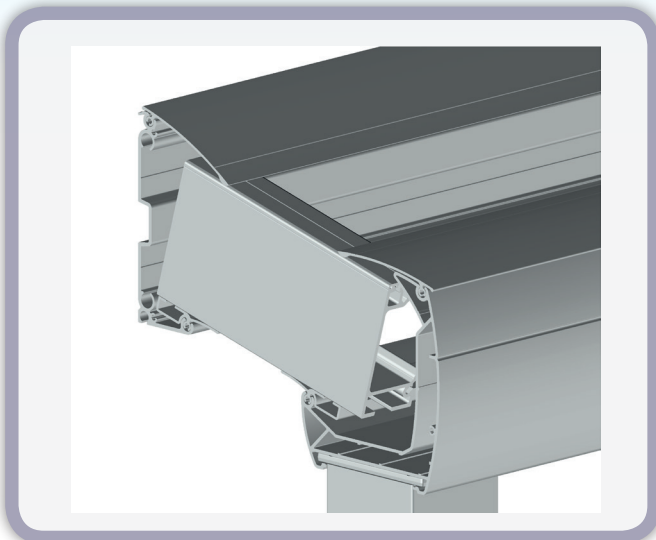
TECHNICAL INFORMATION

Our new pergola is compatible with all 32mm thick panels, both Polycarbonate panels or sandwich panels in order to adjust sunlight according to your needs.

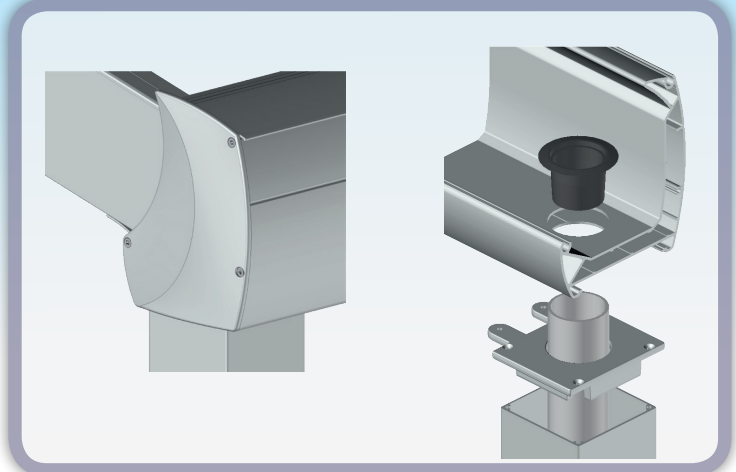


Maximum dimensions

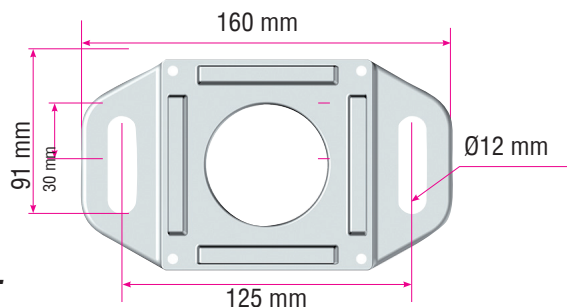
Panel width: **1.2 mètres Max**
Width between posts: **4,00 mètres**
Max projection: **4,00 mètres**
Passage height : **2,50 mètres**
Tilt adjustment from **5 to 15°**



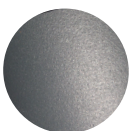
Every aluminium sections are upright to 90° for ease of manufacturing and assembling process.



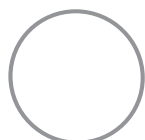
The rain water is drained off through hidden 50 mm PVC drainage tubes. The covering roof made in polycarbonate ensures waterproof system.



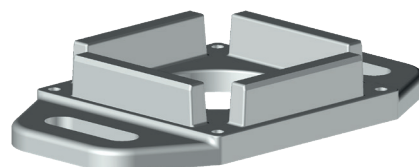
STANDARD FINISHES



**RAL 7016 ANTHRACITE
GREY**
Textured finish

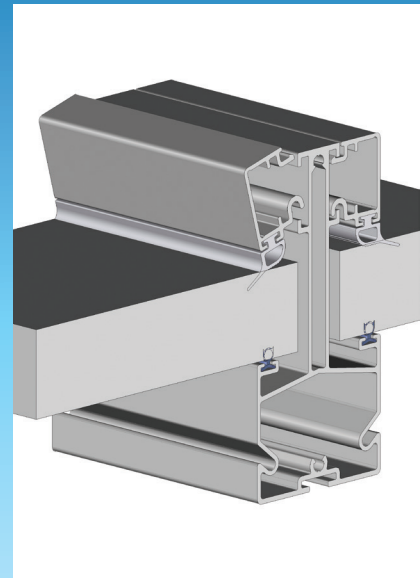
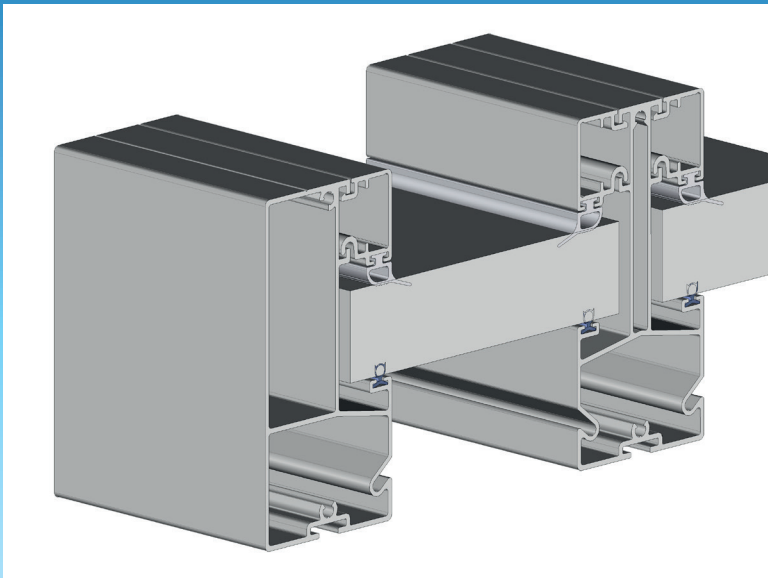


RAL 9010 white
Glossy finish

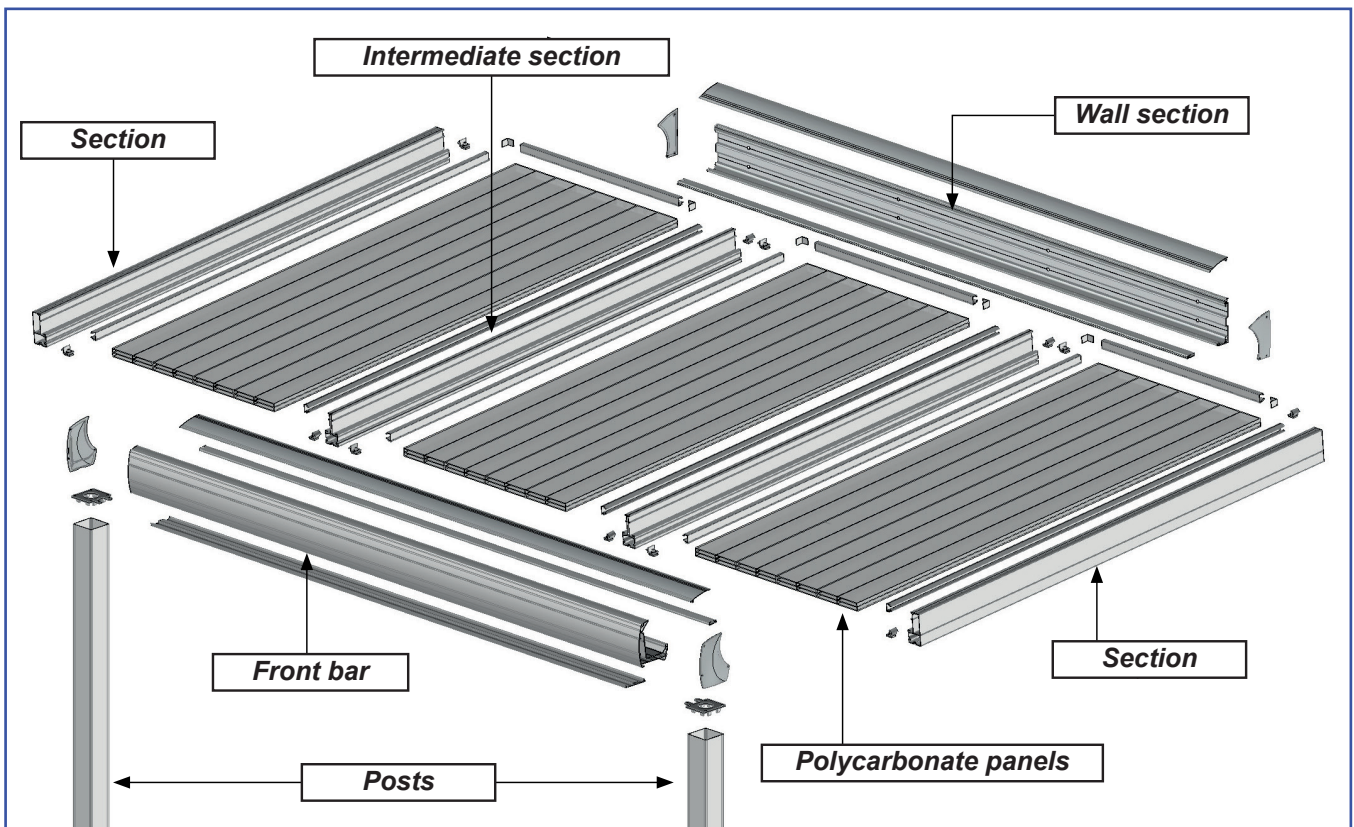
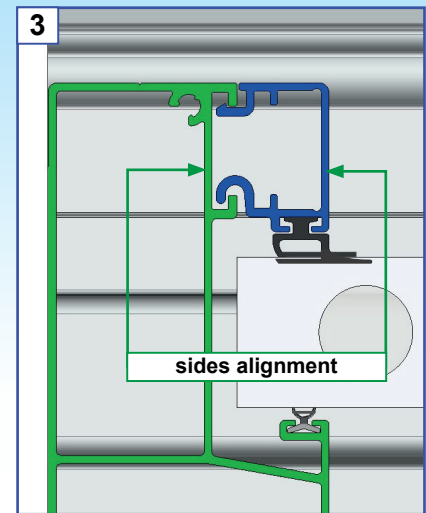
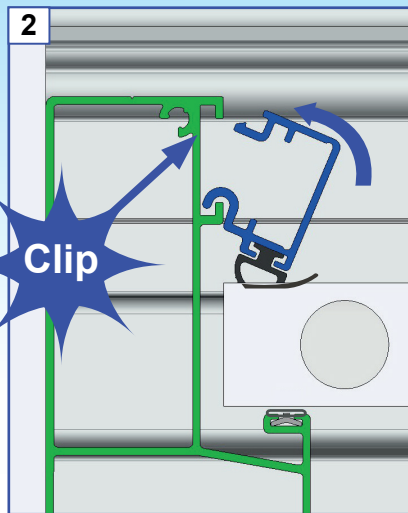
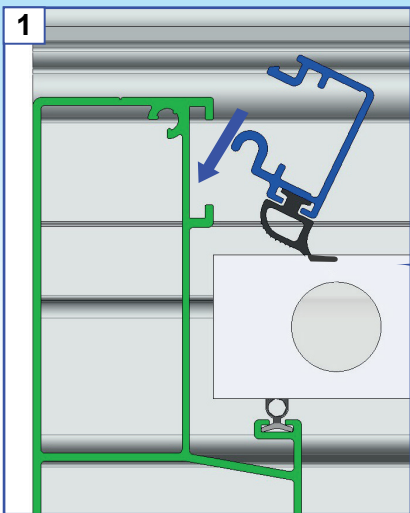


Ground fixation support : **ST34**

TECHNICAL INFORMATION



Polycarbonate panels are locked with aluminium sections.



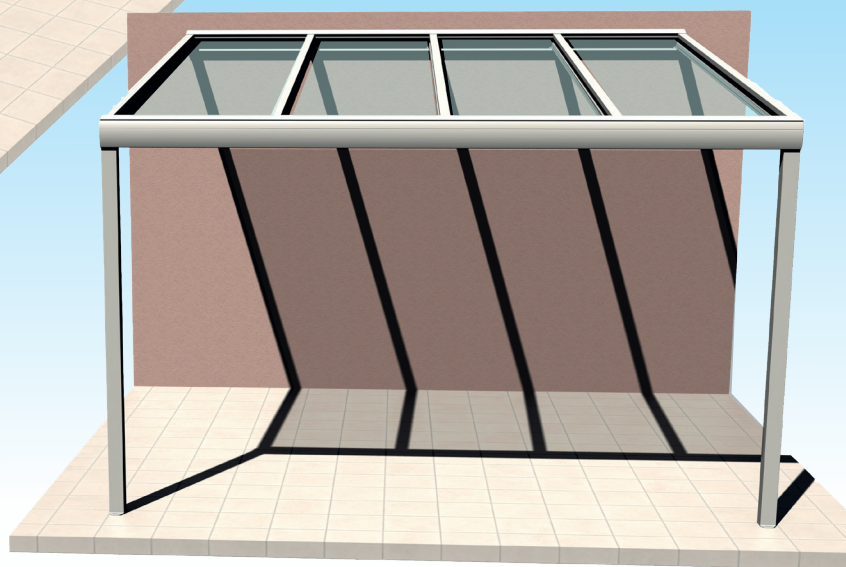
PERGOLA POLY-TOP Classic

Smart and modern frame

Made-to-measure system

A stylish and functional frame
to integrate into your home

Enjoy your terrace



Available in
free-standing
up to 7 m width

LED

- 1 string of adjustable LED lightning (3 sides in total)
- Centralised LED lightning control with remote control



 **MITJAVILA**

D900 - Km 7 - B.P.99
66602 RIVESALTES Cedex France
Tél +33 (0)4.68.38.20.00
professionnels@mitjavila.com
www.mitjavila.com

Retrouvez-nous sur :

