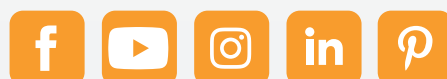


MITJAVILA



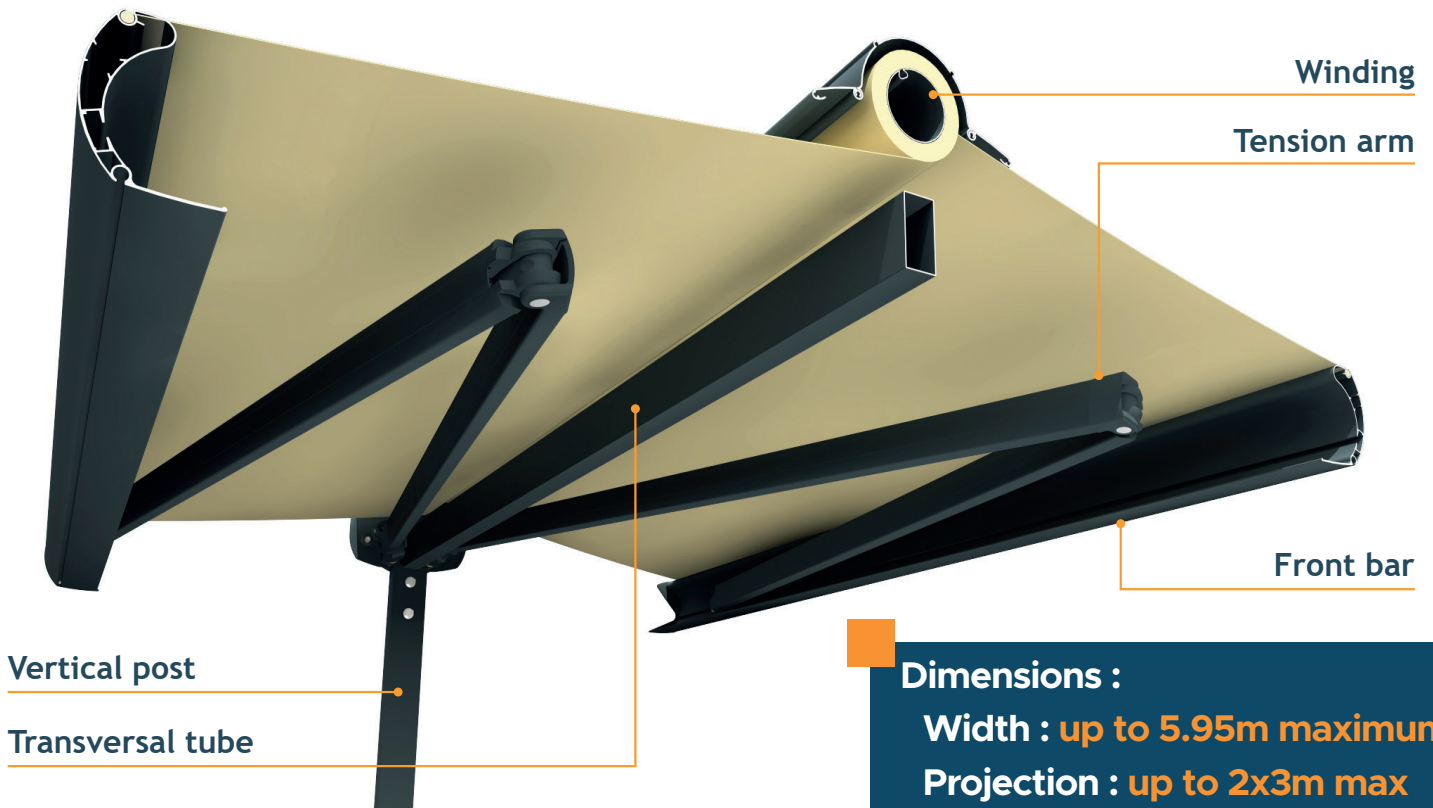
ABRI 265 DOUBLE-SLOPE AWNING

- Wide sun protection up to 36m²
- Simple assembly and installation
- Motorised operation with remote control
- Large choice of fabrics
- Various floor mounting options



www.mitjavila.com

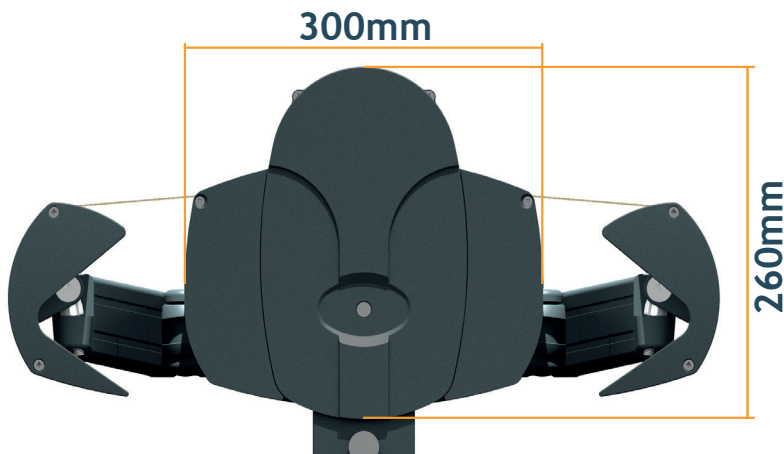
Our Dimensions



Dimensions :

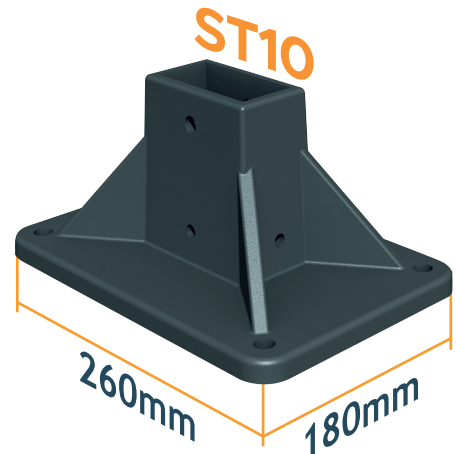
Width : up to 5.95m maximum

Projection : up to 2x3m max



Boxed dimensions

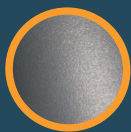
Tilt 0° to 15



Floor mounting plate dimensions

Standard ST10

Standard colours



RAL7016-ST
Textured anthracite
grey



RAL9010-ST
Textured white

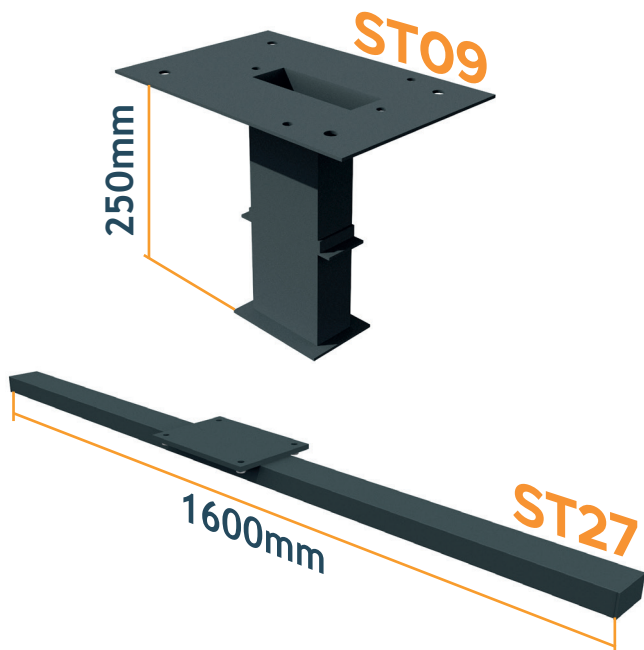
Canvas Collection

Tibelly
COLLECTION



Tibelly+

Our Options



Type of fixing

Our mounting systems

To be fixed

To seal

To ballast

■ Mounting plate ST10



■ Option ST09



■ Option ST27



Operating options

Our manoeuvres

Vibration sensor

Weather sensor

■ Manual with gear box



■ GM Remote Control Motorisation



Automatism AUTOMOPRO03

■ TMS solar remote control motorisation



Radio motor without automation

MITJAVILA



European manufacturing

Since 1970 our company has been designing, assembling and producing from 10 specialized units located in the south of Europe, which is also a guarantee of quality and security of supply for all our European customers.



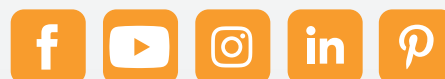
Repairability score

All our frames can be completely dismantled and repaired.



100% recyclable aluminium

All our frames, parts and profiles are made of aluminium and are fully removable and recyclable.



www.mitjavila.com