



PORT-COUL-PLEIN



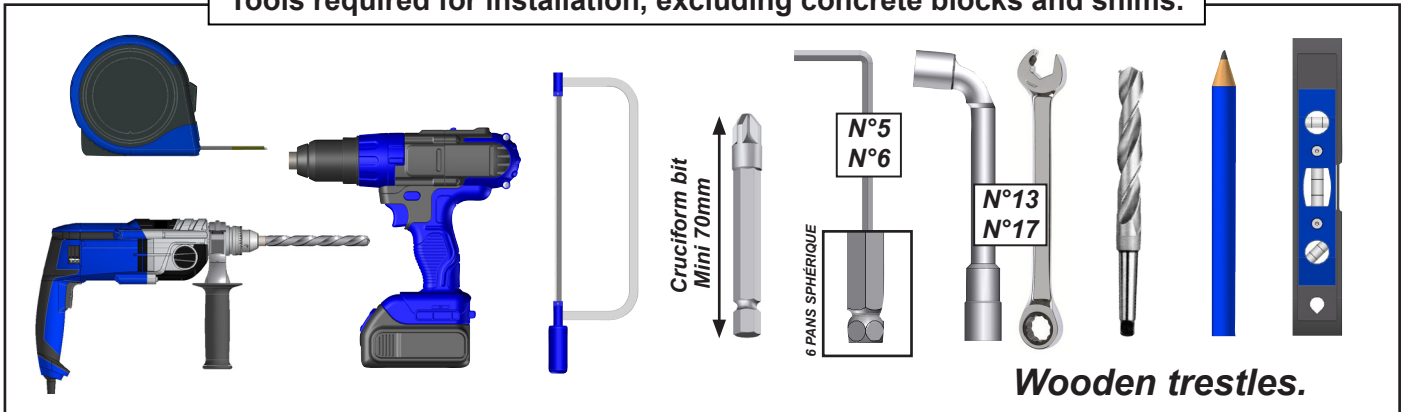
Installation instructions FULL SLIDING GATE



2 people Minimum
1 day

PREPARING FOR INSTALLATION

Tools required for installation, excluding concrete blocks and shims.



ATTENTION



ATTENTION! PLEASE READ THIS USER MANUAL BEFORE USING AND INSTALLING THE PRODUCT. KEEP THESE INSTRUCTIONS FOR FUTURE REFERENCE.

- The installation of a gate must be carried out with care due to its constraints and requires a certain level of skill:
 - Measuring and levelling the elements.
 - Drilling the wall and floor installing chemical sealants or suitable fixings.
 - Handling heavy loads.
 - Electrical connection.

If you have any doubts about the correct and safe installation of your gate, call in a professional.

- The gate must be installed according to the rules of the trade. A minimum of two people are required, with personal protective equipment (PPE) and suitable materials. In the event of a problem, please consult a person qualified in this product for assistance.
- Follow the safety instructions to prevent damage from incorrect use! Follow all warnings in the instructions.
- This product presents a risk of falling and serious personal injury. All the assembly steps must be followed to the letter. Incorrect fixing or incorrect installation could cause the gate to fall or break. It is important for personal safety to follow these instructions.
- It is strictly forbidden to hang yourself from the gate structure.
- It is strictly forbidden to climb onto the gate structure.
- It is the installer's responsibility to ensure that the gate is securely fastened.
- Do not install the gate in strong winds.
- The manufacturer accepts no responsibility for damage caused to the gate or its contents by natural disasters or special events for all gates installed without complying with the recommendations in the installation instructions.

Non-contractual drawings



BEFORE BEGINNING INSTALLATION, check the contents of the parcel(s) you have received. If anything is missing, please contact our technical department as soon as possible (do not install the gate if any parts are defective).

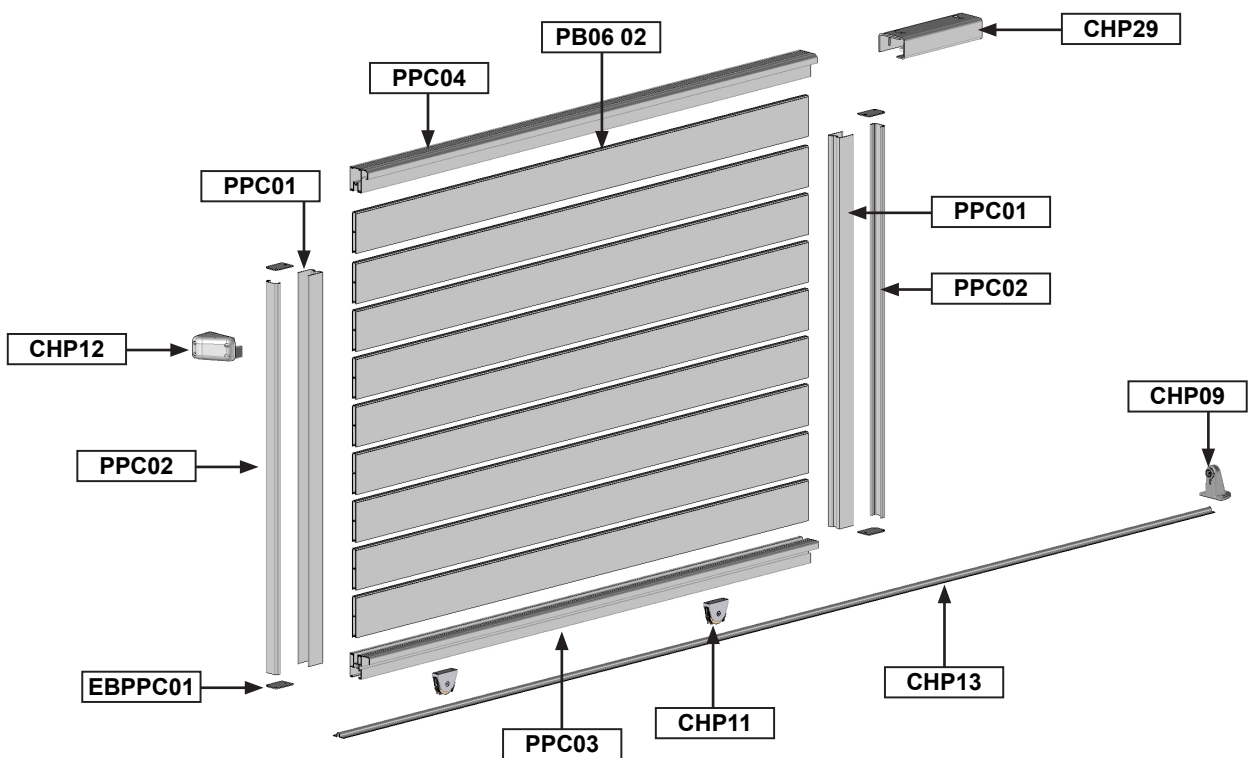
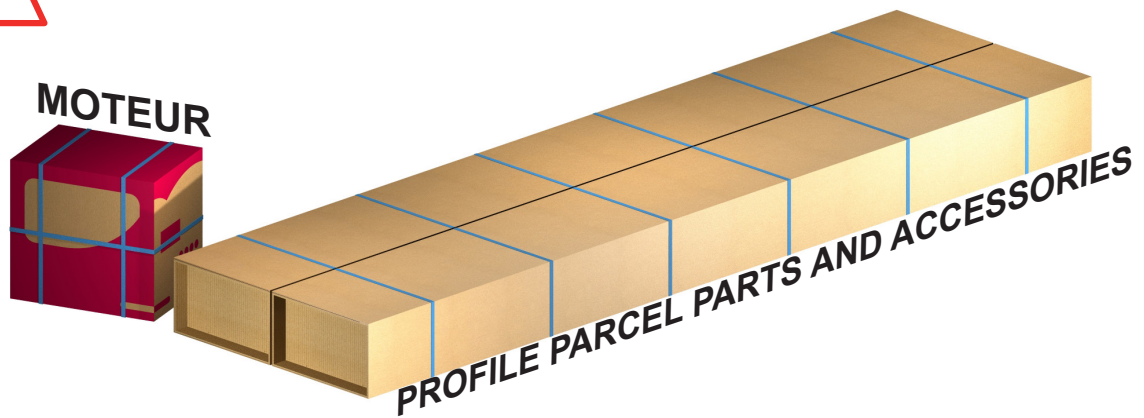
Check that your wall and floor are flat. In the case of a hollow or curved wall or floor, make a solid wedge to ensure correct alignment of the elements to be installed.
Must be installed on a concrete slab.

Recommendation : We recommend greasing stainless steel screws before assembly to prevent seizure due to heating of the fasteners when screwing in too quickly. We also recommend that you tighten the screws gradually, using a moderate torque.

THE FULL SLIDING GATE

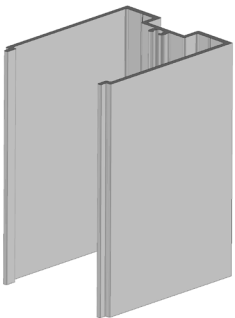


Unpack incoming parcels. Beware of scratches, do not use a CUTTER.

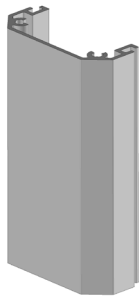


Profiles :

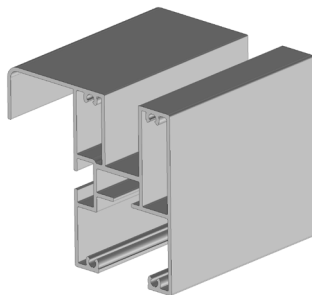
PPC01: Nb 2
Profile Upright



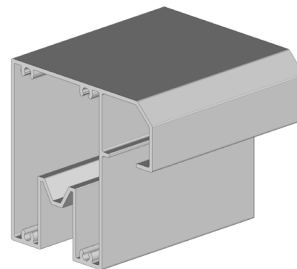
PPC02 : Nb 2
Profile Finish Upright



PPC03 : Nb 1
Low Guide Profile



PPC04 : Nb 1
High Guide Profile

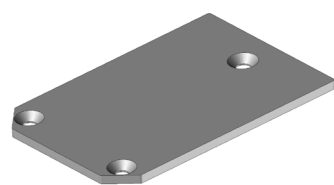


PB06 02 :
Filling profile

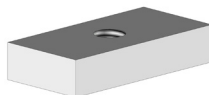


Height 1993mm = Nb 12
Height 1843mm = Nb 11
Height 1692mm = Nb 10
Height 1542mm = Nb 9

Parts and fasteners :



EBPPC 01 :
Nb 4



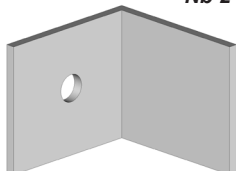
PLE06 :
Nb CREM1MP x 6 + 4



DIN125M6 :
Nb CREM1MP x 6



DIN912M6x18 :
Nb CREM1MP x 6



EQ50x50 03 :
Nb 2



DIN7504K-ST4.8x16
: Nb 2



DIN912M6x30 :
Nb 4



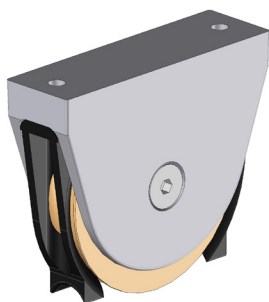
DIN7982ST4.2x50 :
Nb (CL0702 + PB0602) x 2



DIN7981ST4.2x50 :
Nb (PPC03 + PPC04 + PPC06) x 4

Accessories :

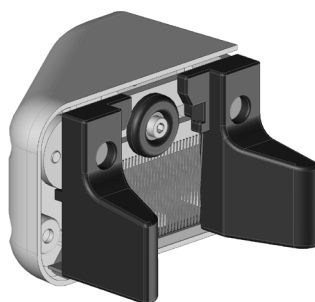
CHP11 : Nb 2



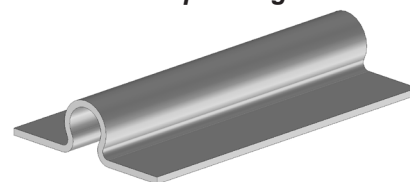
CHP09 : Nb 1



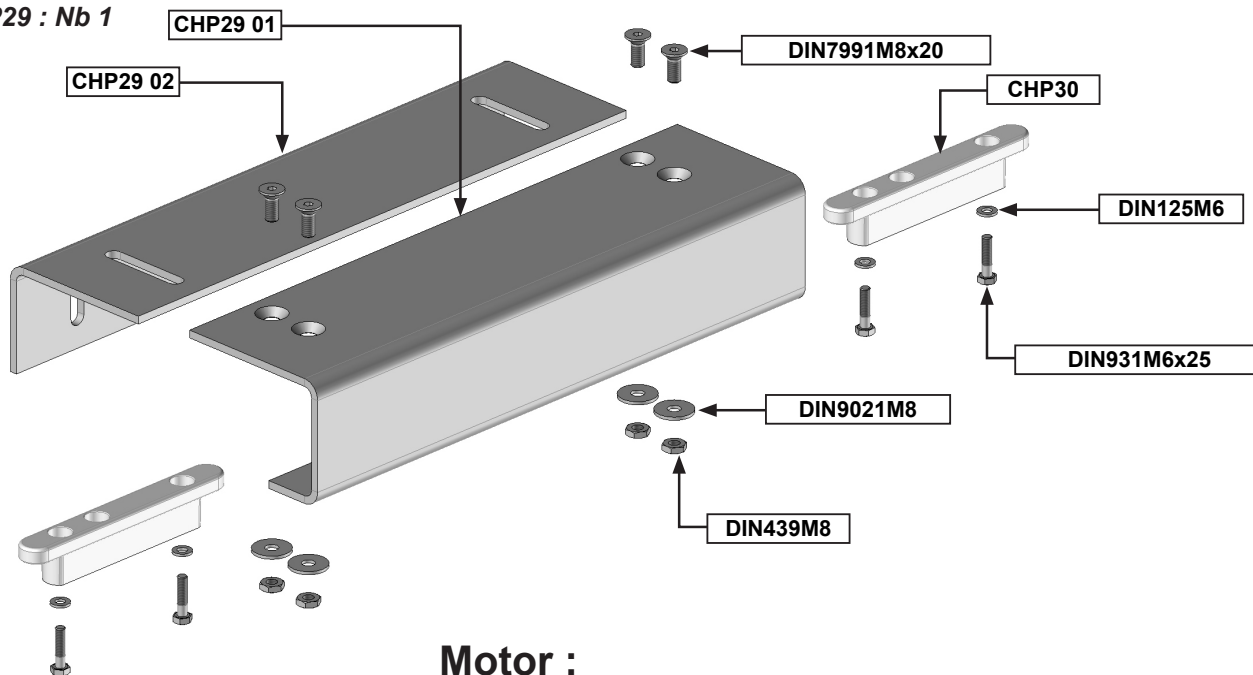
CHP12 : Nb 1



CHP13 : Nb Depending on width

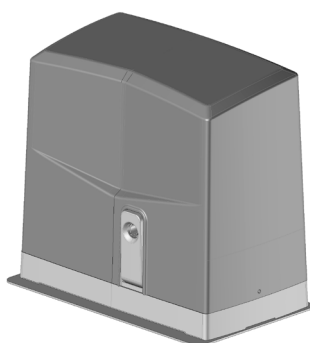


CHP29 : Nb 1

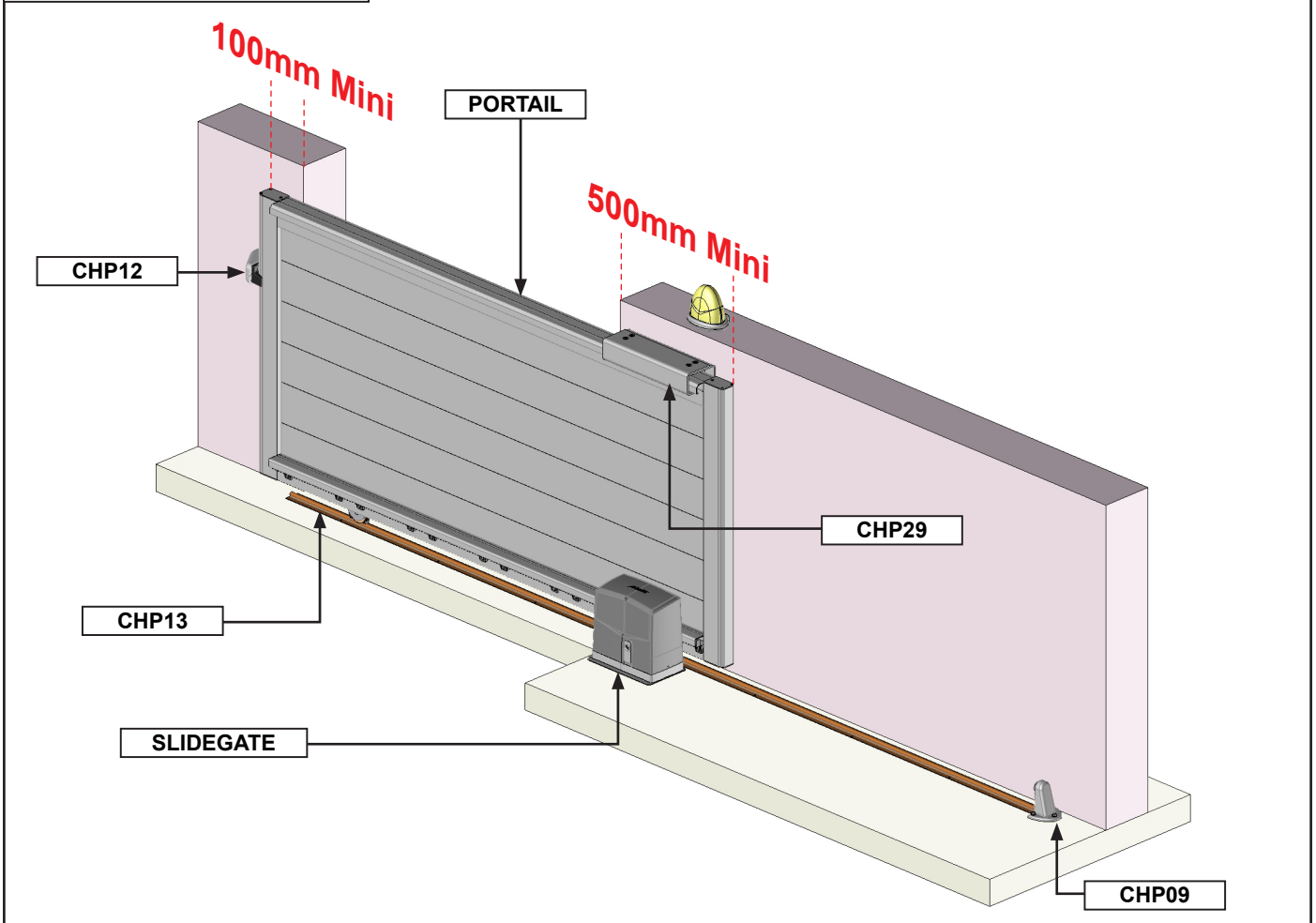


Motor :

KIT SLIDEGATE : Nb 1



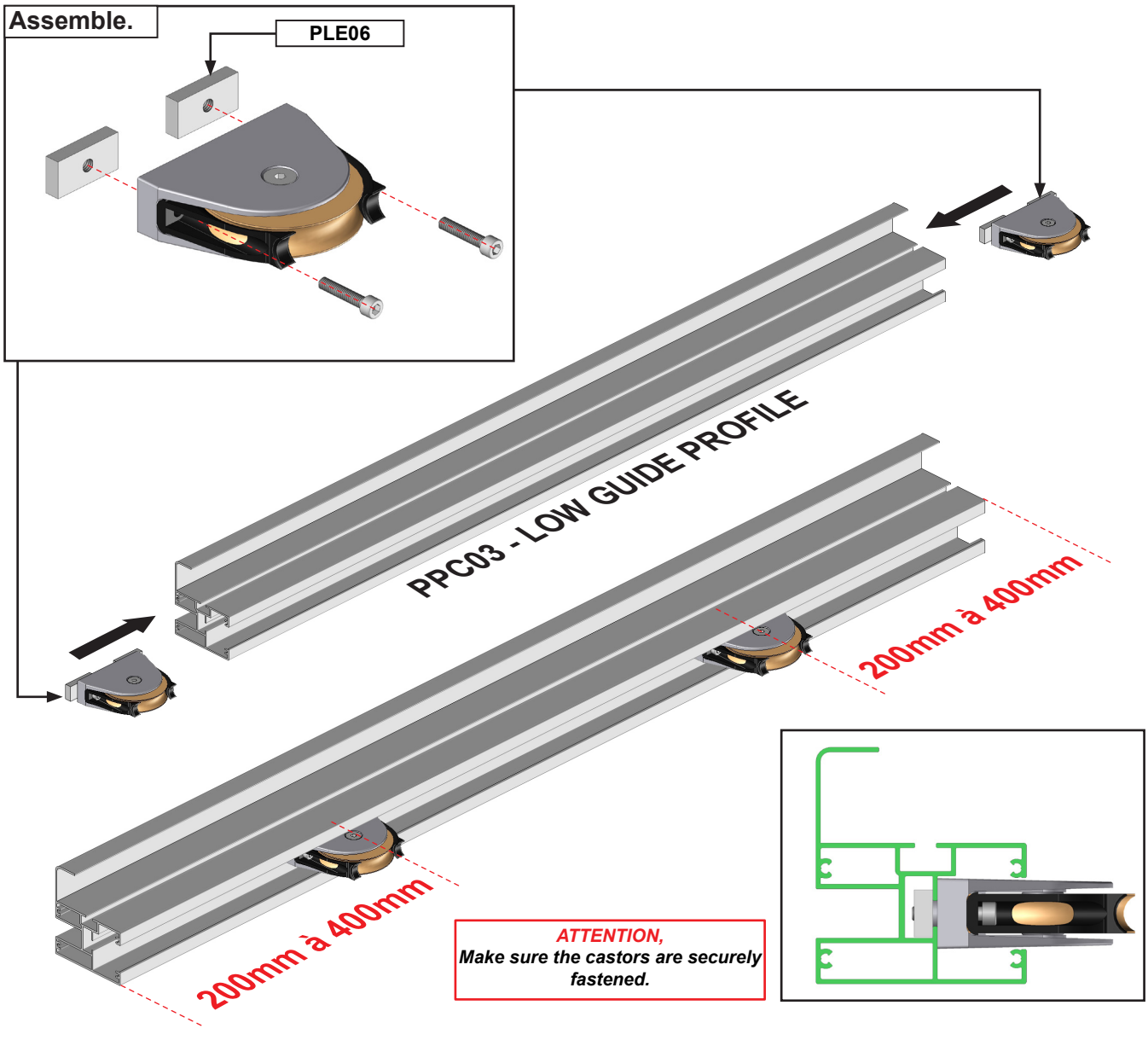
Setting the scene.



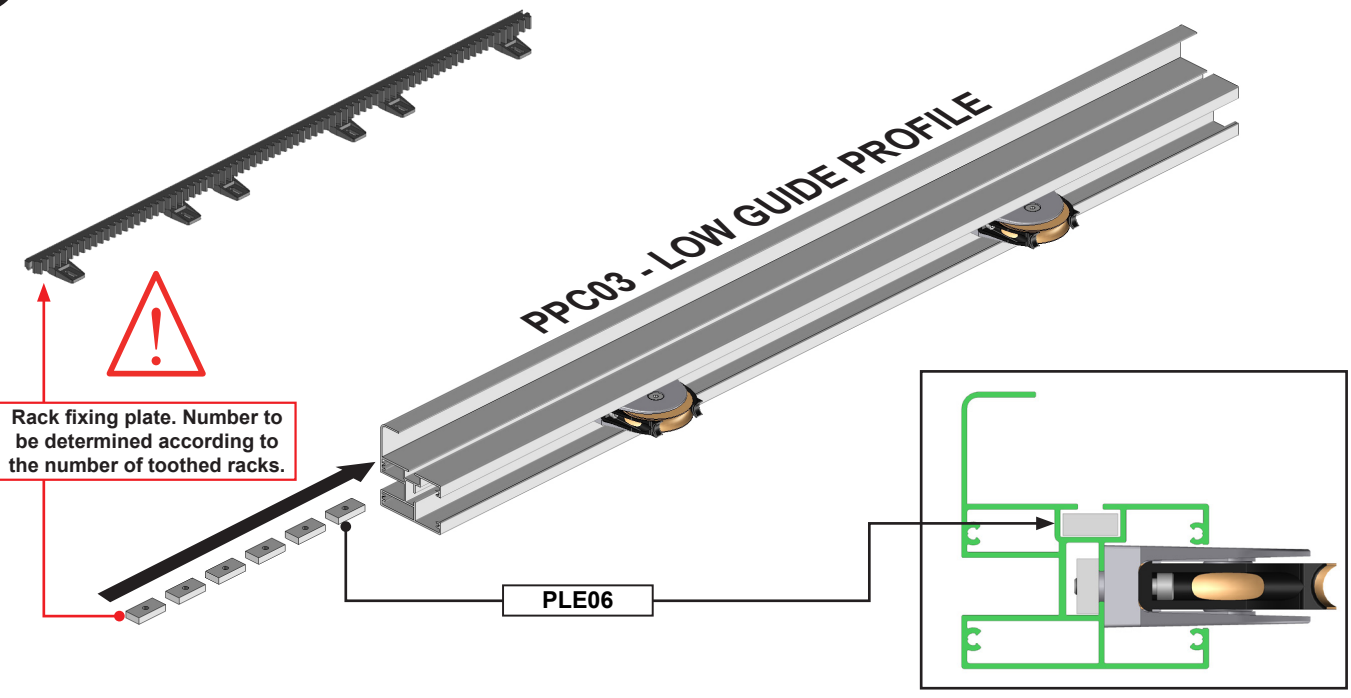
Contents :

- 1 - Preparing the bottom guide profile Page 5
- 2 - Pre-assembling the rack plates Page 5
- 3 - Assembling the bottom frame Page 6
- 4 - Filler assembly Page 7
- 5 - Assembling the top guide profile PPC04 Page 8
- 6 - Slide on the upright finishing profiles PPC02 Page 8
- 7 - Assembling the plugs Page 9
- 8 - Assemble the rack Page 9
- 9 - Fitting the rail Page 11
- 10 - Positioning the gate on the track and levelling Page 12
- 11 - Assembling the guide piece Page 12
- 12 - Fitting the guide piece Page 13
- 13 - Fitting the guide part continued Page 14 - Fitting the motor.
- 14 - Fitting the motor Page 15
- 15 - Mounting the motor Page 16
- 16 - Checking the movement Page 17
- 17 - Fitting the opening stop Page 17
- 18 - Fitting the closing strike Page 18
- 19 - Fitting the motor mechanical stops Page 19
- 20 - Preparing the motor Page 20
- 21 - Connection and programming Page 20

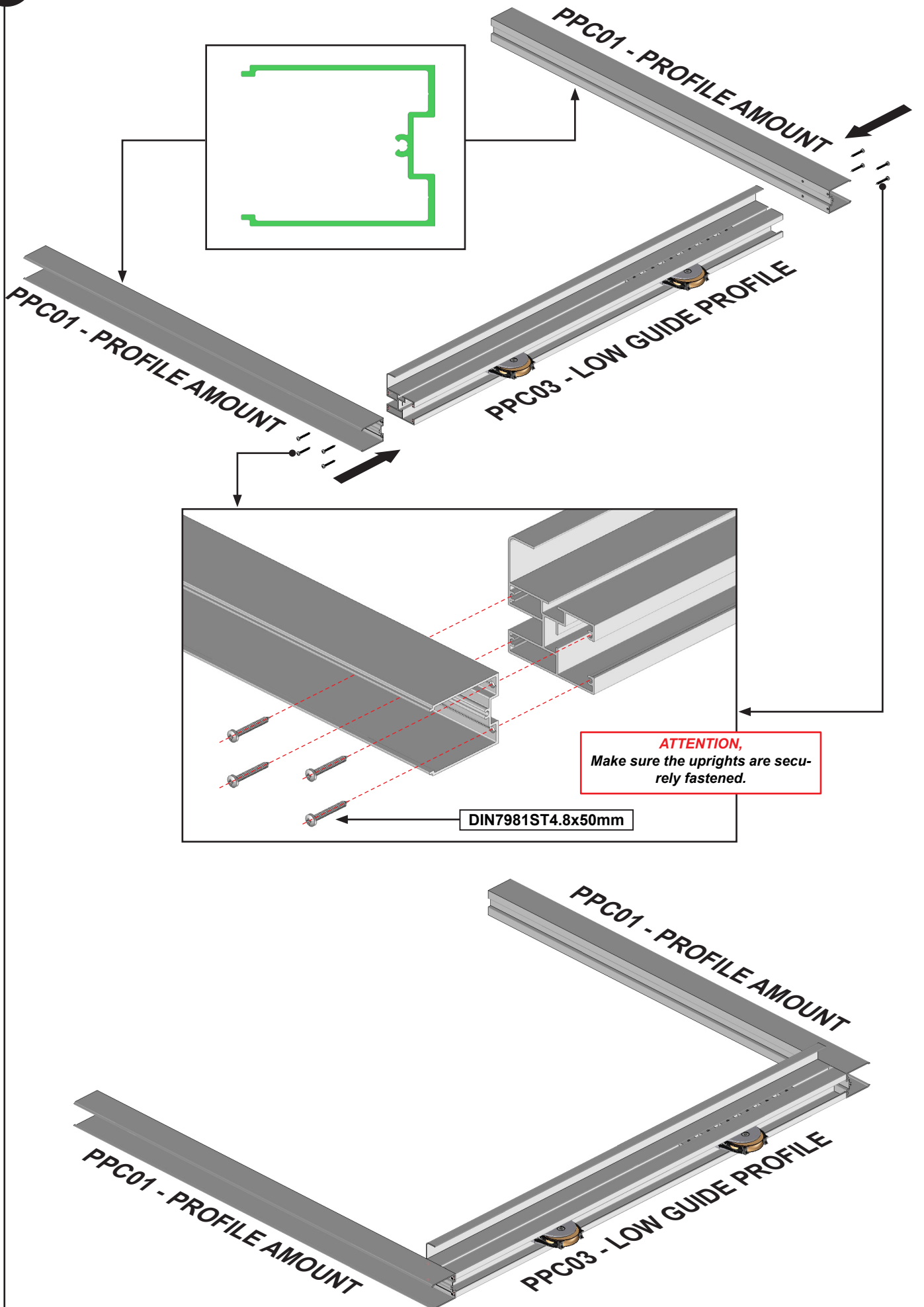
1 Preparation of the low guide profile PPC03.



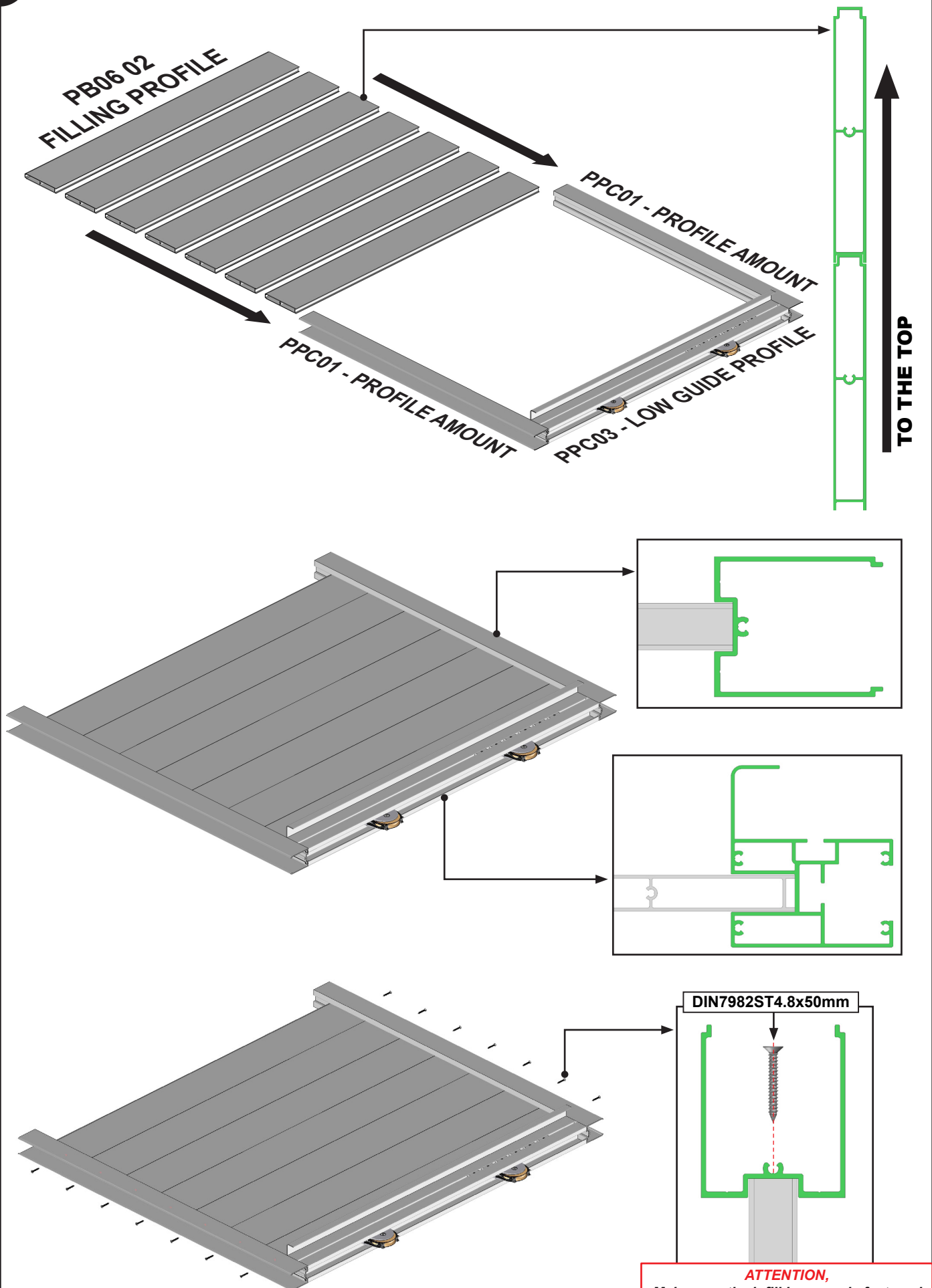
2 Pre-assemble the rack plates.



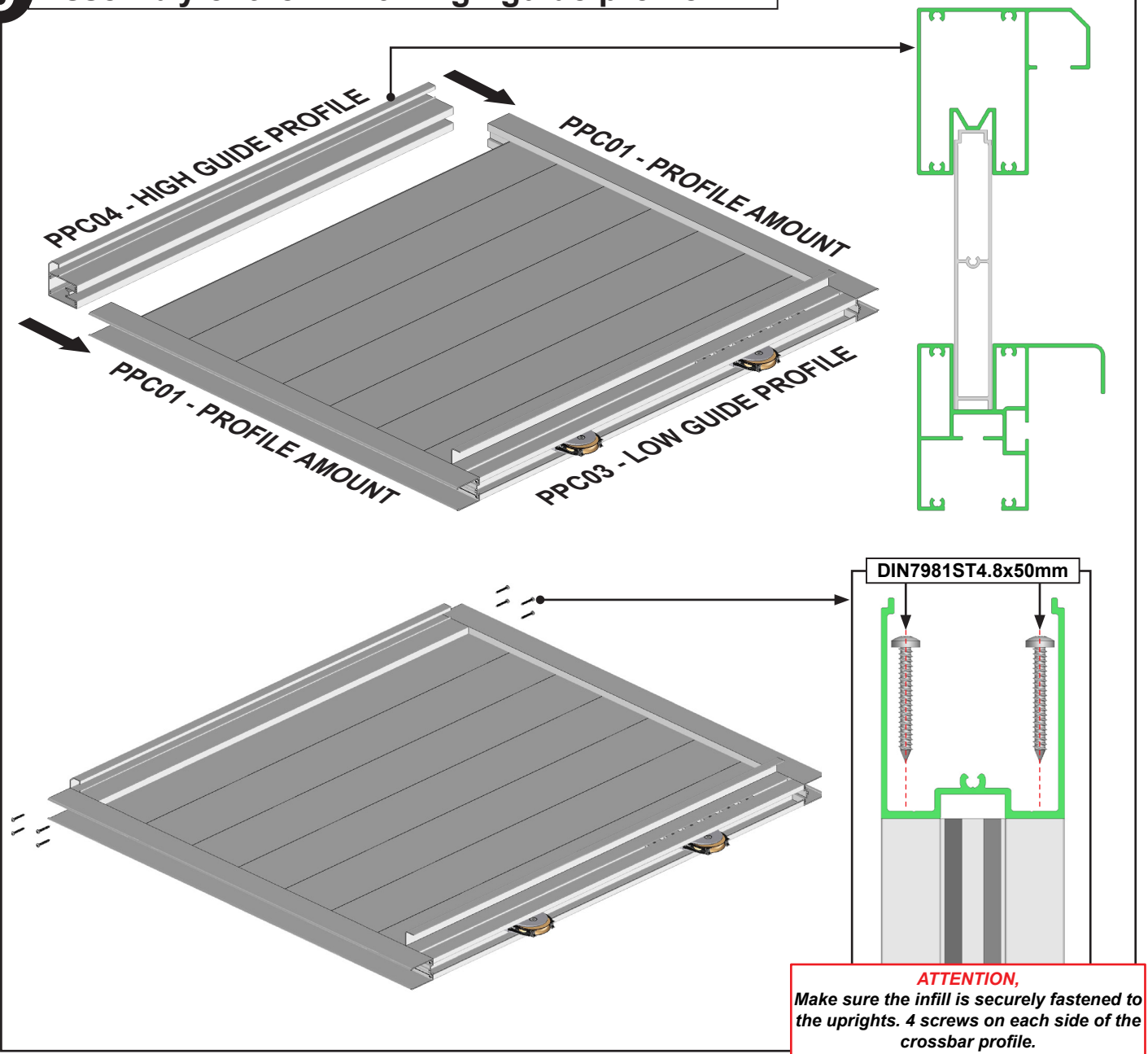
3 Assembling the bottom frame.



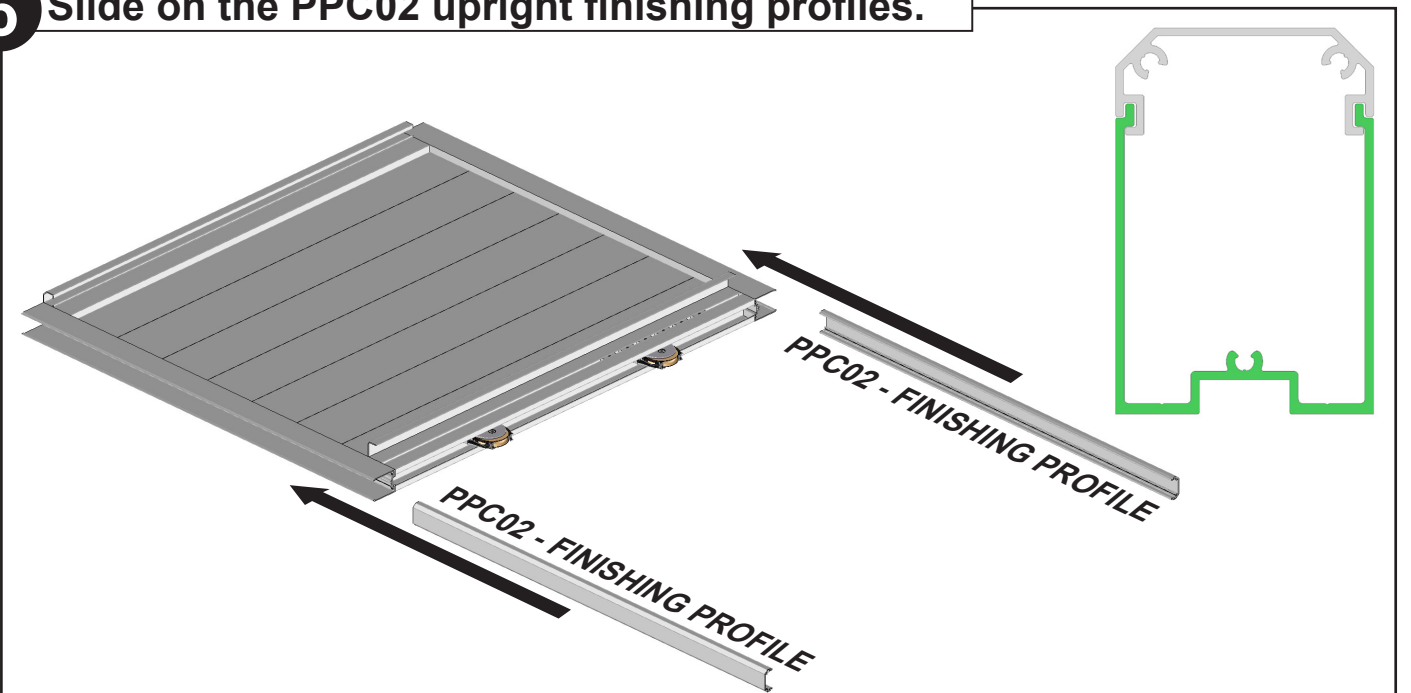
4 Filler assembly.



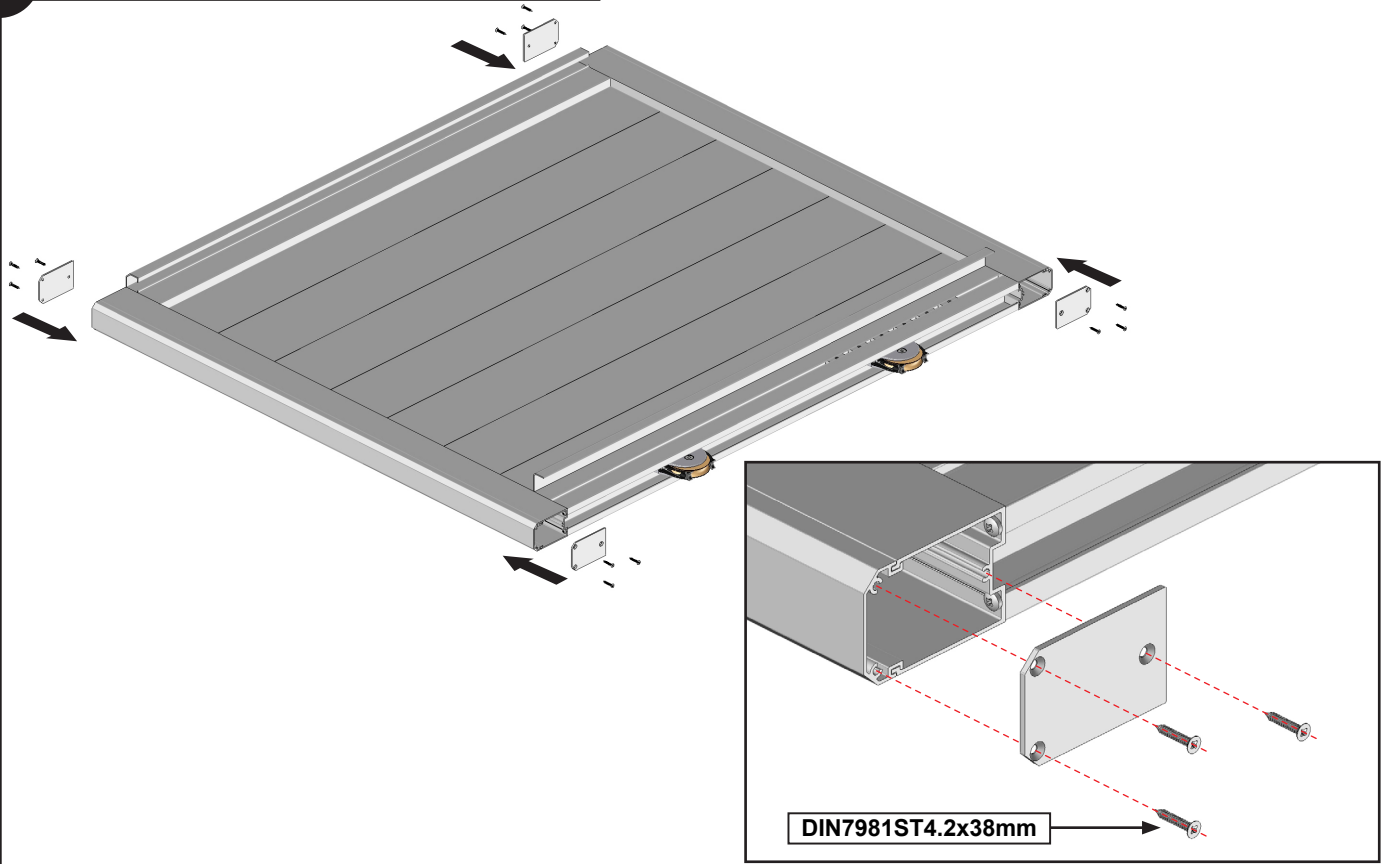
5 Assembly of the PPC04 high guide profile.



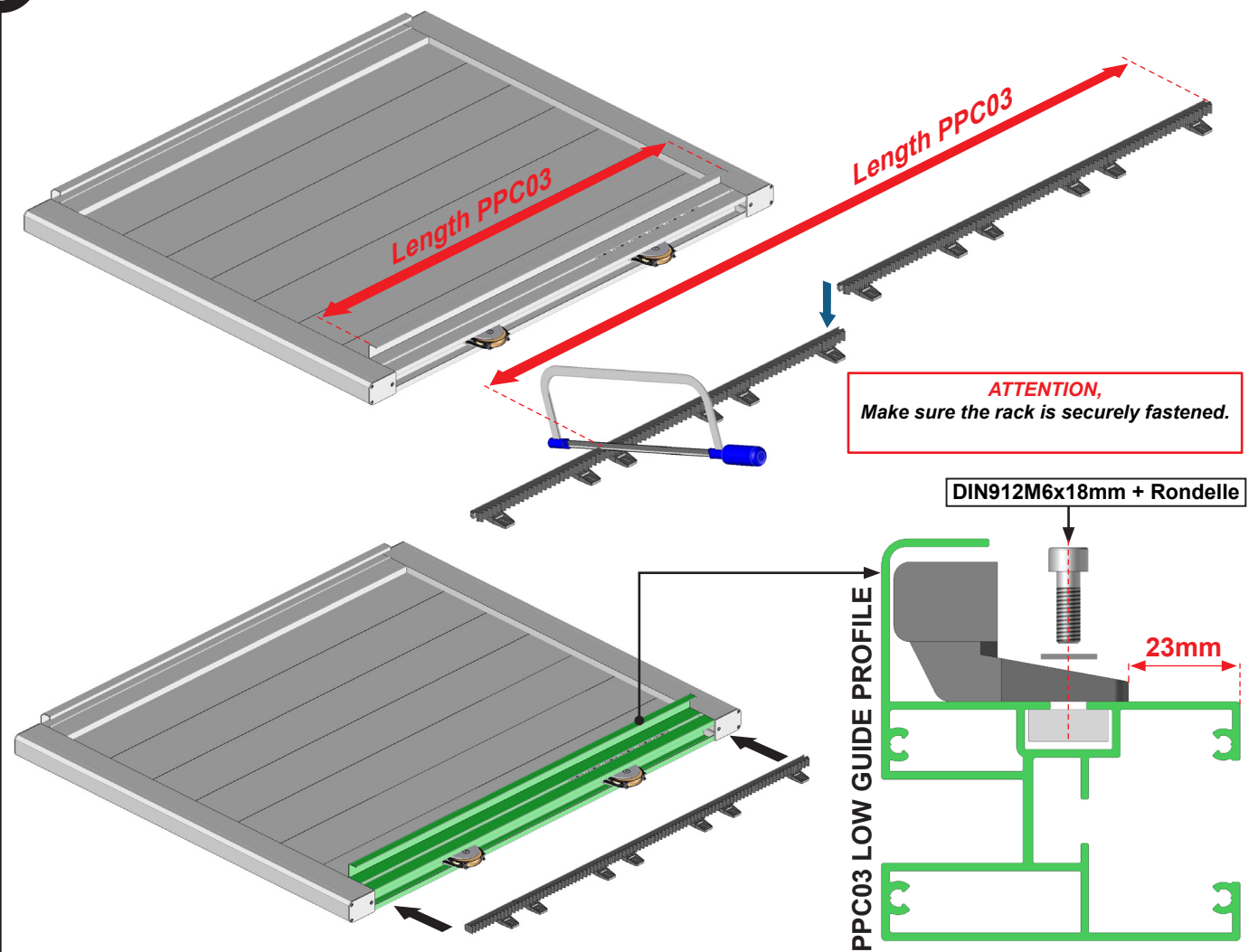
6 Slide on the PPC02 upright finishing profiles.



7 Assembling the plugs.

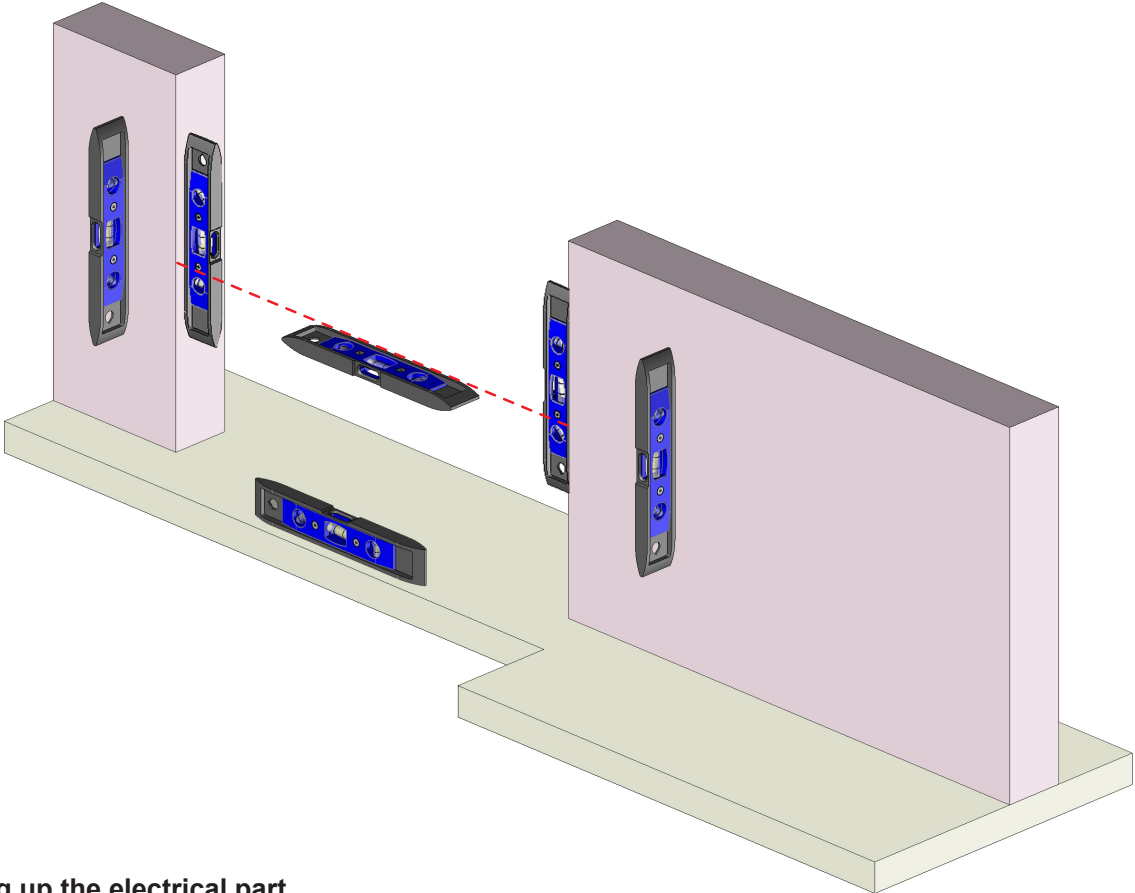


8 Assembling the rack.

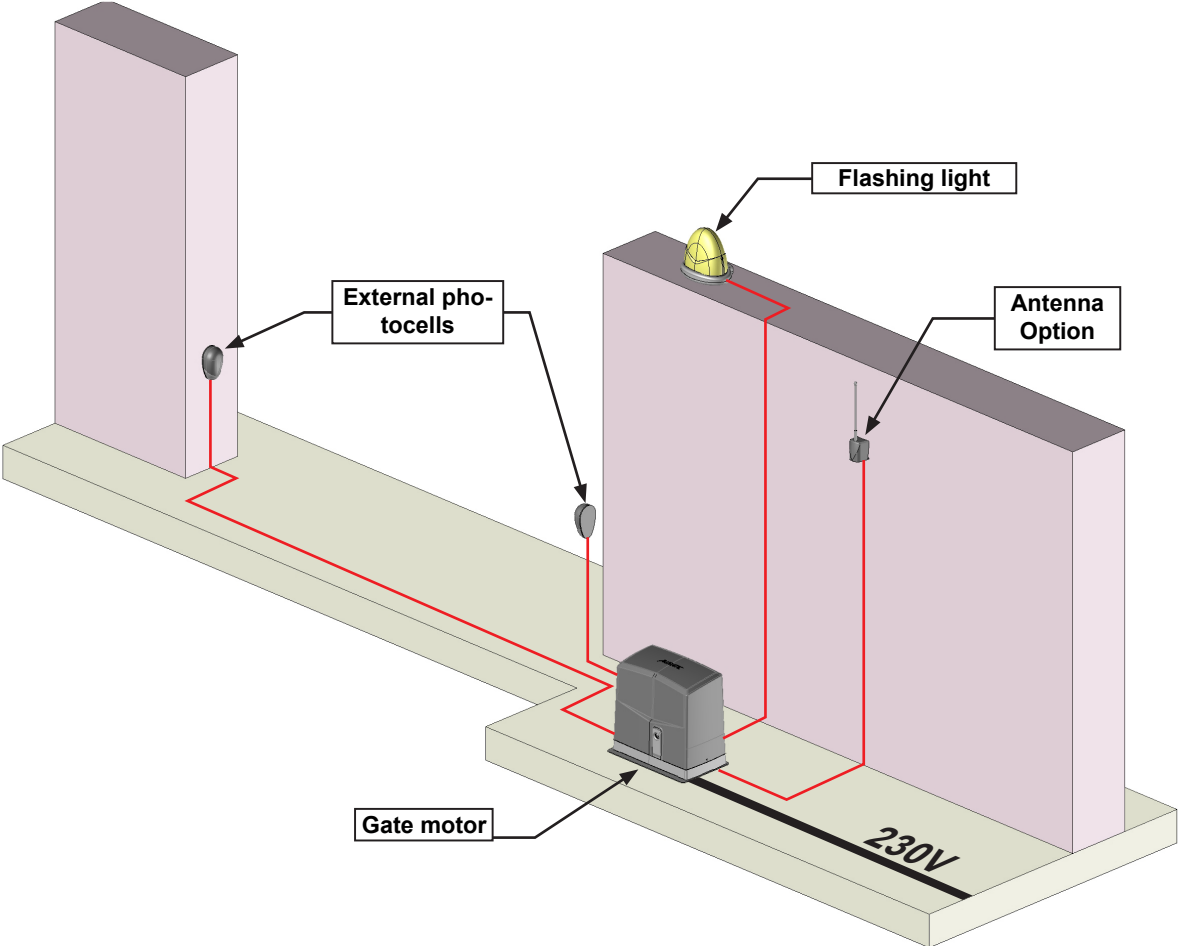


FITTING THE GATE

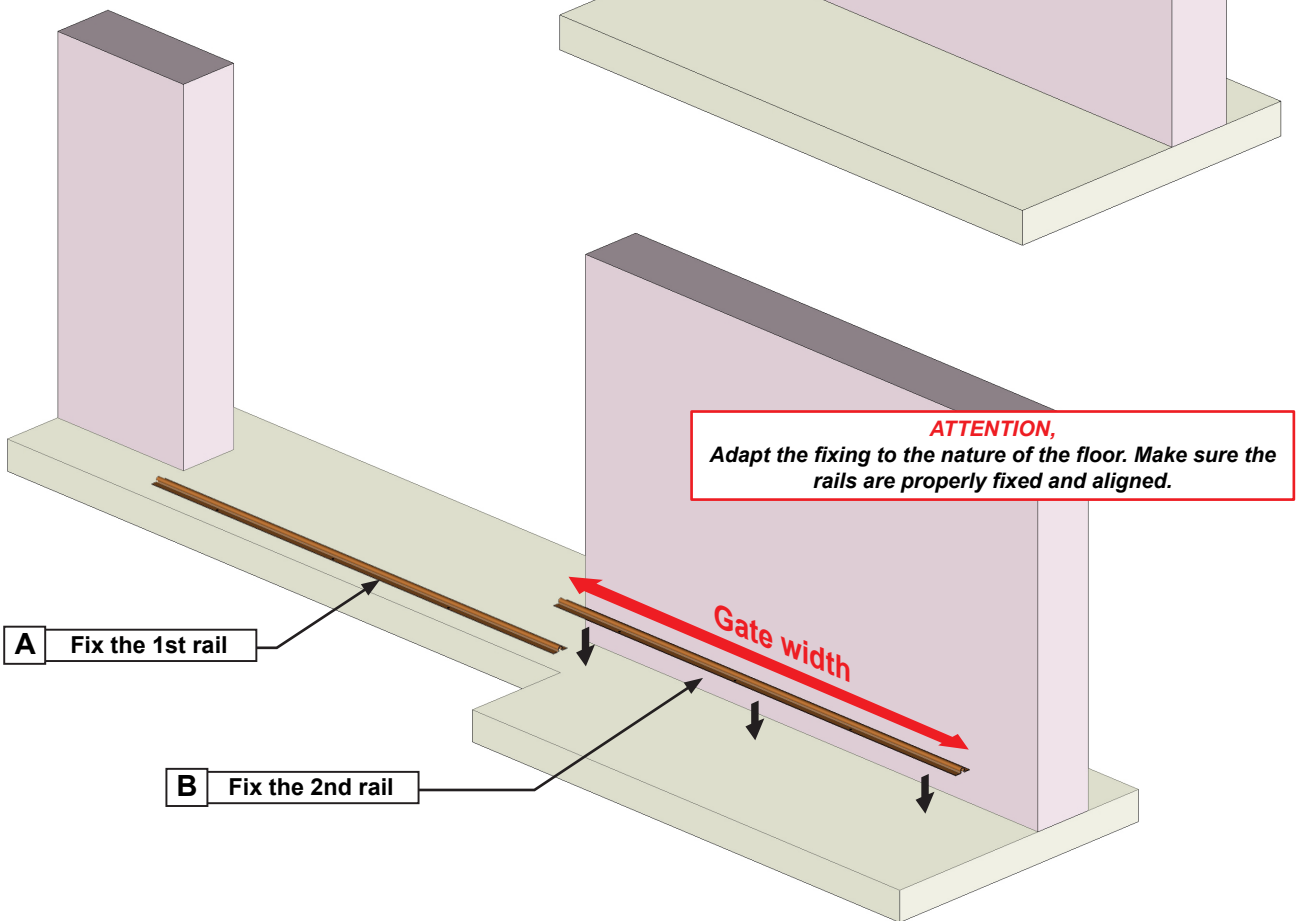
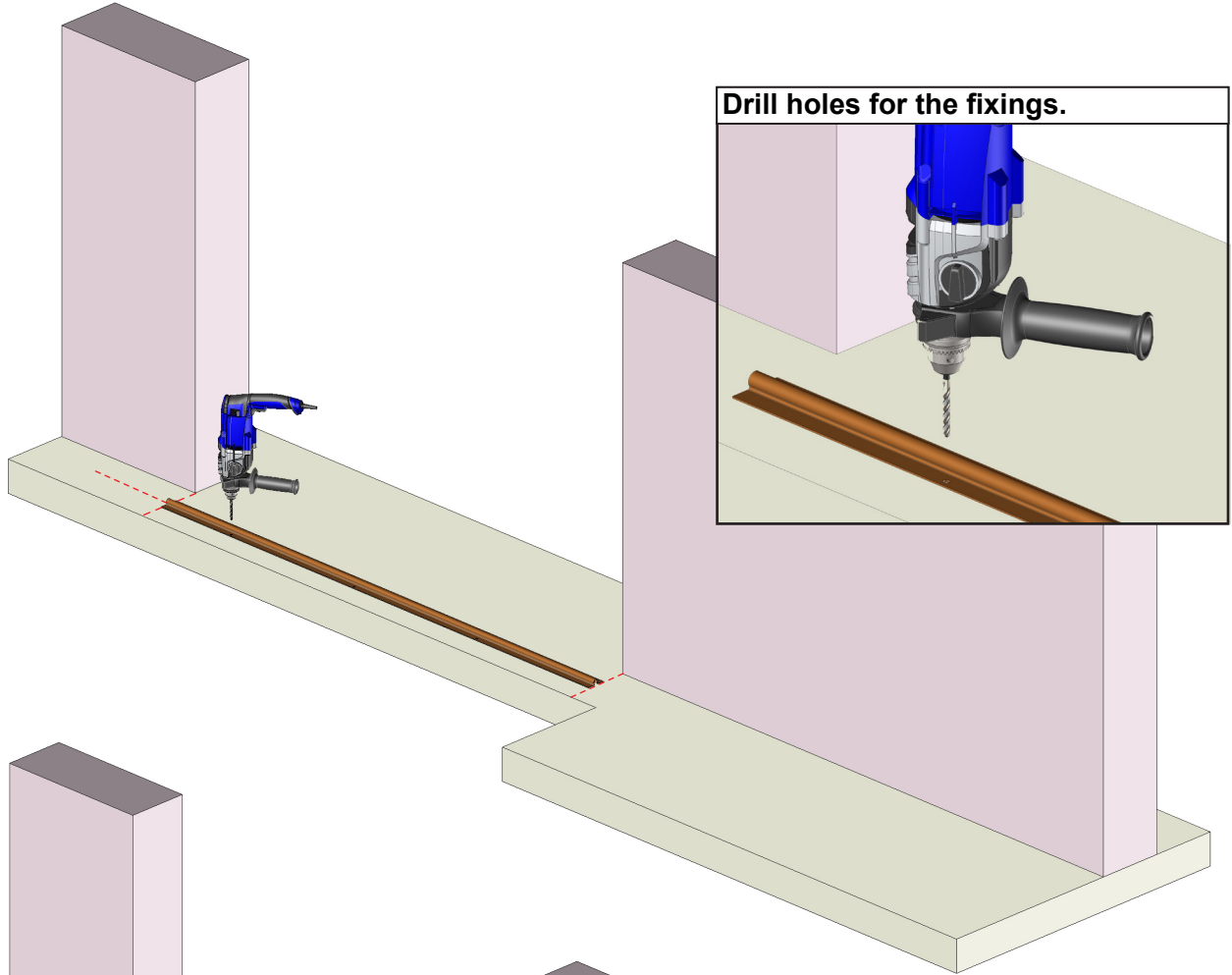
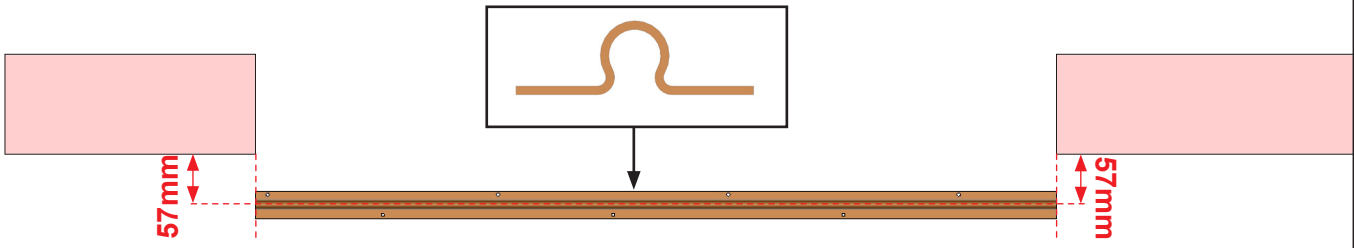
Check that the walls and floor are level and flat. In the event of incorrect levels or unevenness, carry out the necessary operations to readjust the whole.



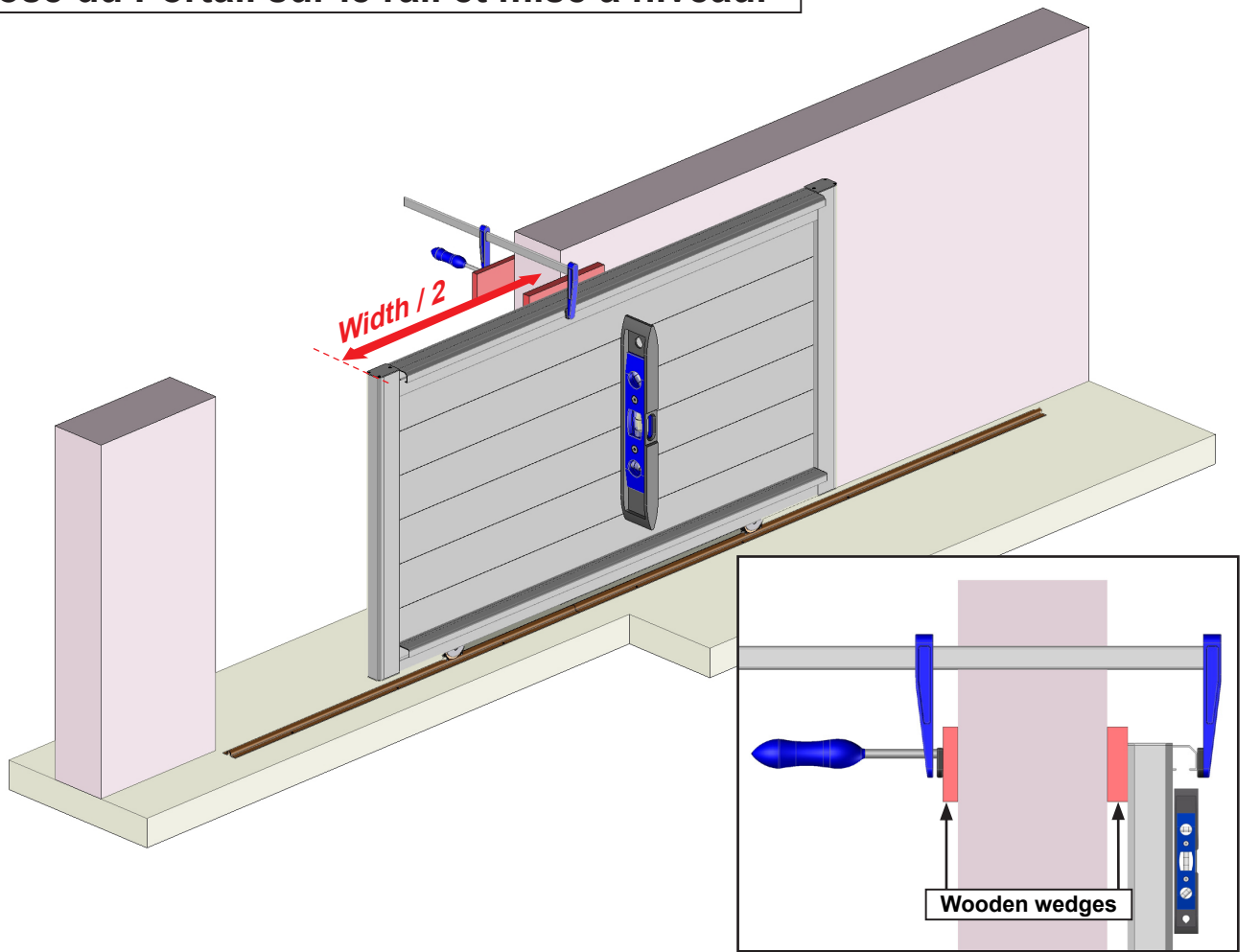
Setting up the electrical part.



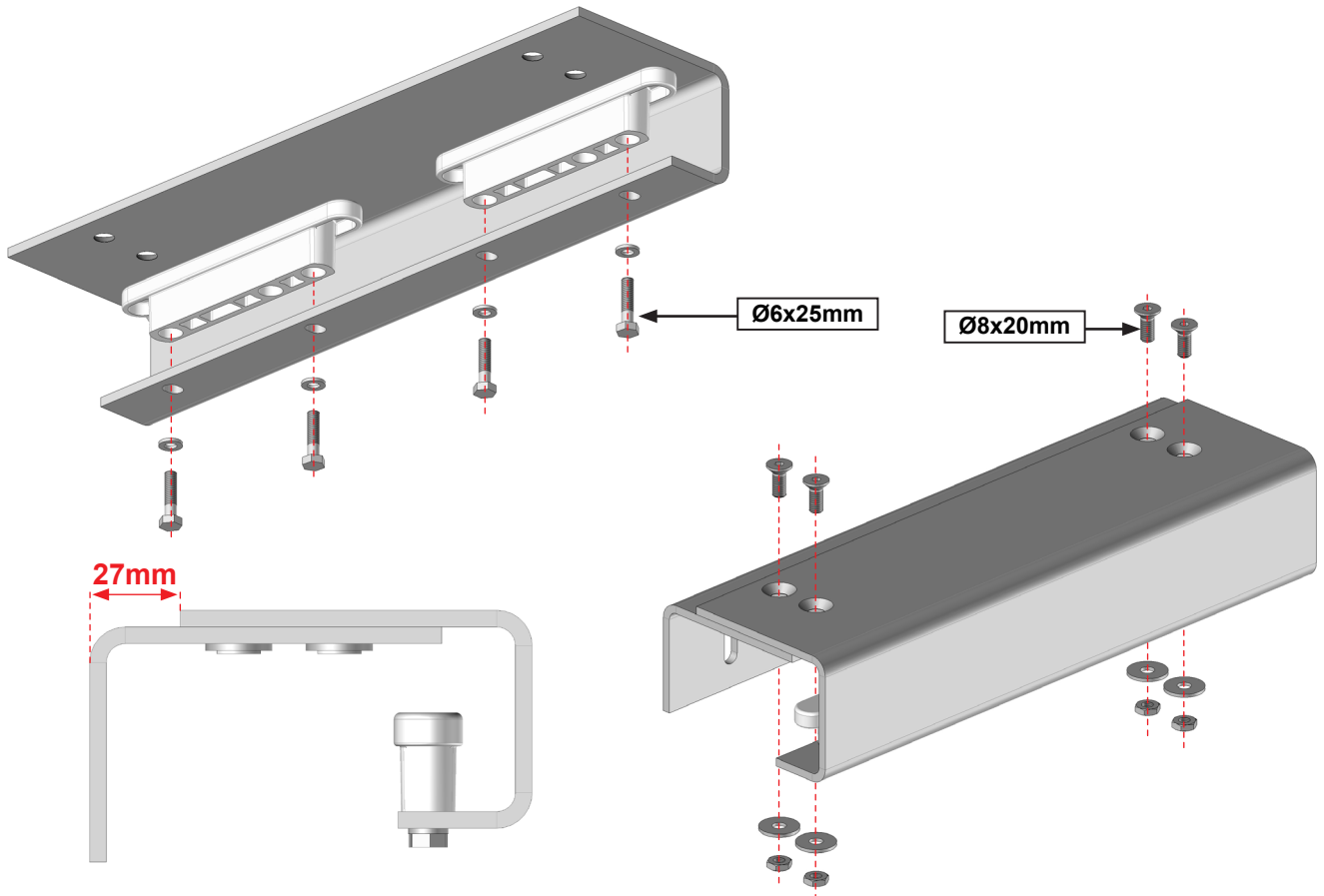
9 Fitting the rail.



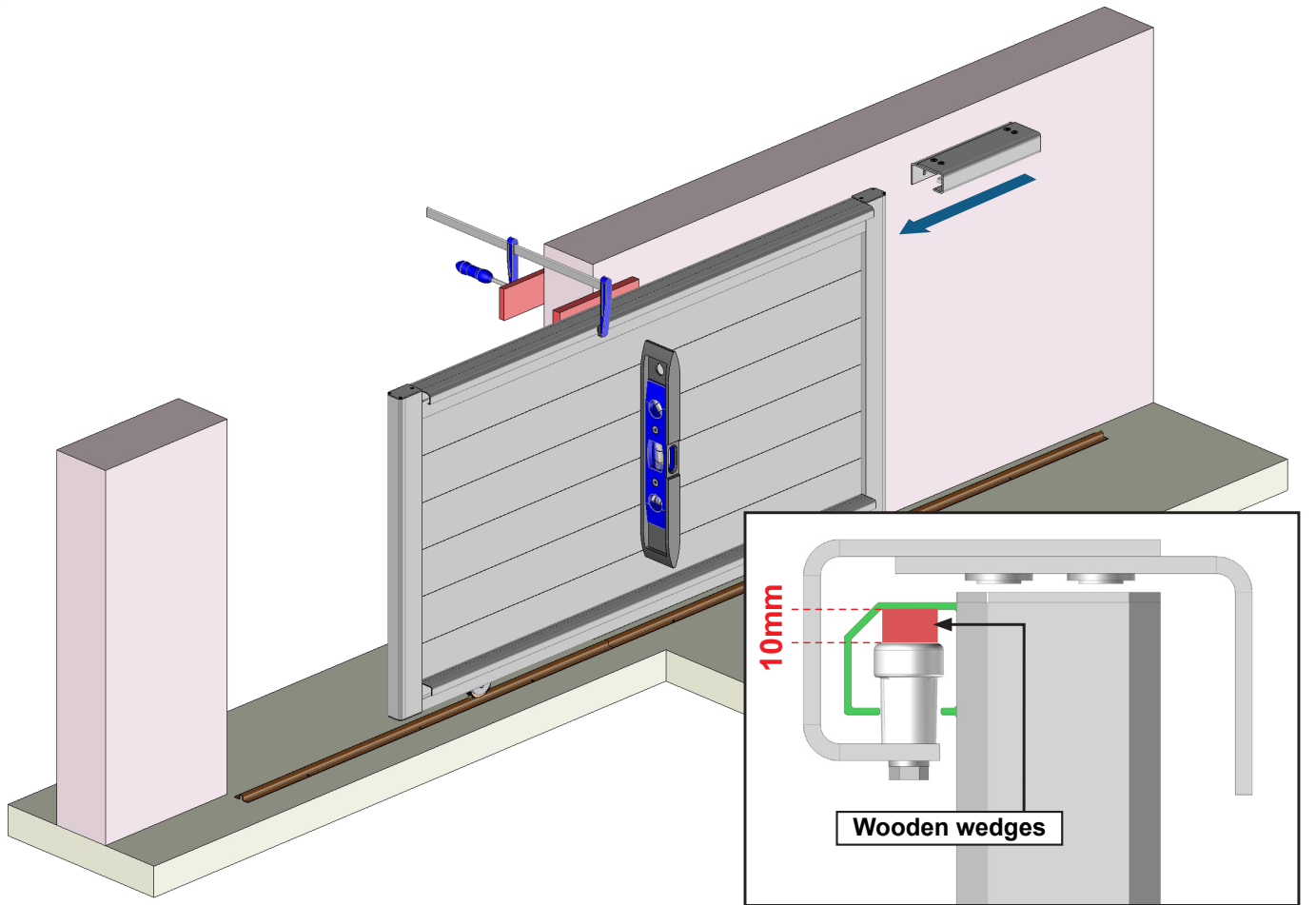
10 Pose du Portail sur le rail et mise à niveau.



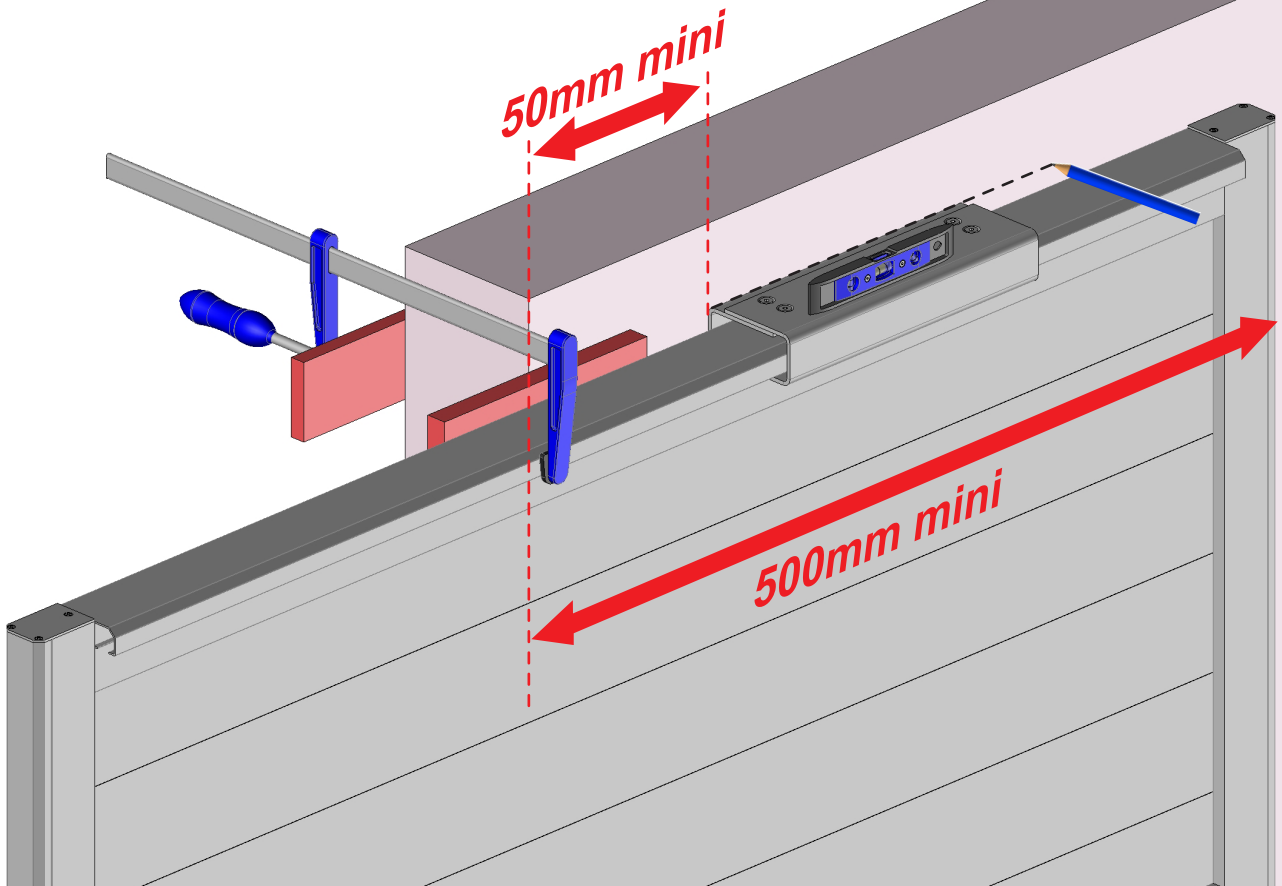
11 Guide assembly.



12 Fitting the guide piece.



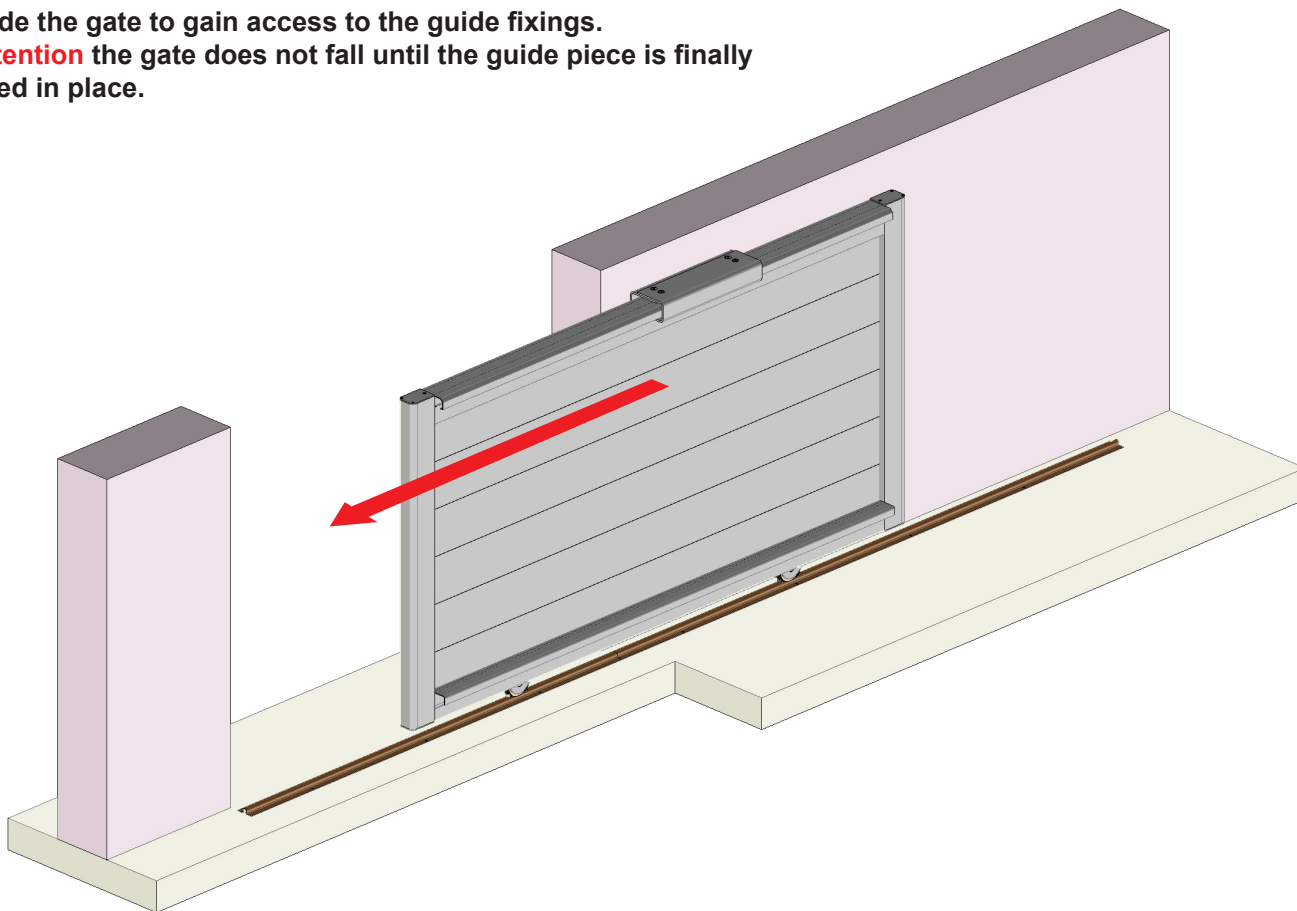
ATTENTION,
When the gate is in the closed position on the guide side, it must overlap the wall by at least 500 mm.



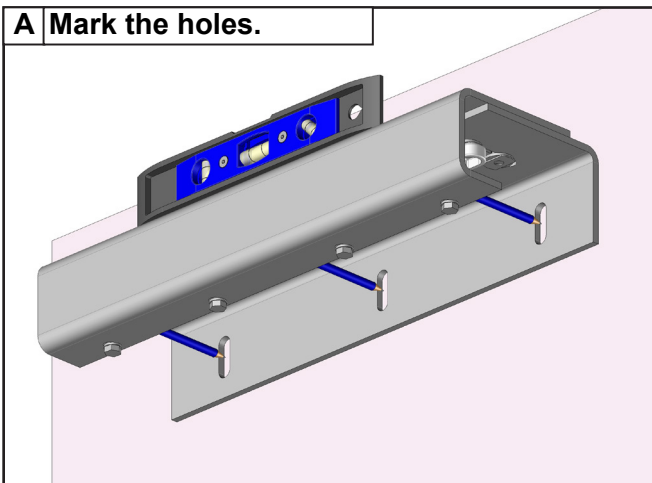
13 Fitting the guide piece continued.

Slide the gate to gain access to the guide fixings.

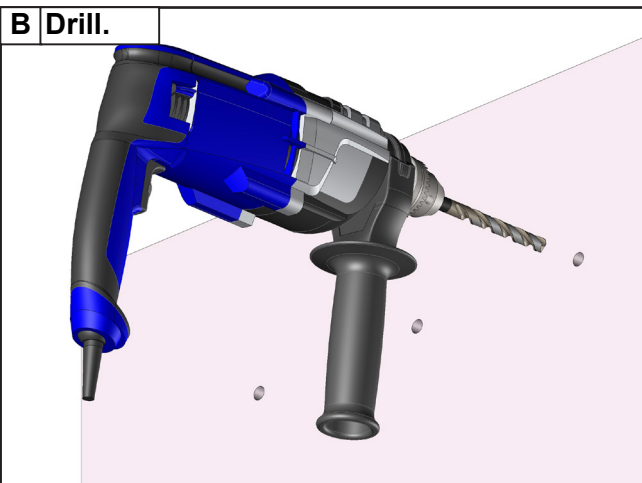
Attention the gate does not fall until the guide piece is finally fixed in place.



A Mark the holes.



B Drill.

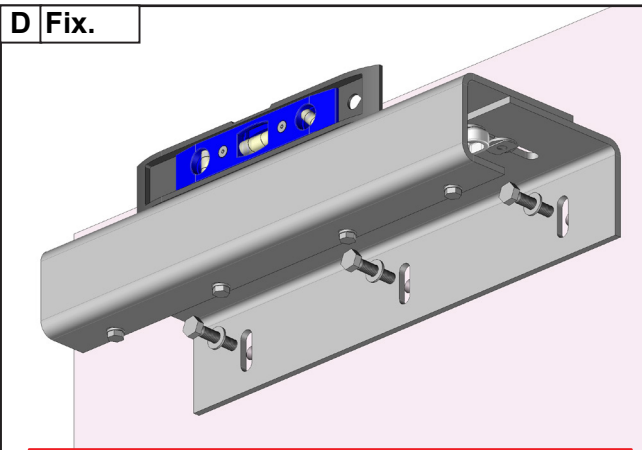


C



Adapt the fixing to the type of wall. Ø8mm fixing kit not supplied. For fixings using a chemical sealant, refer to the instructions supplied with the sealant.

D Fix.

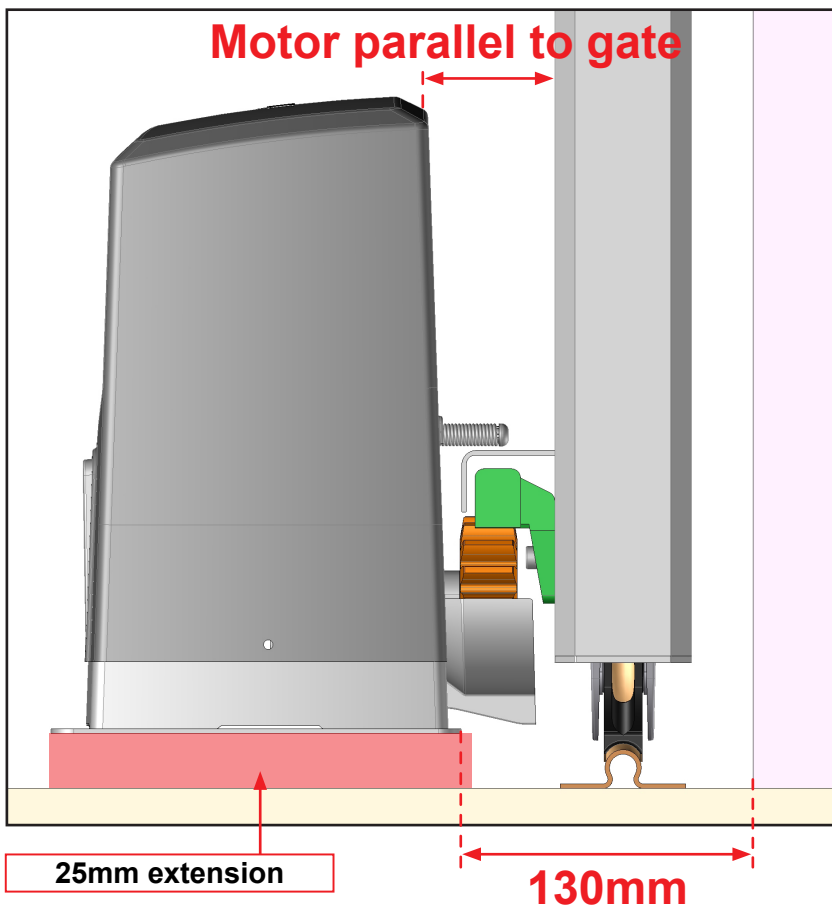
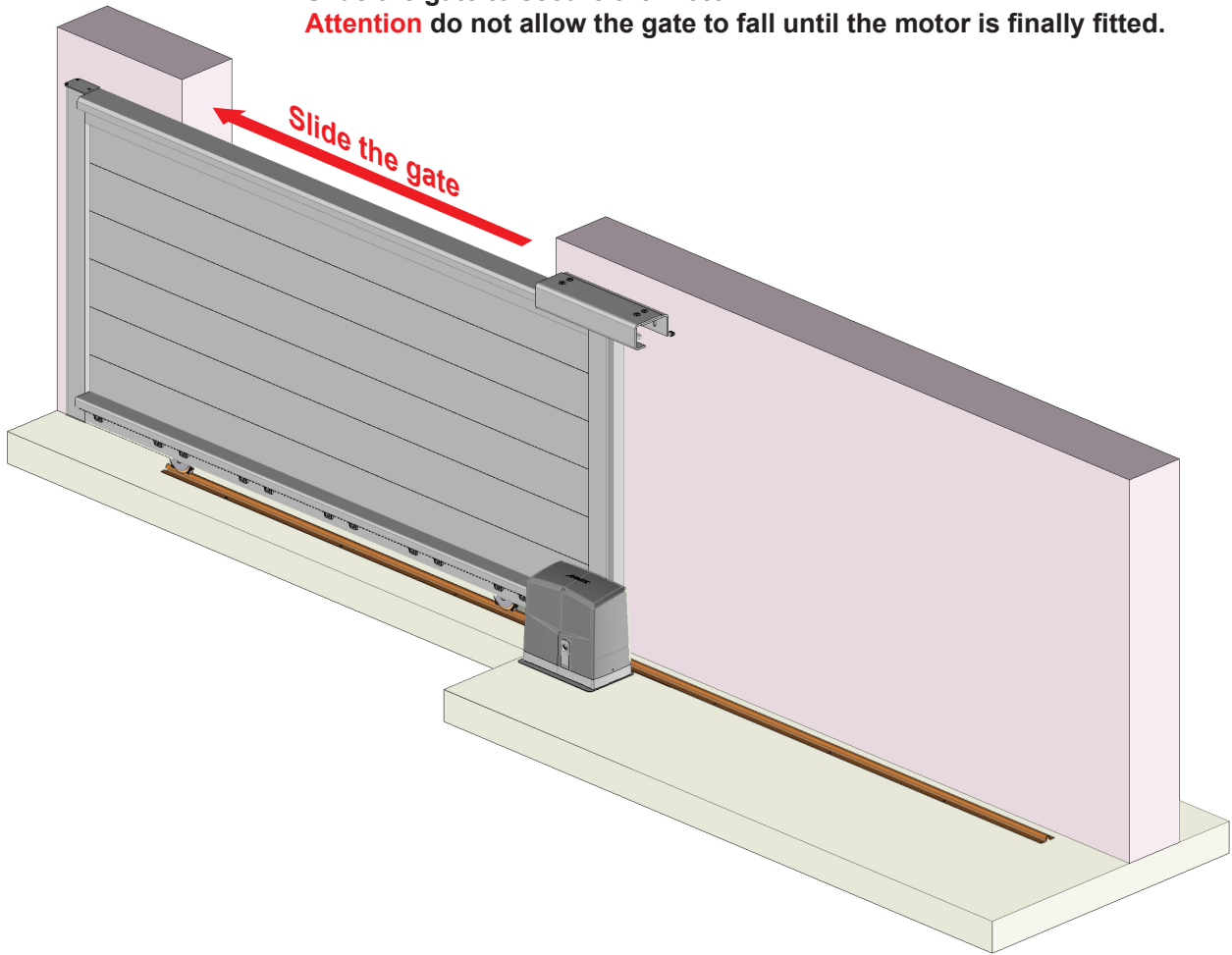


ATTENTION,
Make sure the guide is securely fastened. Risk of falling

14 Fitting the motor.

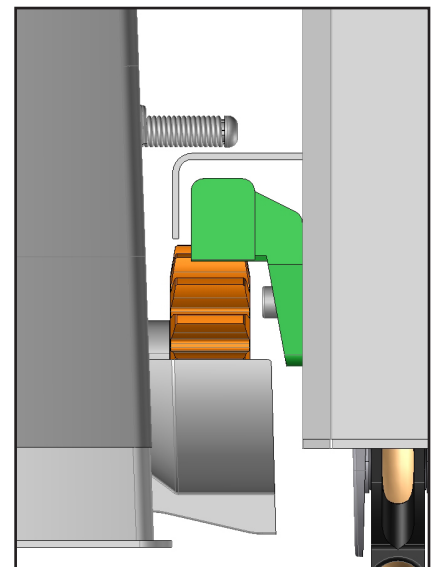
Slide the gate to secure the motor.

Attention do not allow the gate to fall until the motor is finally fitted.



Motor parallel to gate

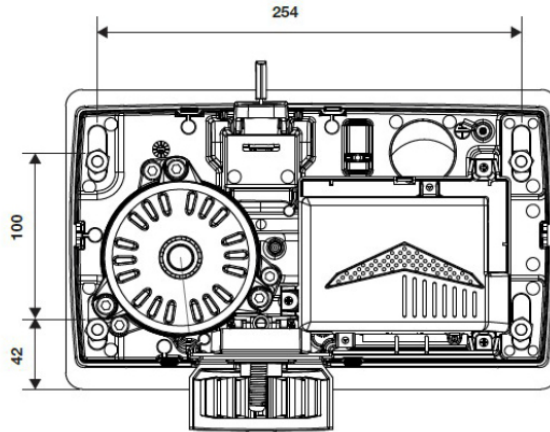
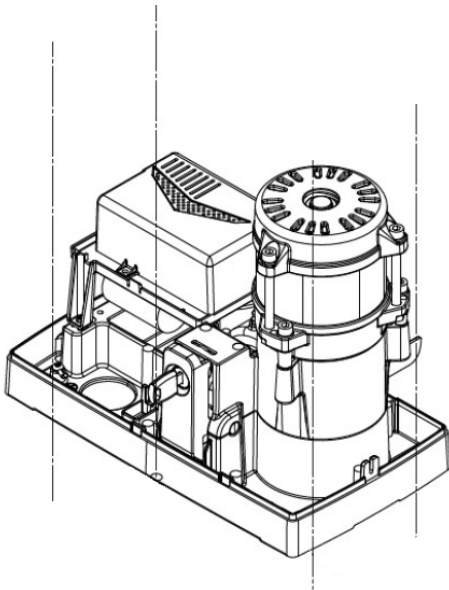
BEWARE OF COLLISIONS
Make sure that the motor and its end stop do not collide with any part of the gate.



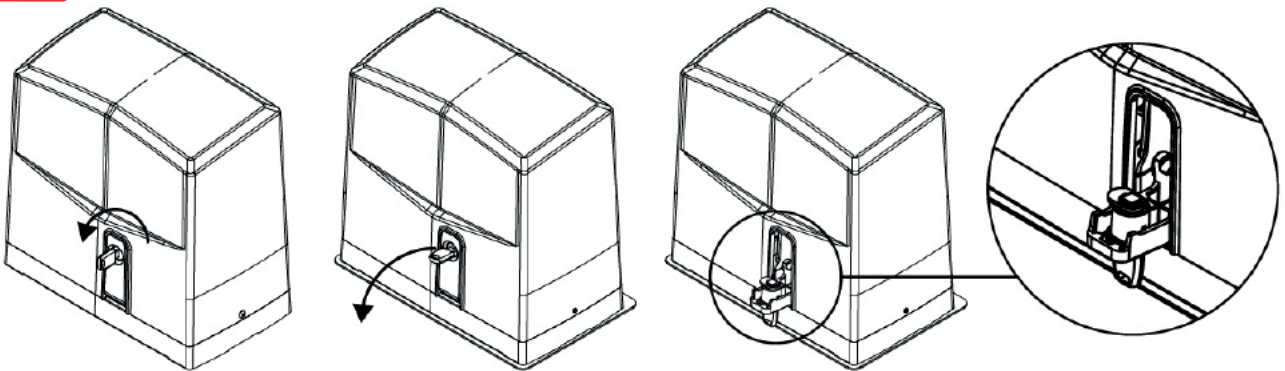
15 Motor mounting.



Adapt the fixing to the nature of the floor. Fixing kit not supplied. For fixing using a chemical sealant, refer to the instructions supplied with the sealant.

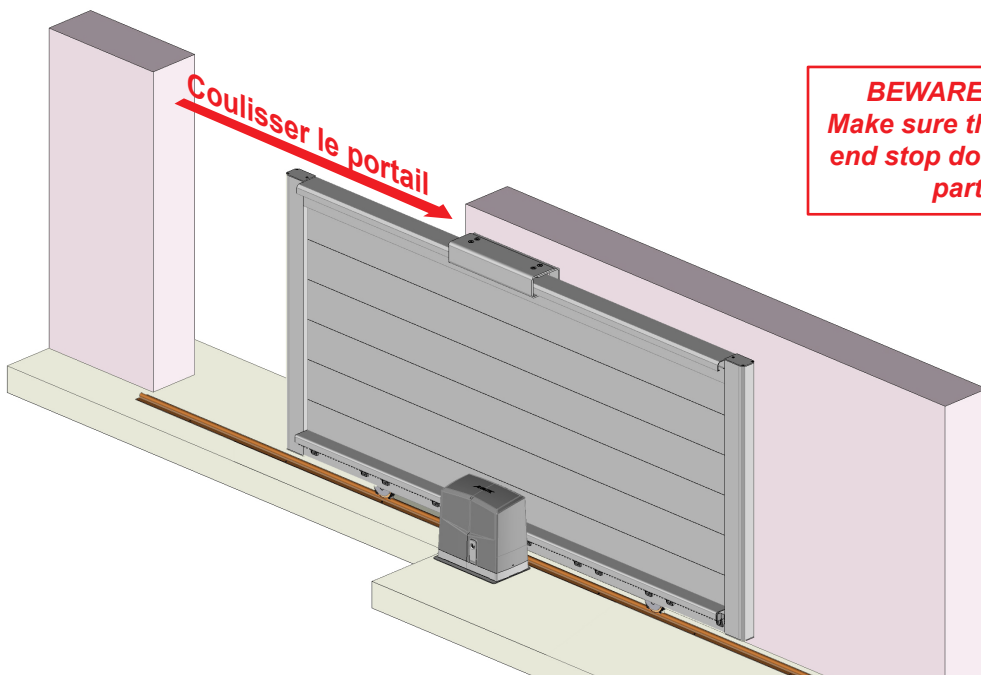


Unclog the engine.



Slide the gate to engage it on the motor.

Attention do not allow the gate to fall until the motor is finally fitted.

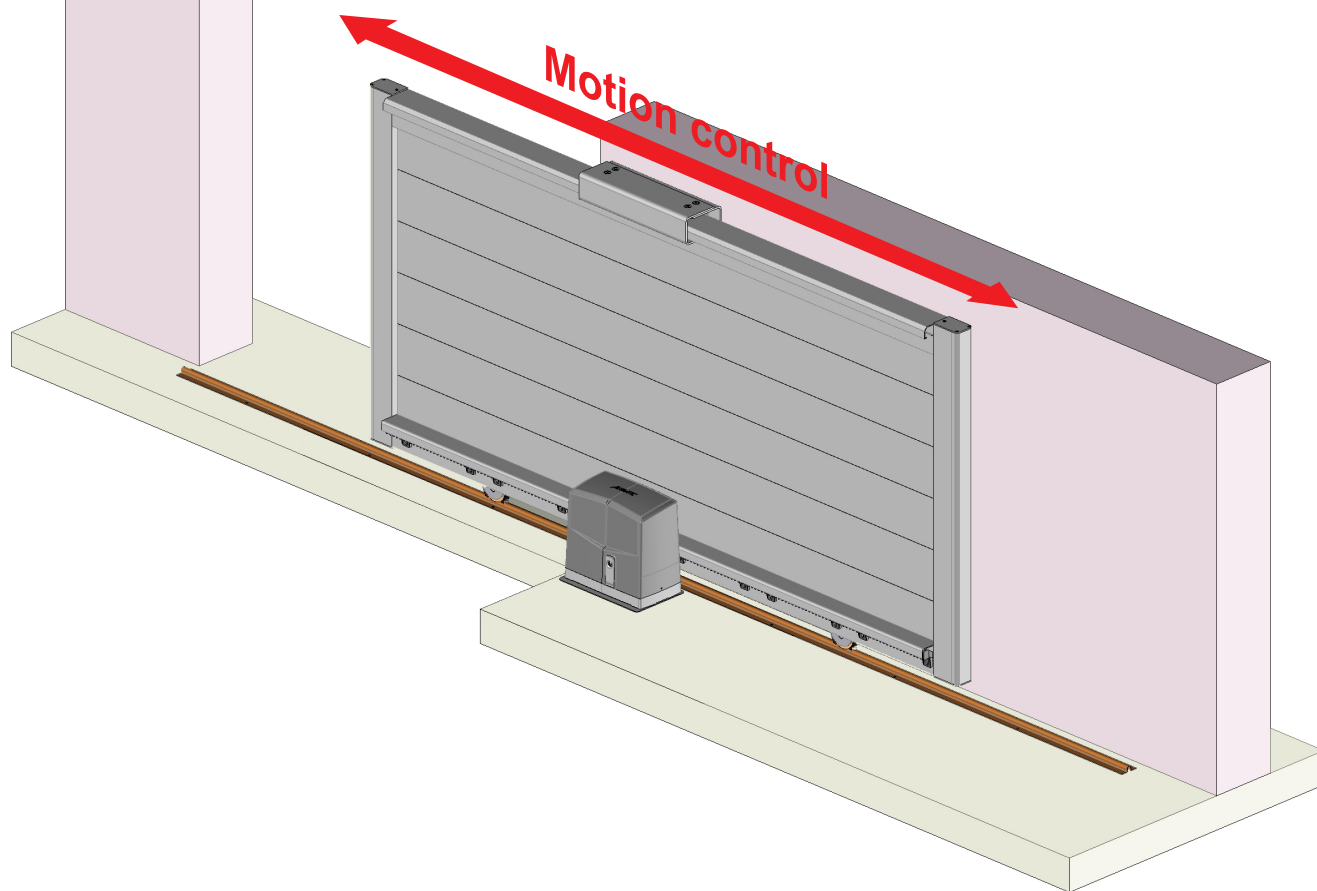


BEWARE OF COLLISIONS
Make sure that the motor and its end stop do not collide with any part of the gate.

16 Movement control.

Slide the gate to confirm the movement. Check the movement of the motor; the gate should slide effortlessly.

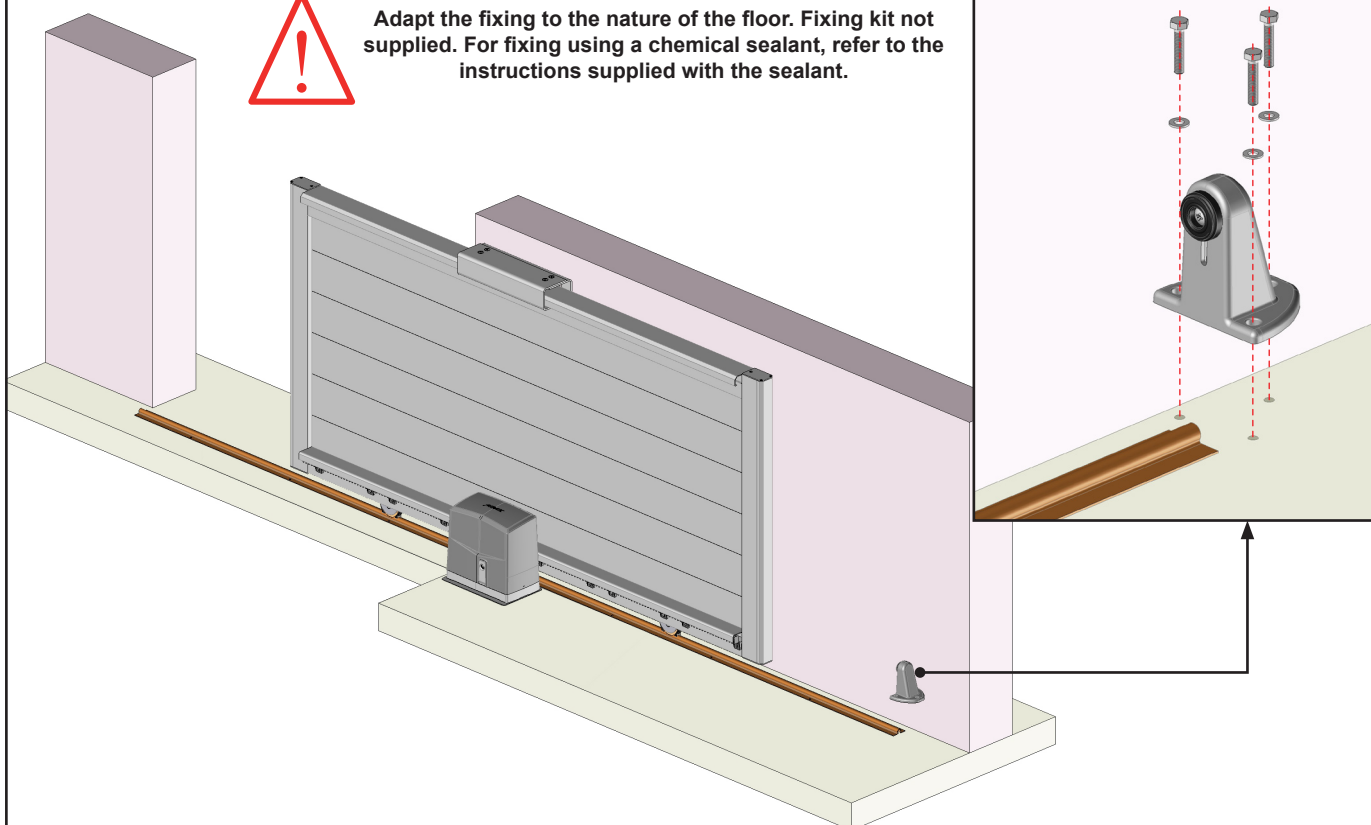
Attention do not allow the gate to fall until the motor is finally fitted.



17 Fitting the opening stop.

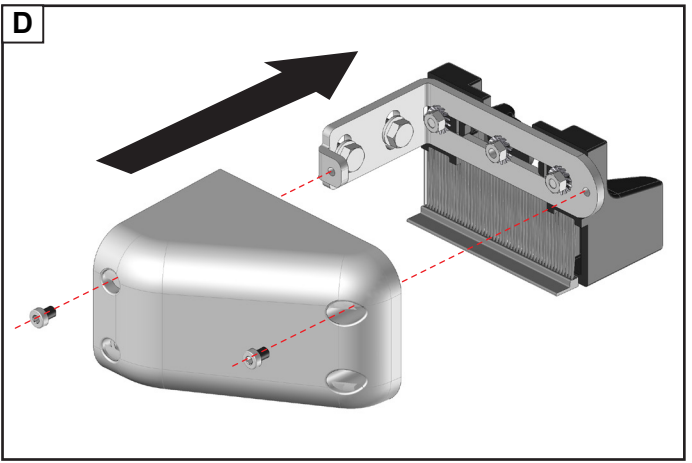
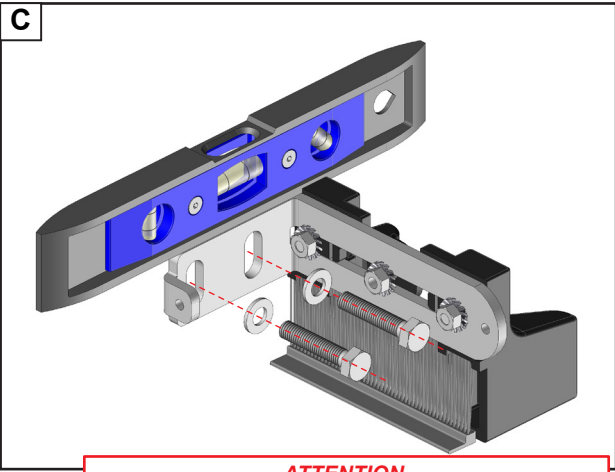
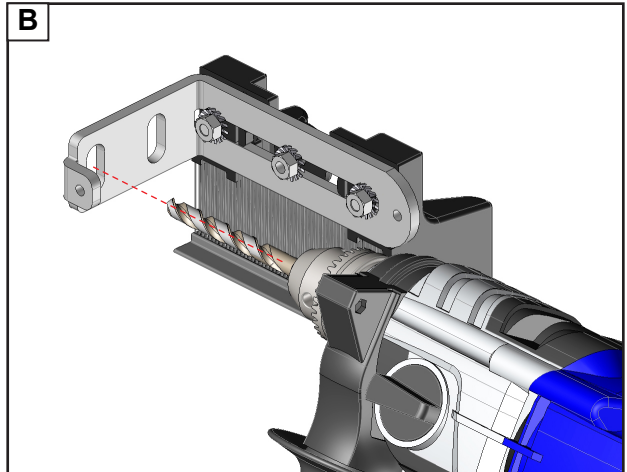
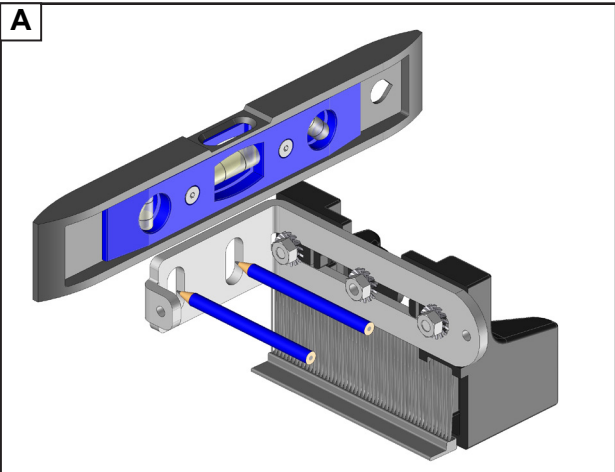
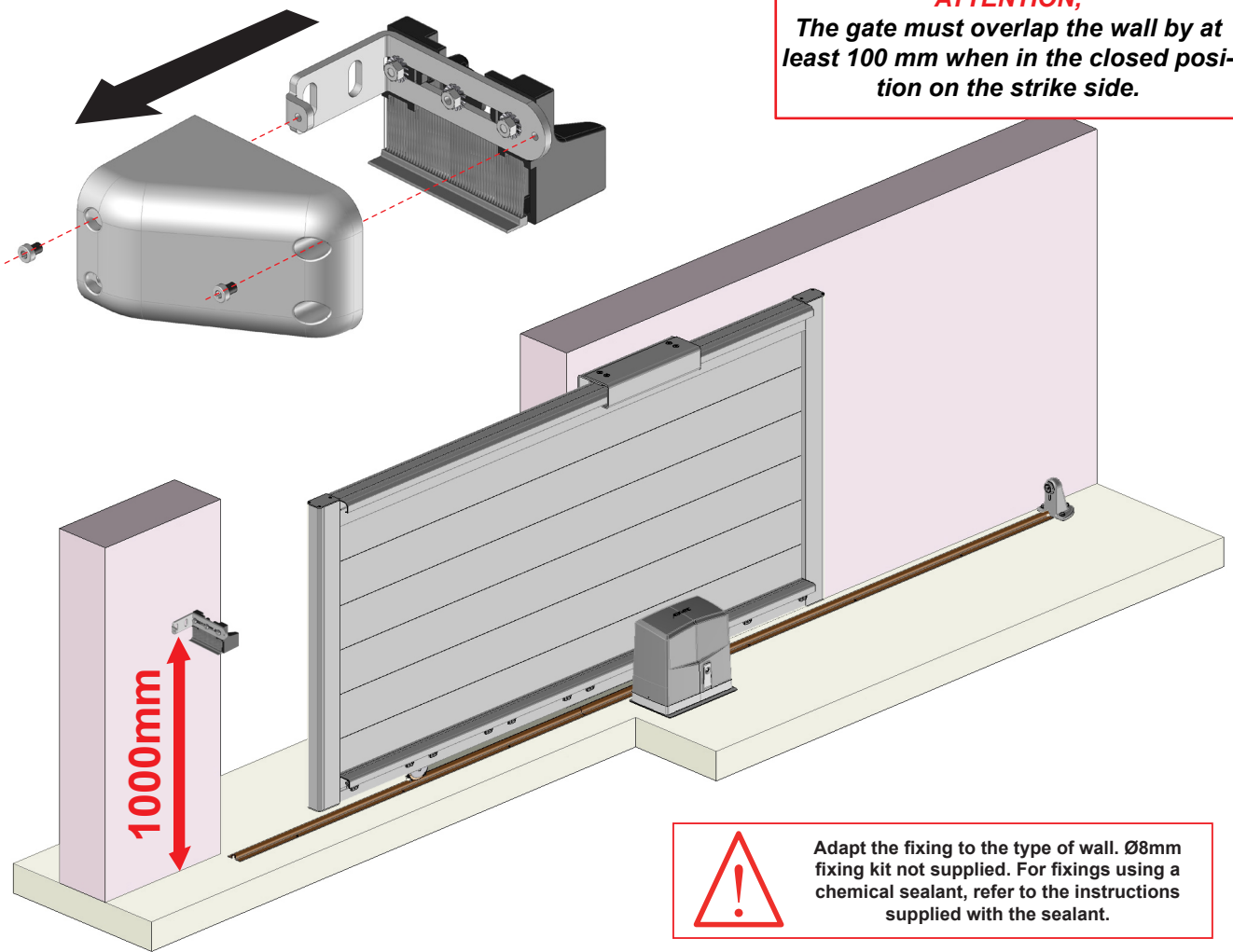


Adapt the fixing to the nature of the floor. Fixing kit not supplied. For fixing using a chemical sealant, refer to the instructions supplied with the sealant.



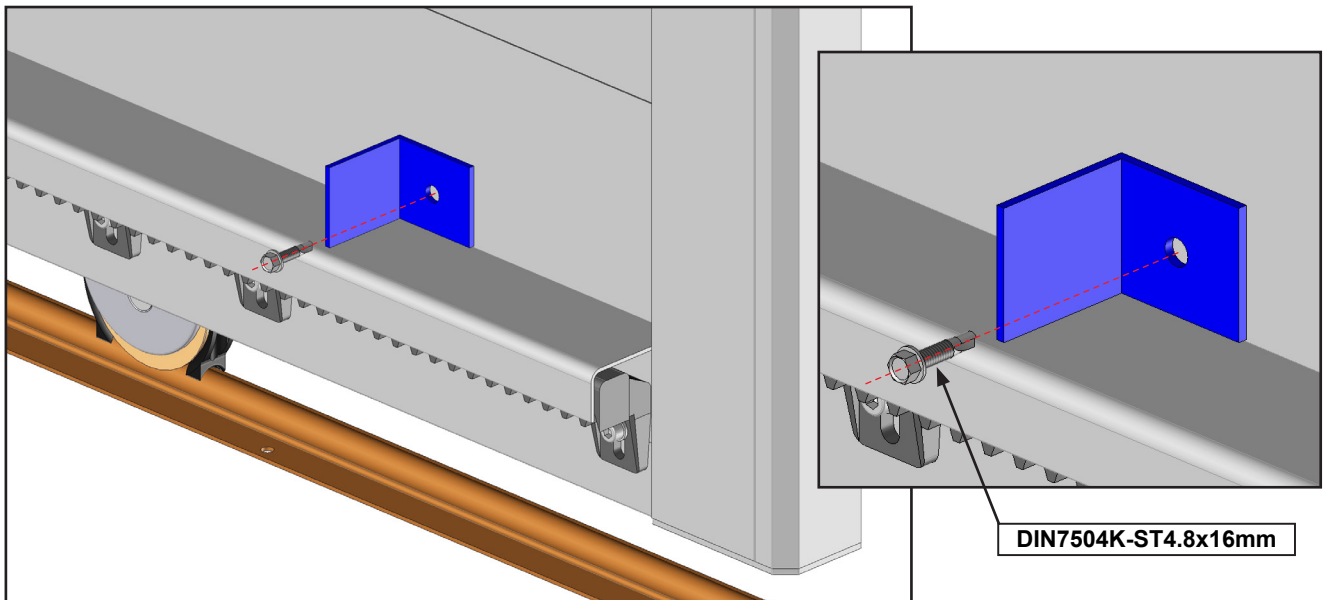
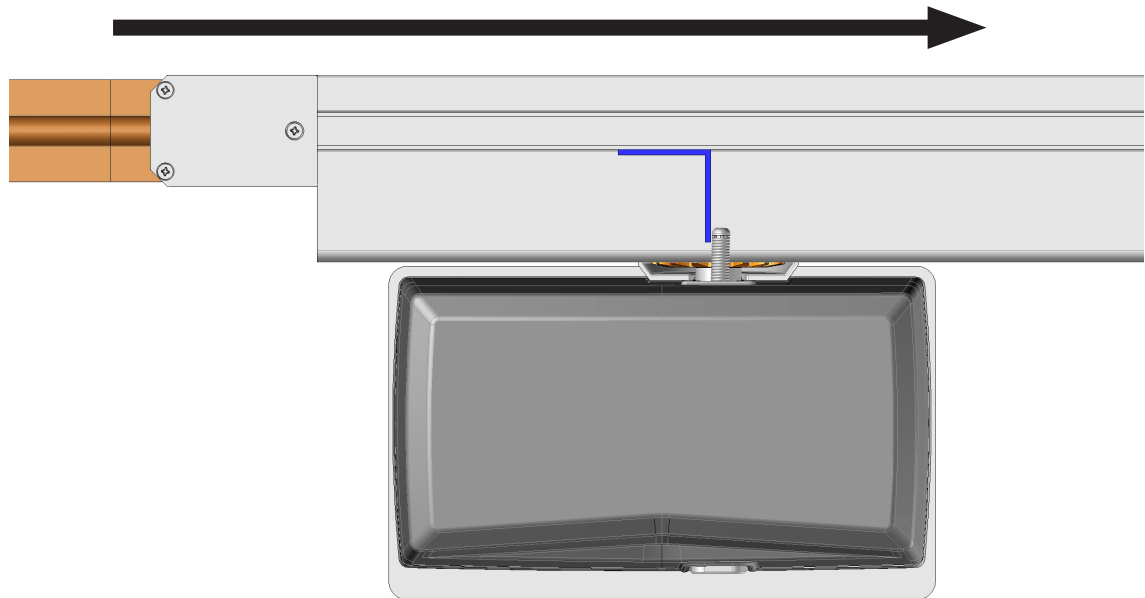
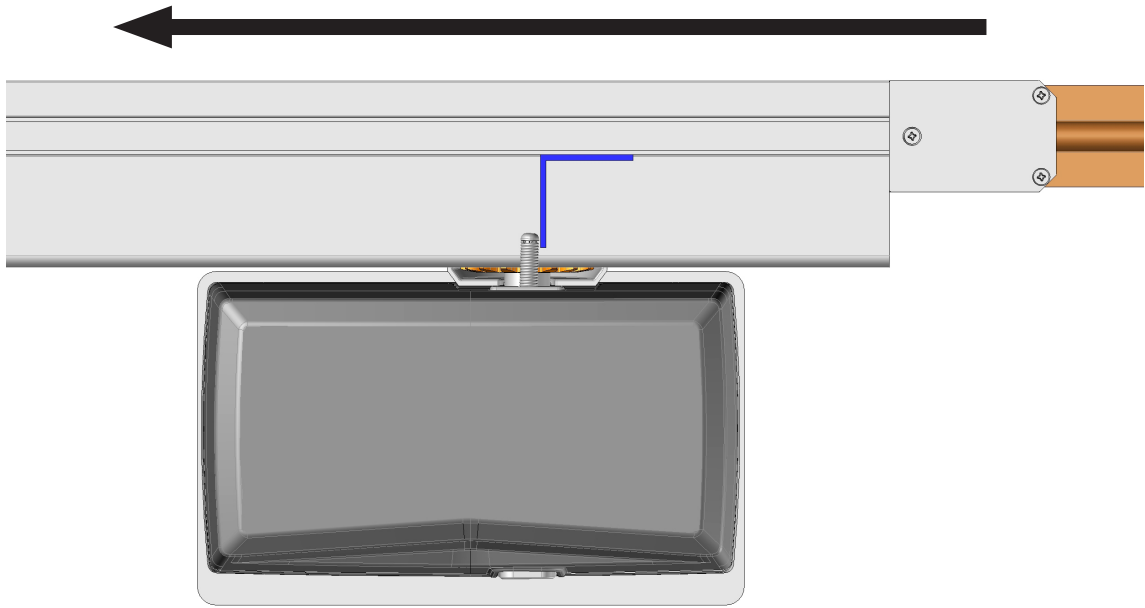
18 Fitting the lock striker.

ATTENTION,
The gate must overlap the wall by at least 100 mm when in the closed position on the strike side.

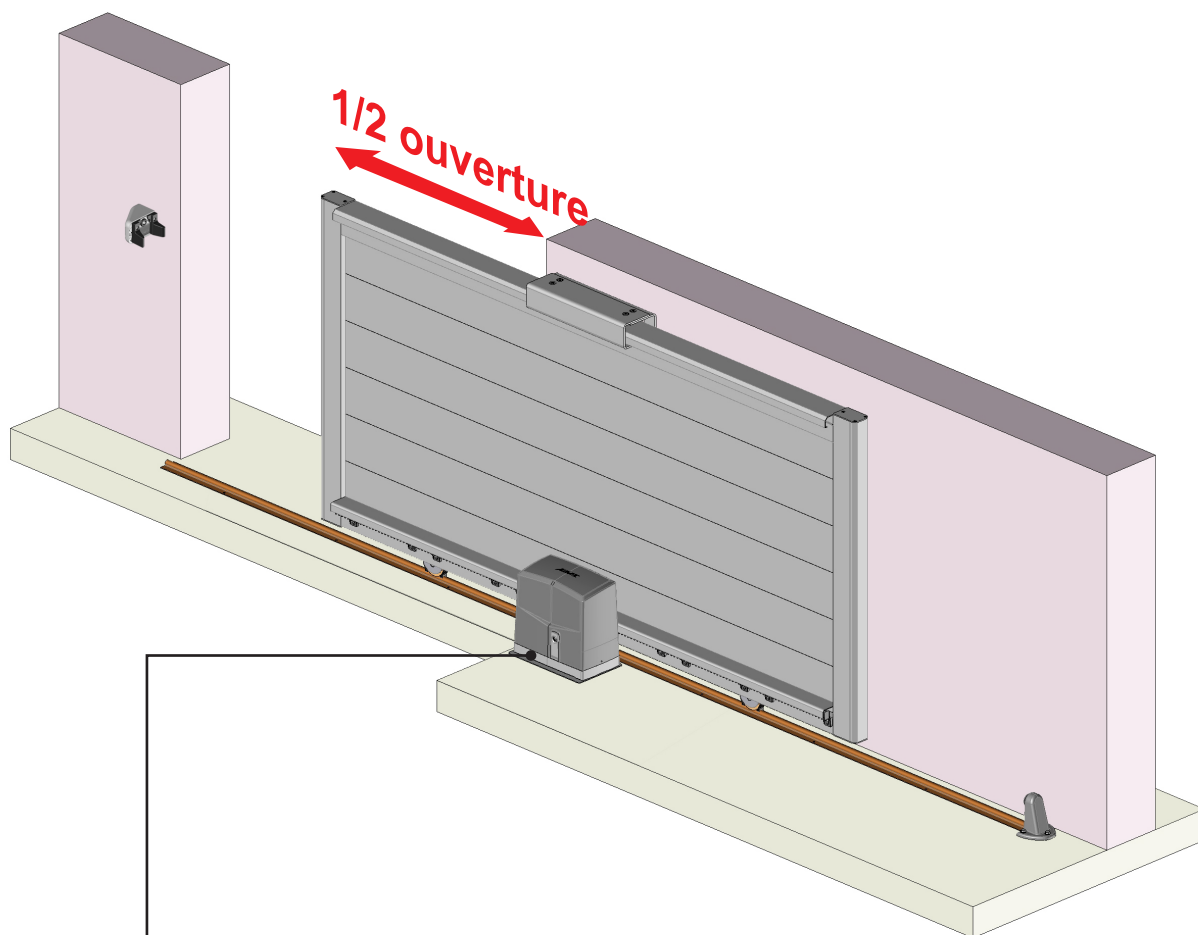


ATTENTION,
Make sure the guide piece is securely fastened.
Risk of falling

19 Fitting the mechanical motor stops.



20 Engine preparation.



Clamp the motor. Carry out the reverse operations in paragraph 16 on page 19.

21 Connection and programming.

Refer to the AUTOMO-SGATE230V manual supplied with the motorisation kit.

WARNING

- Never use the product before it has been fully secured. Before using the product, you must be sure that all the components have been installed and tightened correctly.
- Check that your wall or floor is level. In the case of a hollow or curved wall or floor, shim the parts or the rail so that they are correctly aligned. Incorrect alignment may cause the product to malfunction, break or fall.
- Do not operate the product when maintenance work is in progress. Disconnect the product from the power supply when maintenance operations are in progress.
- Do not allow children to play with the controls. Keep remote control devices out of the reach of children. Supervise your children to ensure that they do not play with the product or the remote control.
- Watch your fingers during installation.
- No changes to the design or configuration of the equipment should be made without prior consultation with the manufacturer.
- Never use accessories not recommended by the manufacturer. These could create risks for the user and damage the product. Only use original parts and accessories.
- If the product is to be stored, it must be stored under cover in a dry, dry environment.
- Do not use the product in areas subject to vibrations or impulses.
- Use the correct fixings for the material of your façade and floor. Ask a specialist for advice. Fixing hardware is not supplied.
- Do not unpack the product using tools that could scratch it.

PRODUCT USE :

- Never use the product if it is damaged.
- Only use this product for its intended purpose.
- We accept no liability for damage caused by incorrect use or failure to follow the instructions.
- Do not hang anything on the product's frame. It could fall and cause material damage and/or personal injury.
- Do not hang from the product's frame. It could fall and cause material damage and/or personal injury.
- Make sure that no foreign object can damage the product when it is opened or closed.
- Do not light a fire near the product.

REPAIR AND MAINTENANCE :

- Never attempt to dismantle or repair the product without the necessary qualifications. Call in a professional to carry out any necessary repairs.
- Do not use the product if a repair is required.
- Check the installation frequently throughout the year for poor balancing or signs of wear.
- Check the product's wall or floor fixings, clamping screws and any other components frequently throughout the year.
- Clean the frame at the beginning and end of the season. Do not use detergents.

ELECTRICAL PART :

- Before handling, make sure that the power supply is switched off. Danger of electrocution.
 - If the power cable is damaged, it must be replaced by a qualified person (after-sales service or electrician) to avoid danger. The power supply cable for this actuator may only be replaced with the same type of cable (same wire cross-section and same degree of protection).
 - Make sure that the actuator is not in a non-underwater area. The motor must never be immersed in water.
 - The electrical wires must be connected in accordance with the electrical standards in force in France (standard NF C 15100). If in doubt, contact an approved electrician.
 - Before connecting the product to a power source, check that the voltage of this power source and the rated voltage correspond to the power supply specifications in the manual.
 - Do not get the control box wet. The automated system must be positioned away from bad weather.
- Do not allow children to play with the control unit.
- Danger of explosion! NEVER incinerate, short-circuit, disassemble, charge or attempt to reactivate the batteries.
- Do not expose batteries to extreme temperatures. Do not place the remote control on a radiator. Battery acid leaks can cause damage.
- Replace used batteries with batteries of the same type only.
- Warning! Danger of explosion! Never insert batteries the wrong way round.
- If they leak, remove them from the battery compartment using a cloth.
- Dispose of your batteries in accordance with the regulations in force. In the event of acid leaking from the battery, avoid all contact with the skin, eyes and mucous membranes. Rinse the affected areas immediately after contact with the acid and rinse with plenty of water. Seek medical advice.
- Swallowing batteries can be fatal. Keep batteries out of the reach of children and pets. Consult a doctor immediately if you swallow a battery.
- Remove used batteries from the remote control. Remove the batteries from the remote control if you are not going to use them for a long time.
- The assigned number of cycles must not be exceeded.



PORT-COUL-PLEIN



**Installation instructions
FULL SLIDING GATE**